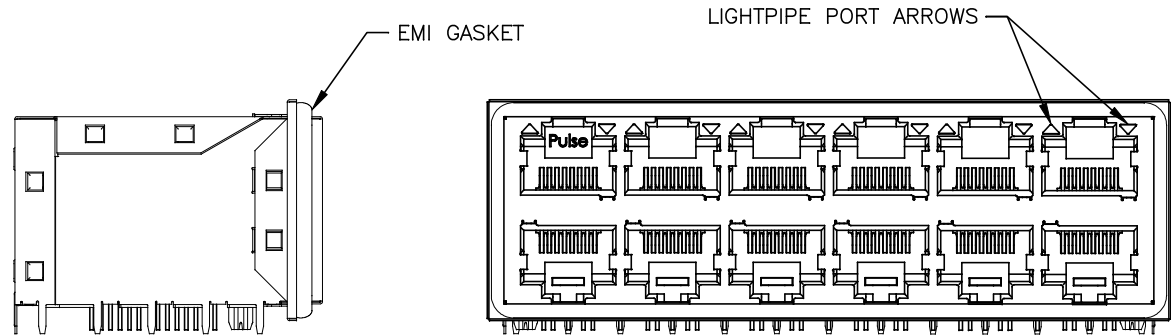
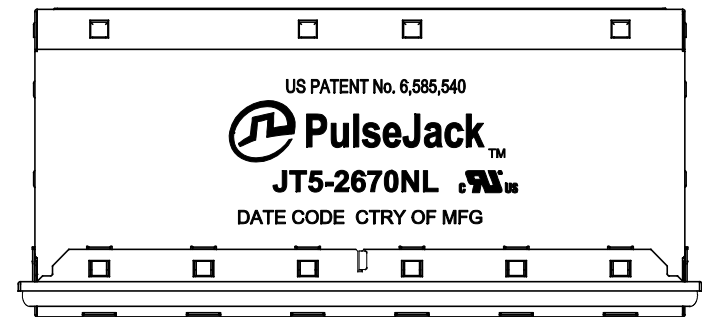


NOTES:

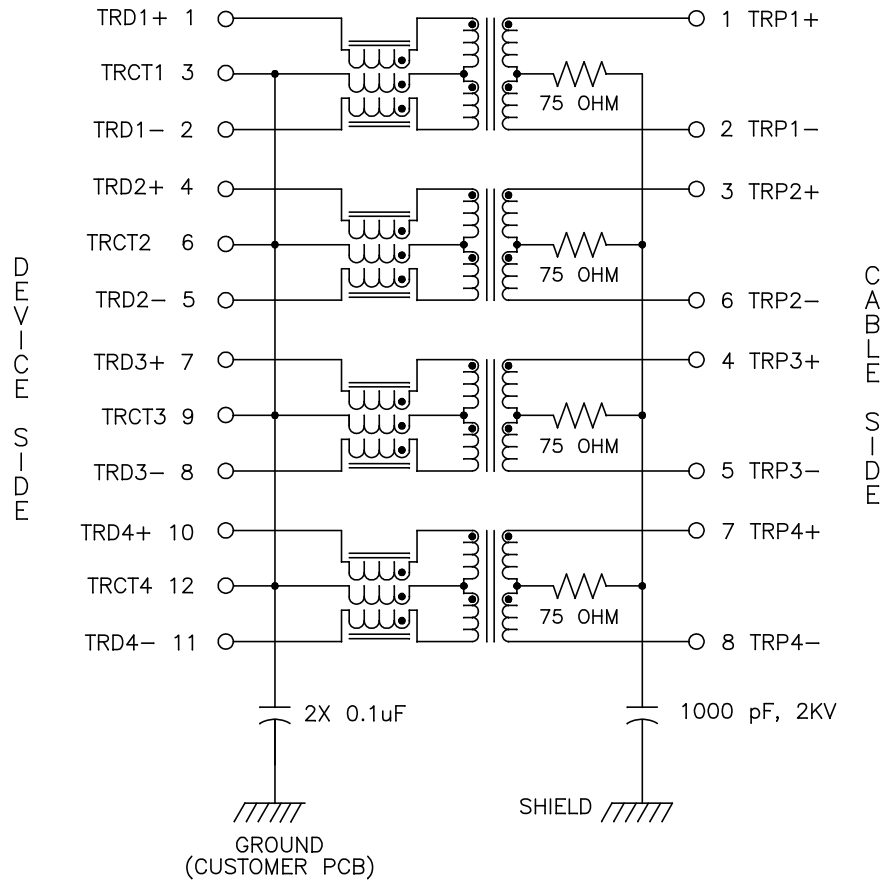
1. ROHS COMPLIANT.
2. PLASTIC HOUSING: THERMOPLASTIC MATERIAL WITH FLAMMABILITY RATING UL 94V-0 OR BETTER.
3. CONTACTS PLATING: 50 MICRO-INCH GOLD PLATING.
4. SIGNAL SOLDER PINS: TIN PLATED.
5. METAL SHIELD: NICKEL PLATED COPPER.
6. JACK CAVITY CONFORMS TO FCC PART 68 SUBPART F.
7. STORAGE TEMPERATURE: -20°C TO +125°C
8. COMPLIANT TO J-STD:
 - A. J-STD-002: SOLDERABILITY AT 245°C REFLOW PROFILE
 - B. J-STD-020: LEVEL 1, NO MOISTURE SENSITIVE
 - C. J-STD-075: W7, 270°C MAXIMUM THROUGH WAVE SOLDER
9. MAXIMUM SMT LED HEIGHT SHOULD NOT EXCEED 1.1mm.



FINAL OUTLINE

© Copyright, 2014. Pulse Electronics Corp. All rights reserved. Pulse confidential & proprietary. (08/13/14)

| PRODUCT DESCRIPTION | TLA DRAWING | PS DRAWING | SHEET | PART NO. | DATASHEET REV. |
|-------------------------|---------------|---------------|--------|------------|----------------|
| CONN,RJ45,2X6,10G,4C,SP | JT5-2670NL-10 | PS-2636.006-B | 1 OF 5 | JT5-2670NL | A |



SCHEMATIC
PER PORT

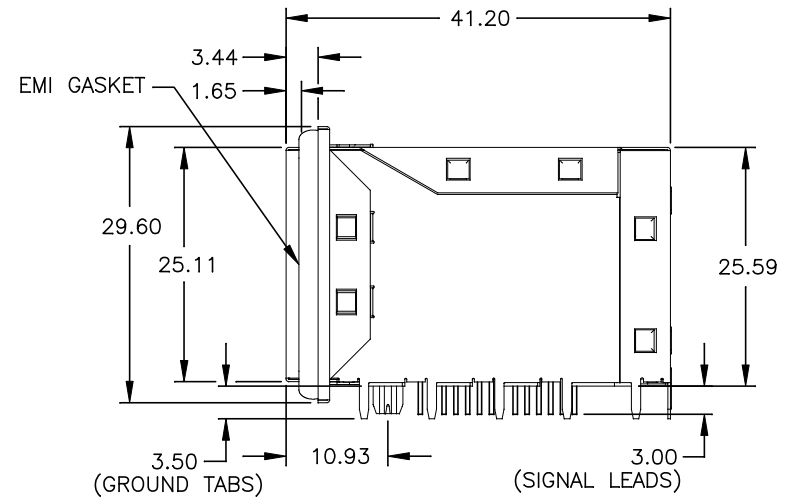
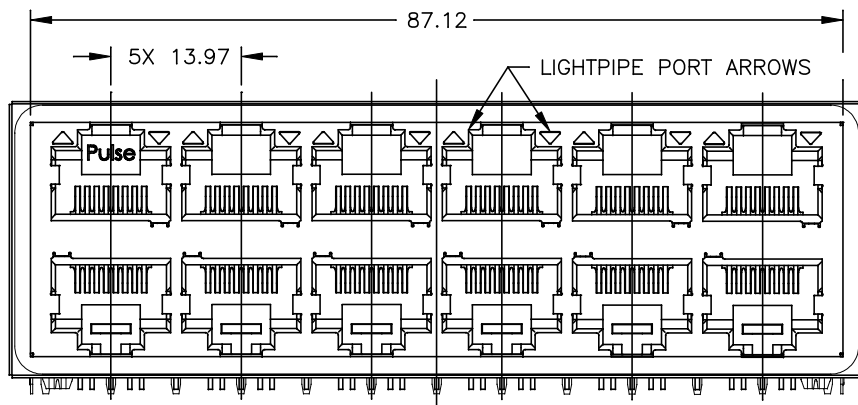
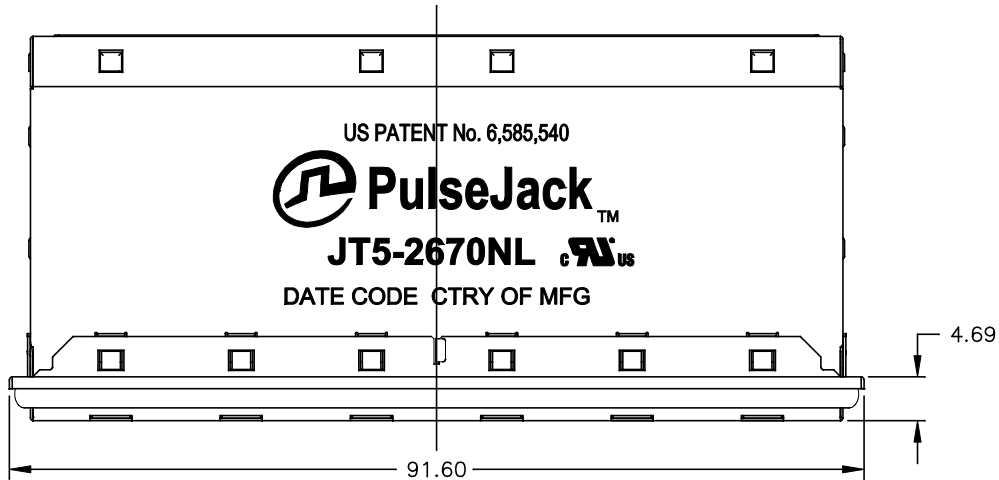
ELECTRICAL CHARACTERISTICS AT +25°C UNLESS OTHER SPECIFIED

| PARAMETER | SPECIFICATIONS | | |
|--|------------------------------|---------------------------|-------------|
| OPERATING TEMP | 0°C TO +70°C | | |
| TURNS RATIO | 1.00 ± 2% | | |
| POLARITY | PER SCHEMATIC | | |
| INSERTION LOSS | 100 KHz | 1-400 MHz | |
| | -3.0 dB MAX | -2.0 dB MAX (-1.4 dB TYP) | |
| RETURN LOSS (Z OUT = 100 OHM ± 1%) | 1-100 MHz | 100 MHz-500 MHz | |
| | -22 dB MIN | -22 + 20.75*LOG (f/100) | |
| INDUCTANCE (OCL) | 180 uH MIN @ 100 kHz, 100 mV | | |
| CROSSTALK, ADJACENT CHANNELS | 1-100 MHz | 100-500 MHz | |
| | -28 dB MIN | -19 dB MIN | |
| COMMON MODE REJECTION RATIO | 1-40 MHz | 40-100 MHz | 100-500 MHz |
| | -30 dB MIN | -28 dB MIN | -26 dB MIN |
| COMMON TO DIFFERENTIAL MODE REJECTION (CDMR) | 1-250 MHz | 250-500 MHz | |
| | -30 dB MIN | -22 dB MIN | |
| CURRENT CARRYING CAPABILITY, RJ45 PINS 1-8 | 500 mA MAX | | |
| INPUT - OUTPUT ISOLATION | 2250 VDC MIN @ 60 SECONDS | | |

NOTE: f IS FREQUENCY IN MHZ.

© Copyright, 2014. Pulse Electronics Corp. All rights reserved. Pulse confidential & proprietary. (08/13/14)

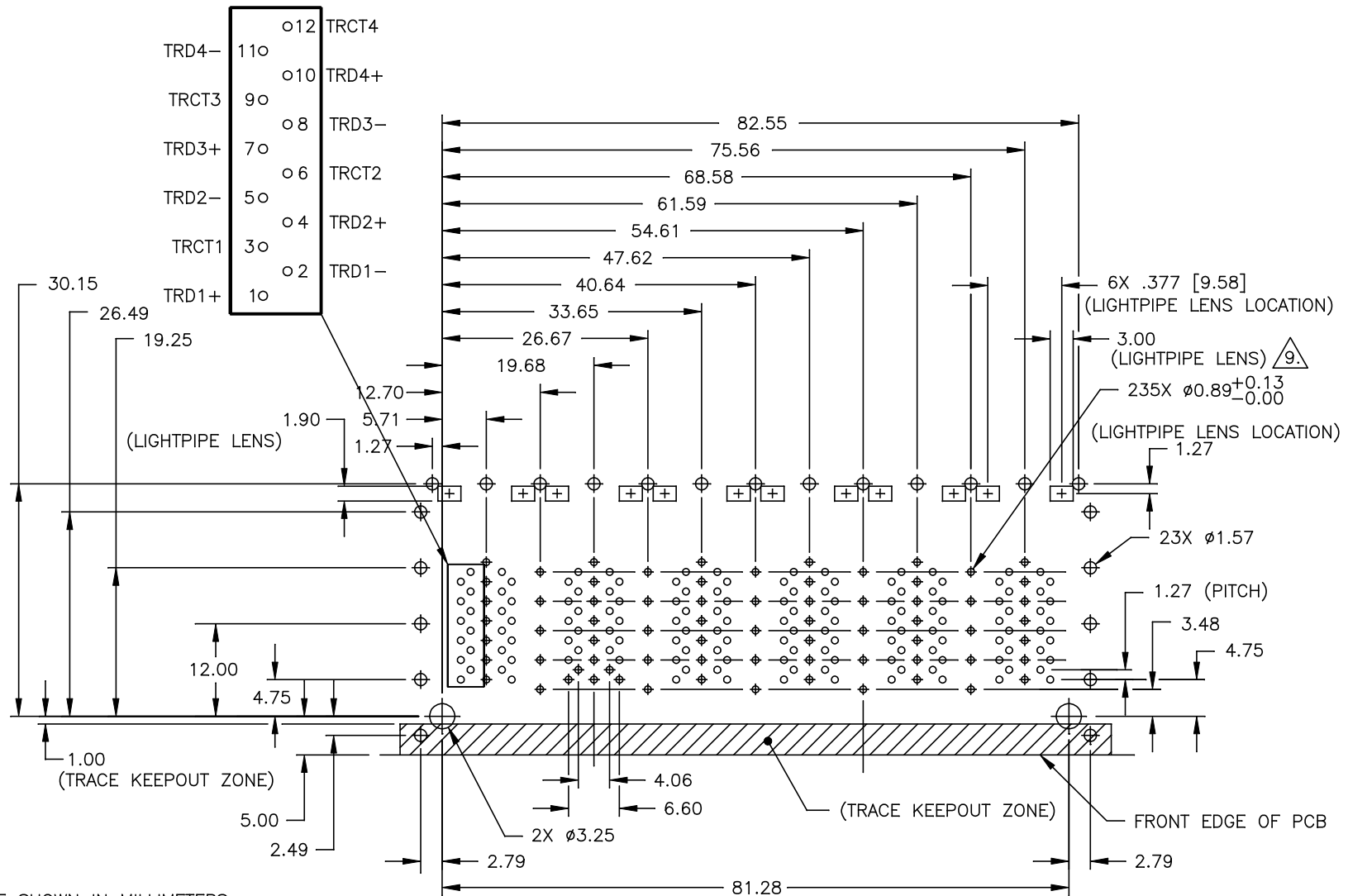
| PRODUCT DESCRIPTION | TLA DRAWING | PS DRAWING | SHEET | PART NO. | DATASHEET REV. |
|-------------------------|---------------|---------------|--------|------------|----------------|
| CONN,RJ45,2X6,10G,4C,SP | JT5-2670NL-10 | PS-2636.006-B | 2 OF 5 | JT5-2670NL | A |



ALL DIMENSION ARE SHOWN IN MILLIMETERS.
 UNLESS OTHERWISE SPECIFIED,
 THE FOLLOWING TOLERANCES APPLY:
 X.XX = ±0.25

© Copyright, 2014. Pulse Electronics Corp. All rights reserved. Pulse confidential & proprietary. (08/13/14)

| PRODUCT DESCRIPTION | TLA DRAWING | PS DRAWING | SHEET | PART NO. | DATASHEET REV. |
|-------------------------|---------------|---------------|--------|------------|----------------|
| CONN,RJ45,2X6,10G,4C,SP | JT5-2670NL-10 | PS-2636.006-B | 3 OF 5 | JT5-2670NL | A |

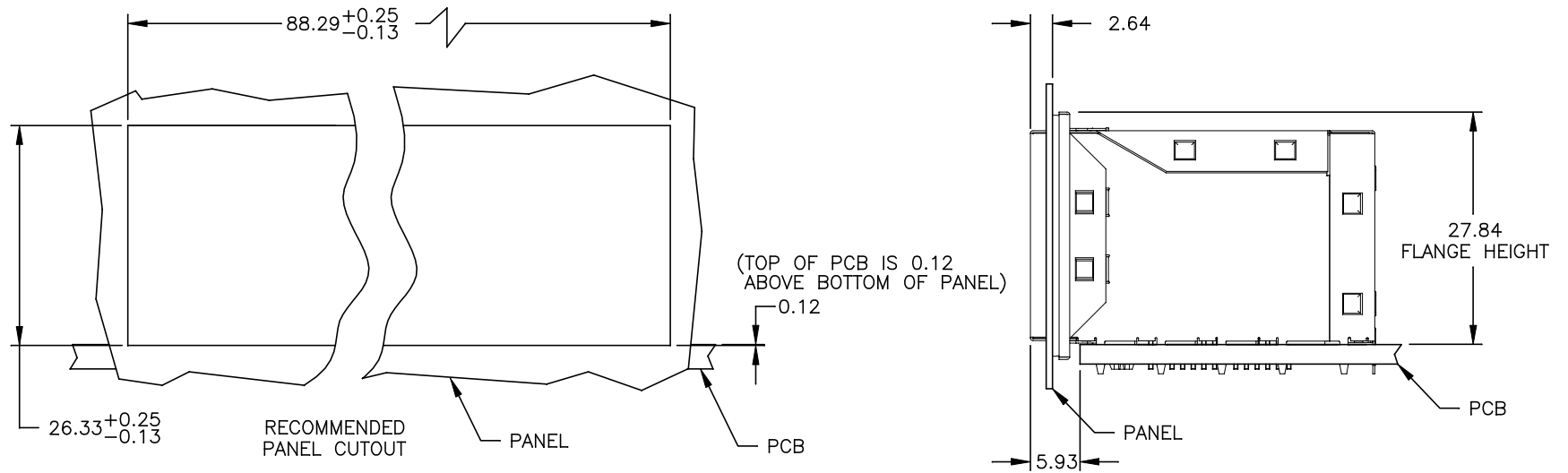


SUGGESTED FOOTPRINT (COMPONENT SIDE SHOWN)

ALL DIMENSION ARE SHOWN IN MILLIMETERS.
UNLESS OTHERWISE SPECIFIED,
THE FOLLOWING TOLERANCES APPLY:
X.XX = ± 0.05

© Copyright, 2014. Pulse Electronics Corp. All rights reserved. Pulse confidential & proprietary. (08/13/14)

| PRODUCT DESCRIPTION | TLA DRAWING | PS DRAWING | SHEET | PART NO. | DATASHEET REV. |
|-------------------------|---------------|---------------|--------|------------|----------------|
| CONN,RJ45,2X6,10G,4C,SP | JT5-2670NL-10 | PS-2636.006-B | 4 OF 5 | JT5-2670NL | A |



ALL DIMENSION ARE SHOWN IN MILLIMETERS.
UNLESS OTHERWISE SPECIFIED,
THE FOLLOWING TOLERANCES APPLY:
X.XX = ± 0.25

© Copyright, 2014. Pulse Electronics Corp. All rights reserved. Pulse confidential & proprietary. (08/13/14)

| PRODUCT DESCRIPTION | TLA DRAWING | PS DRAWING | SHEET | PART NO. | DATASHEET REV. |
|-------------------------|---------------|---------------|--------|------------|----------------|
| CONN,RJ45,2X6,10G,4C,SP | JT5-2670NL-10 | PS-2636.006-B | 5 OF 5 | JT5-2670NL | A |