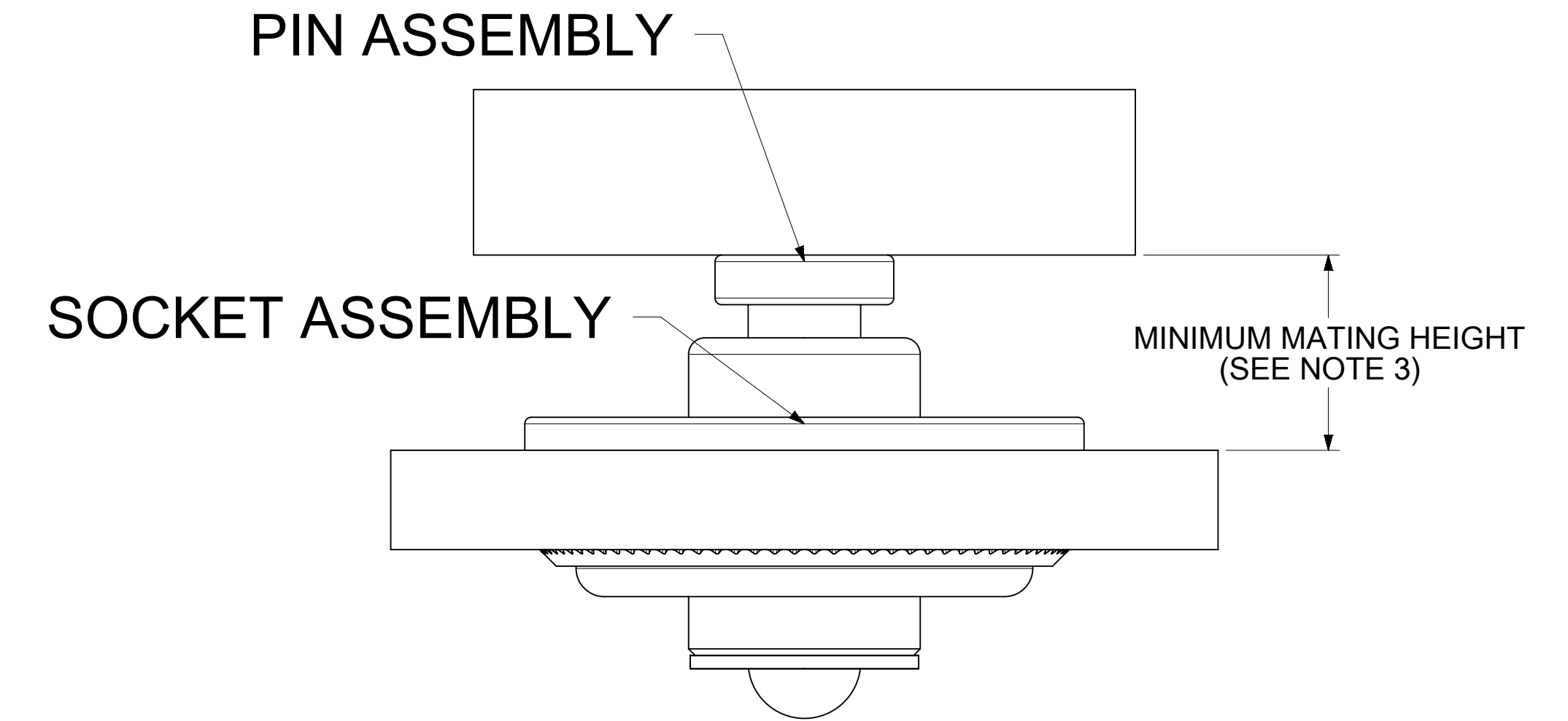


SECTION A-A



MATING PROFILE

NOTES:

1. MATERIALS: COPPER ALLOY
RETENTION CAP: STAINLESS STEEL
2. PLATING:
 - i. CONTACT AREA: GOLD.
 - ii. REST AREA: SILVER WITH TARNISH INHIBITOR
3. MATES WITH THE STANDARD PIN DRAWINGS:
 - i. 3.4MM SMT DRAWING 2032631134-SD, MIN MATING DISTANCE 5.9MM
 - ii. 3.4MM PRESS FIT DRAWING 2032630034-SD, MIN MATING DISTANCE 6.15MM
4. PRODUCT SPECIFICATION: 2043130018-PS
5. APPLICATION SPECIFICATION: 2043130018-AS
6. PACKAGING SPECIFICATION: 2043130018-PK
7. SILVER COMPONENTS WILL BE SUPPLIED TARNISH FREE BUT MAY TARNISH OVER TIME.
8. DATE CODE TO BE LASER MARKED APPROXIMATELY WHERE SHOWN USING DDYY FORMAT

THIS DRAWING CONTAINS INFORMATION THAT IS PROPRIETARY TO MOLEX ELECTRONIC TECHNOLOGIES, LLC AND SHOULD NOT BE USED WITHOUT WRITTEN PERMISSION									
DIMENSION UNITS		SCALE		CURRENT REV DESC: UPDATED THE TITLE BLOCK					
mm		NTS							
GENERAL TOLERANCES (UNLESS SPECIFIED)									
ANGULAR TOL				±		°			
4 PLACES		±		EC NO: 747243					
3 PLACES		±		DRWN: SACHIK7		2023/02/28			
2 PLACES		± 0.15		CHK'D: SCS02		2023/04/25			
1 PLACE		± 0.25		APPR: HTHYAGARAJ		2023/04/26			
0 PLACES		±		INITIAL REVISION:					
				DRWN: JJONIAK		2017/08/04			
				APPR: BPISZCZOR		2019/05/30			
DRAFT WHERE APPLICABLE MUST REMAIN WITHIN DIMENSIONS				THIRD ANGLE PROJECTION		DRAWING		SERIES	
				D-SIZE		204313			
				MATERIAL NUMBER		CUSTOMER		SHEET NUMBER	
				2043130018		GENERAL MARKET		1 OF 1	

molex

3.4MM CENTRALITY TOP ENTRY PRESS-FIT SOCKET WITH FLOAT IN TRAY

PRODUCT CUSTOMER DRAWING

DOCUMENT NUMBER: 2043130018-SD
DOC TYPE: PSD
DOC PART: 000
REVISION: B2