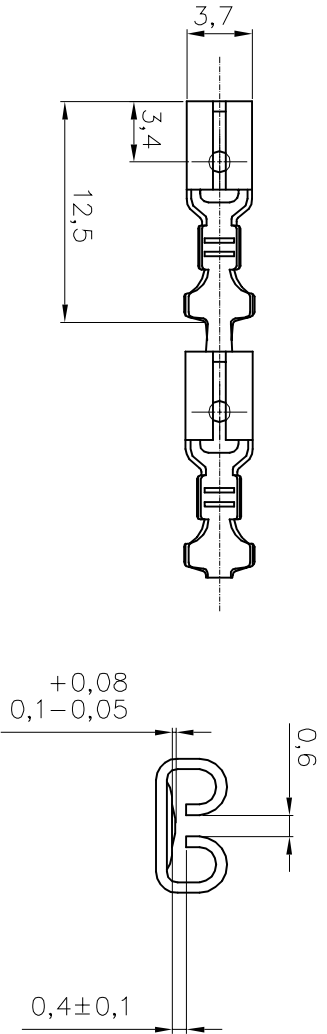


THIS INFORMATION IS CONFIDENTIAL AND PROPRIETARY TO TYCO ELECTRONICS CORPORATION AND ITS WORLDWIDE SUBSIDIARIES AND AFFILIATES. IT MAY NOT BE DISCLOSED TO ANYONE, OTHER THAN TYCO ELECTRONICS PERSONNEL WITHOUT WRITTEN AUTHORIZATION FROM TYCO ELECTRONICS CORPORATION, HARRISBURG, PENNSYLVANIA USA.

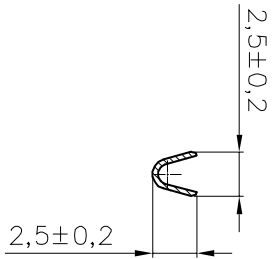
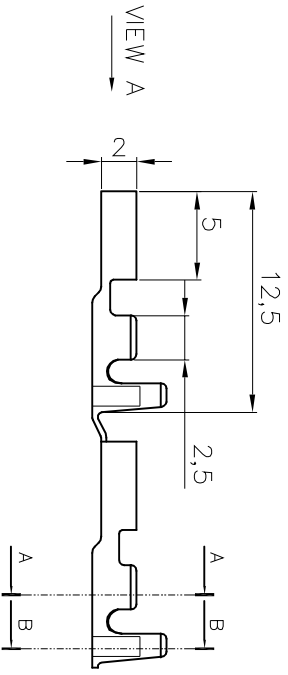
DIST	LOC	P LTR	REVISION/RECORD	DATE	DWN	APVD
EC						

12 11 10 9 8 7 6 5 4 3 2 1

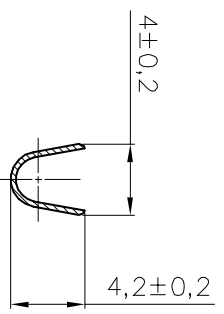


VIEW A
2:1

- NOTES:
1. MATERIAL: COPPER ALLOY.
 2. STRIP THICKNESS: 0.3 mm.
 3. CONTINUOUS STRIP ON REELS.
 4. APPLICATION DATA:
 5. WIRE: 0.3~0.8 mm² (AWG#18 ~ AWG#22).
 6. INSULATION: Ø 2.8 mm MAX.



SECTION A-A



SECTION B-B

TOLERANCES UNLESS OTHER SPECIFIED:		DR	DATE	DATE	MATERIAL	
0 PLC	± 0.20	DR	28-9-2004	DATE	28-9-2004	FINISH
1 PLC	± 0.15	CHK	BOBIS WONG	DATE	28-9-2004	BARE
2 PLC	± 0.15	APP'D	S. F. SHUM	DATE	28-9-2004	1494219-1
3 PLC	±	PRODUCT SPEC		APPLICATION SPEC		FINISH
4 PLC	±	108-58801		114-58800		P/N
ANGLE	±	RESTRICTED TO		SCALE		DWG NO.
		1:1		A5		C-1494219
DIMENSIONS IN mm			SHEET		REV	
110 FASTON RECEPTACLE			1 OF 1		0	
Tyco Electronics Hong Kong Limited 5, Canton Rd, Tsimshoai Kowloon Hong Kong						

12 11 10 9 8 7 6 5 4 3 2 1

A B C D E F G H

A B C D E F G H