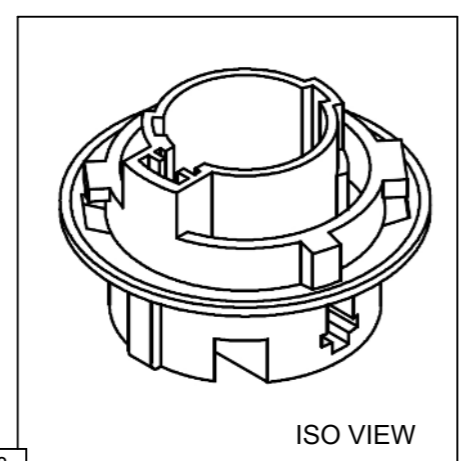
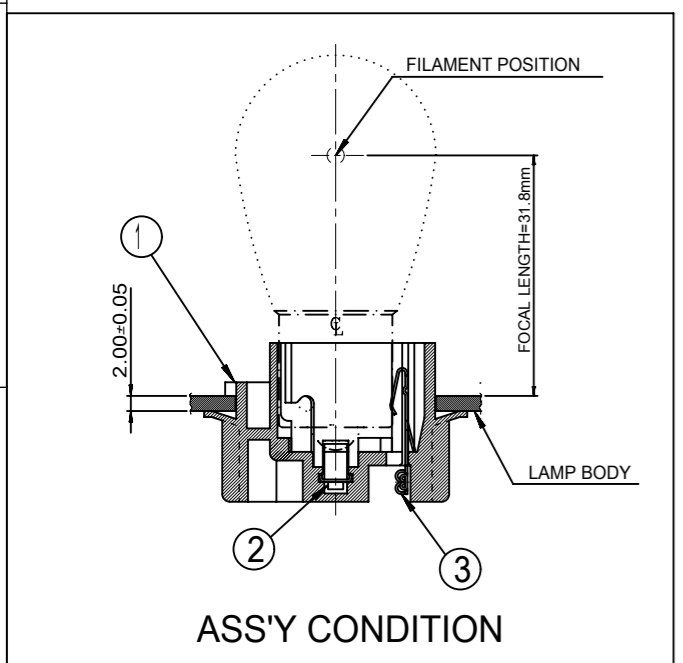


- NOTES**
1. FOCAL LENGTH = 31.8mm
  2. APPLICABLE BULB CAP: PY21W(BAU15s)
  3. MATES WITH

NO.	DESCRIPTION	MATERIAL	ORDER NO.	REMARK
②	POSITIVE TERMINAL	PHOSPHOR BRONZE	35438-8000	UNPLATED
③	EARTH TERMINAL	PHOSPHOR BRONZE	35439-8000	UNPLATED

**<PART LIST>**

NO.	DESCRIPTION	MATERIAL	USAGE	REMARK
①	SINGLE SOCKET	PA66	1	B TYPE



**<TABLE 1>**

MATERIAL NO.	ORDER NO.	COLOR
355330215	35533-0215	GRAY
355330216	35533-0216	WHITE

THIS DRAWING CONTAINS INFORMATION THAT IS PROPRIETARY TO MOLEX ELECTRONIC TECHNOLOGIES, LLC AND SHOULD NOT BE USED WITHOUT WRITTEN PERMISSION

DIMENSION UNITS <b>MM</b>	SCALE <b>1:1</b>	CURRENT REV DESC: OBSOLETE PART NUMBER.	<b>molex</b>		
GENERAL TOLERANCES (UNLESS SPECIFIED)					
4 PLACES ±	MM	INCH	NON-SEALED BULB SOCKET SINGLE HOUSING ASS'Y (B-TYPE)		
3 PLACES ±			PRODUCT CUSTOMER DRAWING		
2 PLACES ± 0.2			DOCUMENT NUMBER		
1 PLACE ± 0.3			DOC TYPE DOC PART REVISION		
0 PLACES ±			<b>SD-35533-002</b>		
ANGULAR TOL ± 3.0°			PSD	001	J
DRAFT WHERE APPLICABLE MUST REMAIN WITHIN DIMENSIONS	THIRD ANGLE PROJECTION	DRAWING	SERIES	MATERIAL NUMBER	CUSTOMER
		<b>A3-SIZE</b>	<b>35533</b>	SEE TABLE 1	GENERAL MARKET
					SHEET NUMBER
					<b>1 OF 1</b>