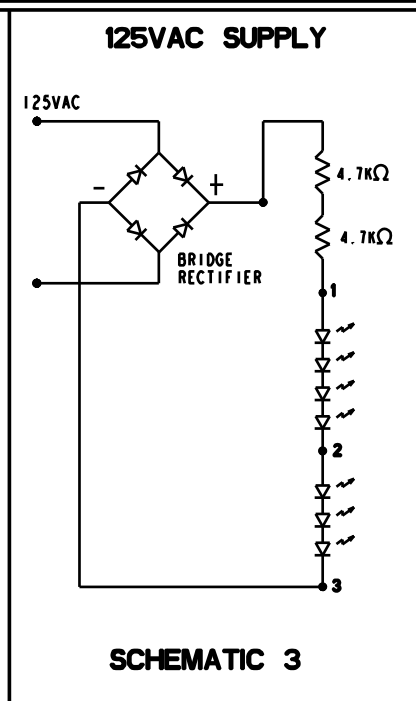
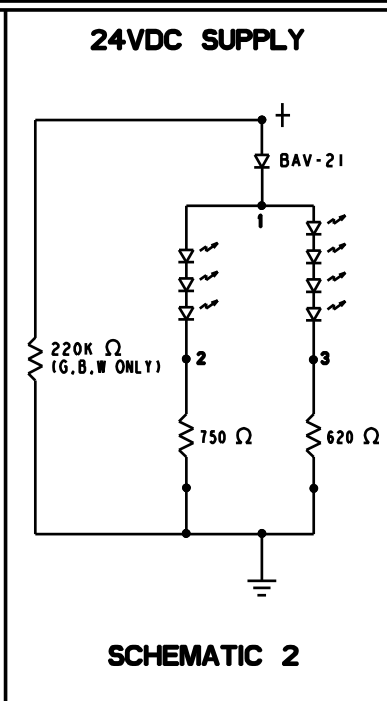
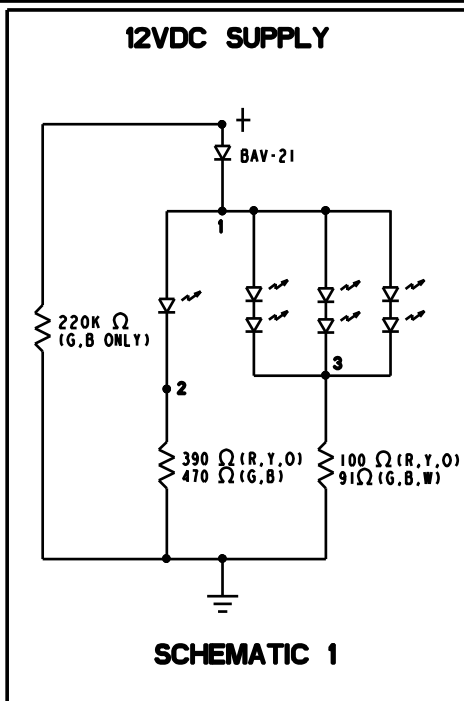
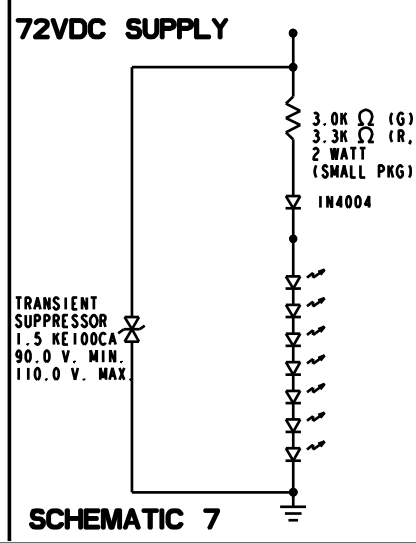
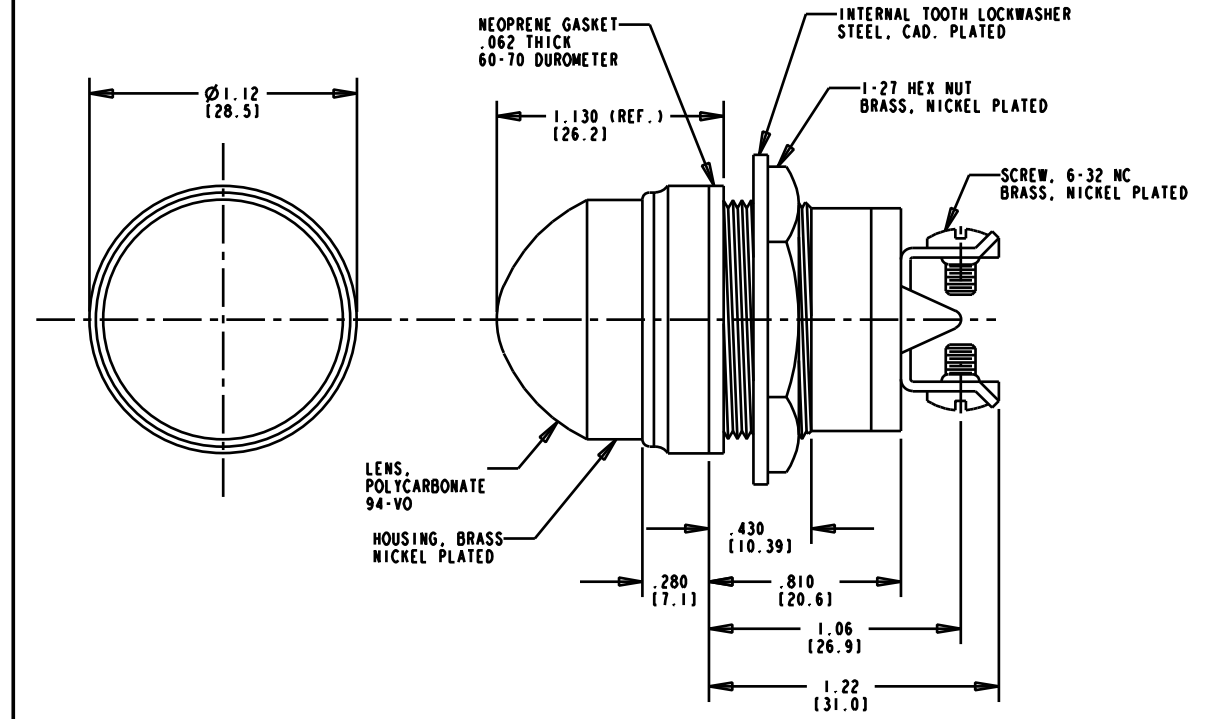
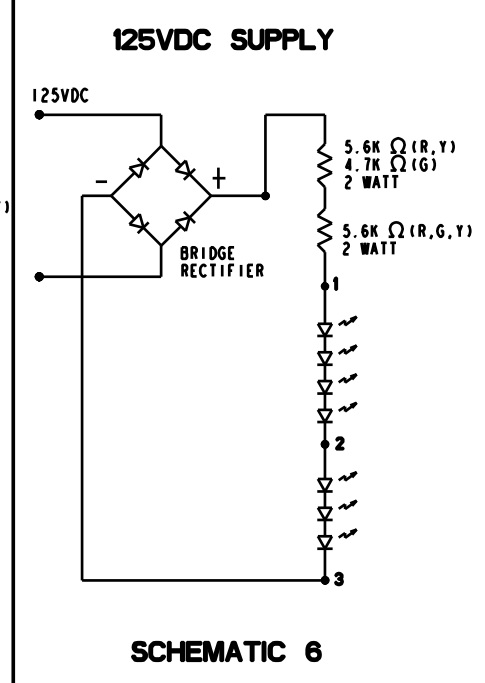
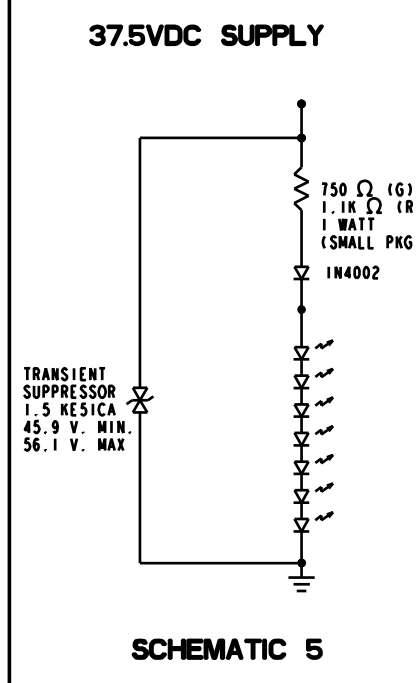
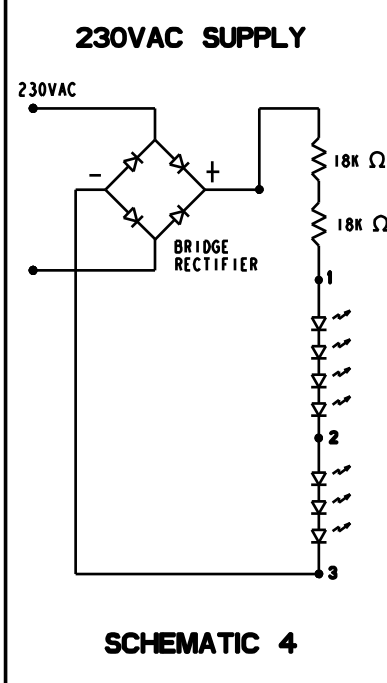


PART NUMBER	LED COLOR	NOMINAL RATING	INTENSITY (fL) • TYP VOLTAGE	CURRENT (mA)	SCHEMATIC DIAGRAM
556-3003-304	WHITE	12 VDC	1200	60	1
556-3503-304	RED	12 VDC	1300	95	1
556-3603-304	GREEN	12 VDC	1800	60	1
556-3683-304	BLUISH GREEN	12 VDC	1800	60	1
556-3703-304	YELLOW	12 VDC	1300	95	1
556-3803-304	BLUE	12 VDC	480	60	1
556-3903-304	ORANGE	12 VDC	480	95	1
556-3004-304	WHITE	24 VDC	1200	31	2
556-3504-304	RED	24 VDC	1300	46	2
556-3604-304	GREEN	24 VDC	1800	32	2
556-3684-304	BLUISH GREEN	24 VDC	1800	32	2
556-3704-304	YELLOW	24 VDC	1300	46	2
556-3804-304	BLUE	24 VDC	480	32	2
556-3904-304	ORANGE	24 VDC	480	46	2
556-3508-304	RED	37.5 VDC	1000	20	5
556-3608-304	GREEN	37.5 VDC	1000	20	5
556-3708-304	YELLOW	37.5 VDC	1000	20	5
556-3506-304	RED	72 VDC	1000	20	7
556-3606-304	GREEN	72 VDC	1000	20	7
556-3706-304	YELLOW	72 VDC	1000	20	7
556-3005-304	WHITE	125 VAC	700	9.5	3
556-3505-304	RED	125 VAC	500	10.5	3
556-3605-304	GREEN	125 VAC	700	9.5	3
556-3685-304	BLUISH GREEN	125 VAC	700	9.5	3
556-3705-304	YELLOW	125 VAC	500	10.5	3
556-3805-304	BLUE	125 VAC	180	9.5	3
556-3905-304	ORANGE	125 VAC	180	10.5	3
556-3507-304	RED	125 VDC	700	10	6
556-3607-304	GREEN	125 VDC	1000	10	6
556-3707-304	YELLOW	125 VDC	700	10	6
556-3009-304	WHITE	230 VAC	700	7	4
556-3509-304	RED	230 VAC	500	7	4
556-3609-304	GREEN	230 VAC	700	7	4
556-3709-304	YELLOW	230 VAC	500	7	4
556-3809-304	BLUE	230 VAC	180	7	4
556-3909-304	ORANGE	230 VAC	180	7	4



REV.	ECN NO.	REVISIONS	DRN.	CKD.	APP.	DATE
A	—	NEW RELEASE	DC	YC	N.O.	7-29-99
B	—	ADDED P/N 556-3509-304, 556-3609-304, 556-3709-304 AND SCHEMATIC 4.	DC	HK	N.O.	8-11-00
C	—	ADDED P/N 556-3004-304	DC	CY	N.O.	8-31-01
D	—	ADDED P/N 556-3809-304, 3909-304, 3508-304, 3608-304, 3708-304, 3803-304, 3905-304, 3909-304, 3907-304, 3601-304, 3707-304. REVISED 556-3804-304 TO 1200 FL WAS 2000 FL, 556-3903-304 TO 480 FL WAS 1300 FL, & 556-3905-304 TO 180 FL WAS 500 FL.	YIS	AV	N.O.	10-28-02
E	—	ADDED 556-3683-304, 556-3684-304, 556-3685-304; REVISED SCHEMATIC 3	JMC	GZ	YC	6-7-03
F	—	ADDED 556-3506-304, 556-3606-304, AND 556-3706-304	JAV			



- NOTES:
1. PRODUCT IS WATER SEALED FROM FRONT OF PANEL.
 2. MAXIMUM MOUNTING TORQUE: 40 IN-LB.
 3. FRONT MOUNTING IN 1 INCH CLEARANCE HOLE.

THIS DRAWING AND THE CONTENTS HEREIN ARE CONFIDENTIAL AND THE SOLE PROPERTY OF DIALIGHT. REPRODUCTION OF THIS DRAWING OR CONSTRUCTION OF ANY PARTS WITHIN THIS DRAWING ARE FORBIDDEN WITHOUT THE WRITTEN CONSENT OF DIALIGHT.		
SCALE 2:1	DRAWING NUMBER	REV
ALL DIM'S IN: INCHES	C-16572	F
TOLERANCES: UNLESS OTHERWISE SPECIFIED	TITLE	
FRACTIONS: ±1/64	LED PMI FOR 1" MOUNTING HOLE	
DECIMALS (.XXX): ±.020	MATERIAL	
DECIMALS (.XXXX): ±.015	Dialight	
ANGLES: ±3°	1501 ROUTE 34 SOUTH FARMINGDALE, NJ 07727	
FINISH:	SHEET	OF FAMILY TABLES:
FSCN 83330		