

PROPER USE GUIDELINES

Cumulative Trauma Disorders can result from the prolonged use of manually powered hand tools. Hand tools are intended for occasional use and low volume applications. A wide selection of powered application equipment for extended-use, production operations is available.

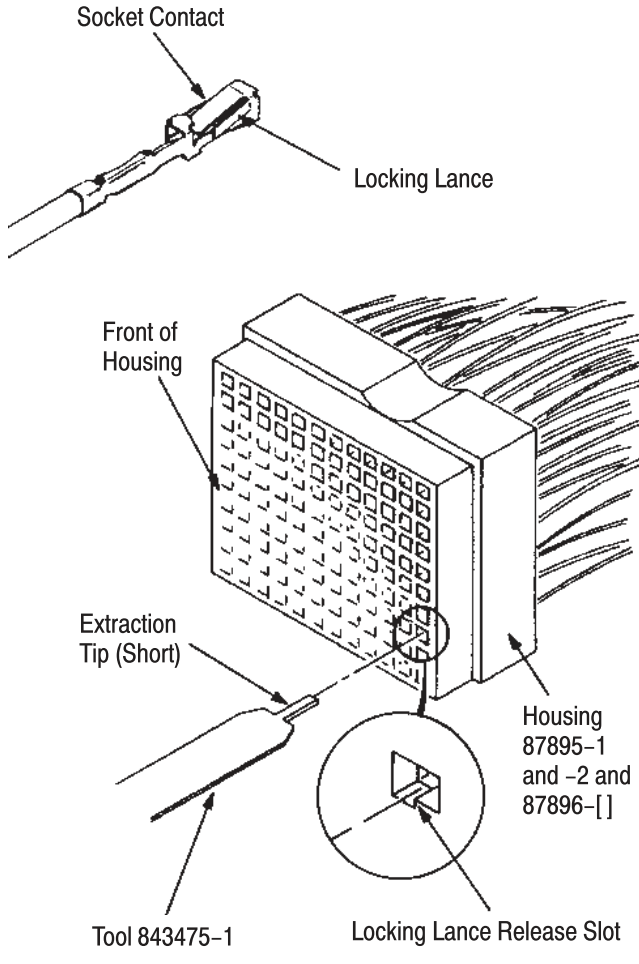


Figure 1

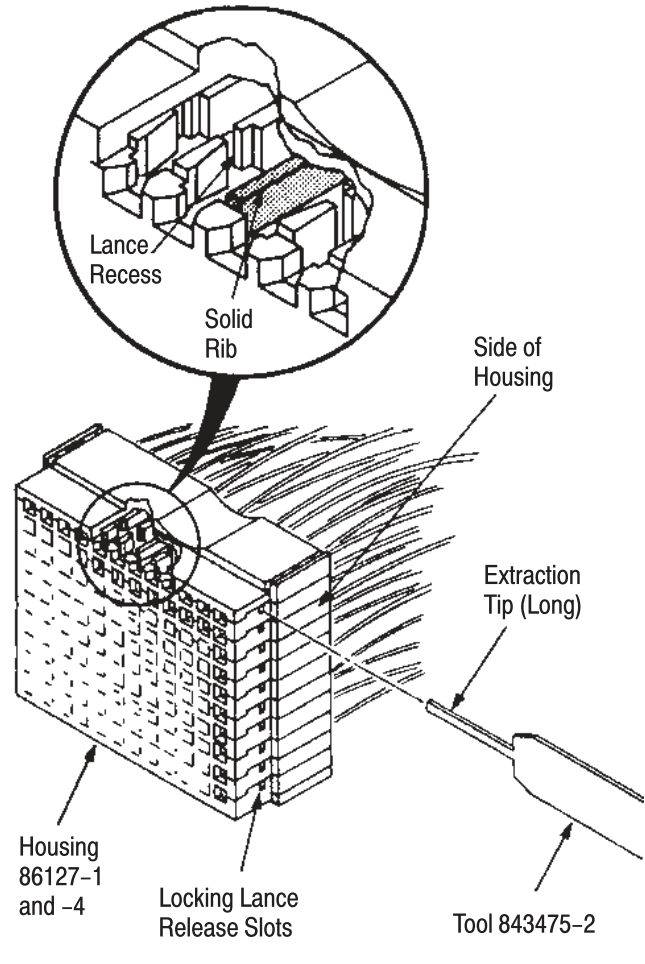


Figure 2

1. INTRODUCTION

This instruction sheet covers Extraction Tools 843475-1 and -2 which are designed to release the locking lances of sockets from AMPMODU* Connector Mod IV housings. Read this material thoroughly before extracting any contacts.

NOTE *Dimensions in this instruction sheet are in millimeters [with inches in brackets]. Figures and illustrations are for reference only and are not drawn to scale.*

Reason for revision is given in Section 5, REVISION SUMMARY.

2. DESCRIPTION

Each tool features a flat extraction tip at the opposite end of the handle. Tool 843475-1, the tool with the shorter extraction tip, is used in housings that have the release slots in the front of the housing. See Figure 1. Tool 843475-2, the tool with the longer tip, is used in housings that have the locking lance release slot in the side. See Figure 2.

3. EXTRACTION PROCEDURE

If you have a front release housing, use Tool 843475-1; if you have a side release housing, use Tool 843475-2. Proceed as follows:

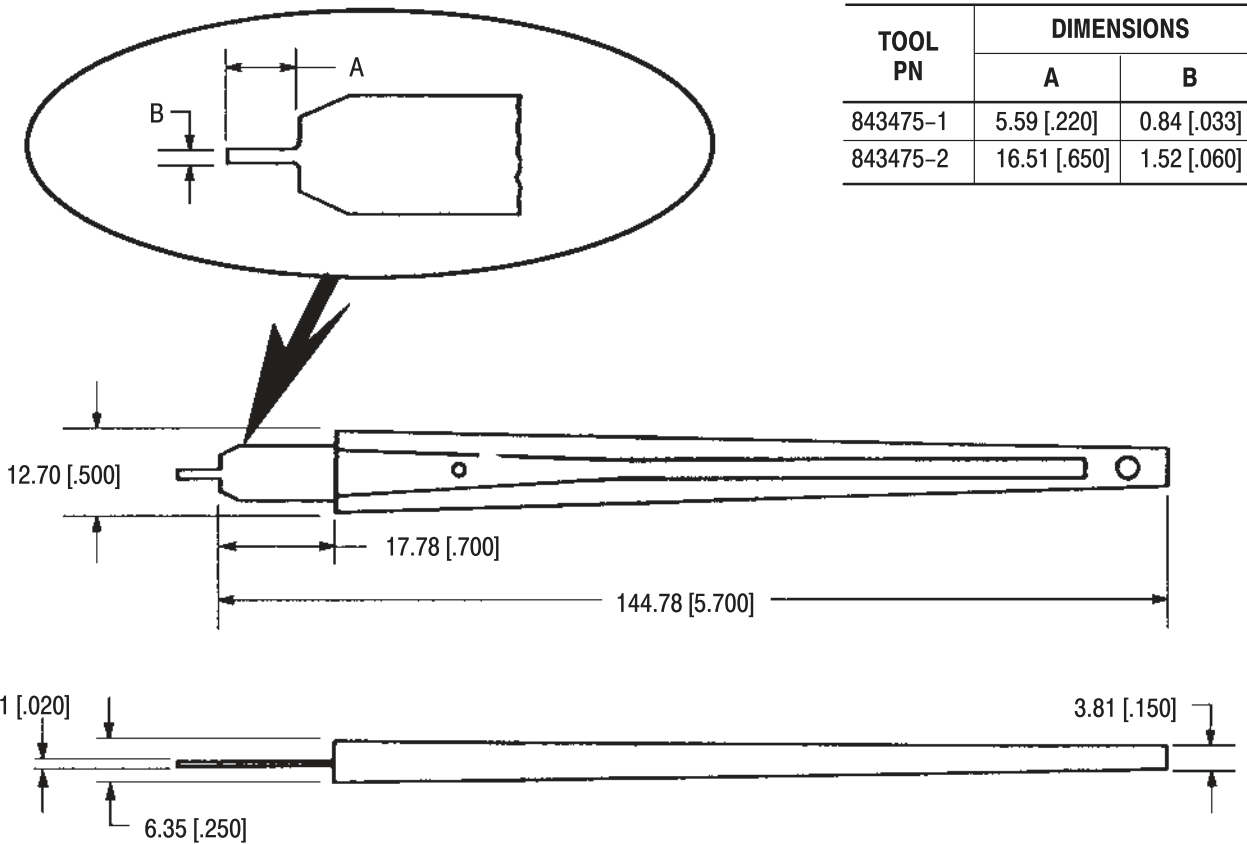


Figure 3

3.1. Front Release Housing (843475-1)

Refer to Figure 1 and proceed as follows:

1. Align extraction tip with locking lance release slot at FRONT of desired contact cavity.
2. Insert tip straight into slot until it bottoms.
3. Hold tool in position and pull back on wire; the contact will come out easily.
4. Remove extraction tool from FRONT of housing.

3.2. Side Release Housing (843475-2)

Refer to Figure 2 and proceed as follows:

1. Note that a solid rib extends through the center of the housing. Determine from which half of the housing the contact is accessible.
2. Align extraction tip with appropriate locking lance release slot in side of housing.
3. Insert tip straight into slot until it touches a contact. Note that this could be the first contact in the row – not necessarily the contact to be removed. Make certain tool is perpendicular to the housing.
4. Grip wire of first contact in slot. Apply slight inward pressure on tool to depress contact locking

lance and, simultaneously, pull back on wire. The contact will come out easily.

5. Repeat these procedures until designated contact is removed.

4. TOOL INSPECTION/MAINTENANCE

Extraction Tool 843475-[] should conform to the dimensions listed in Figure 3. It is recommended that each tool be inspected upon arrival to be sure it has not been damaged in transit, and at regularly scheduled intervals to be sure it remains functional.

Order replacements through your Tyco Electronics Representative, or call 1-800-526-5142, or send a facsimile of your purchase order to 717-986-7605, or if the tool requires repair, send it with a written description of the problem to:

CUSTOMER SERVICE (038-035)
 TYCO ELECTRONICS CORPORATION
 P.O. BOX 3608
 HARRISBURG, PA 17105-3608

5. REVISION SUMMARY

- Updated document to corporate requirements
- New format