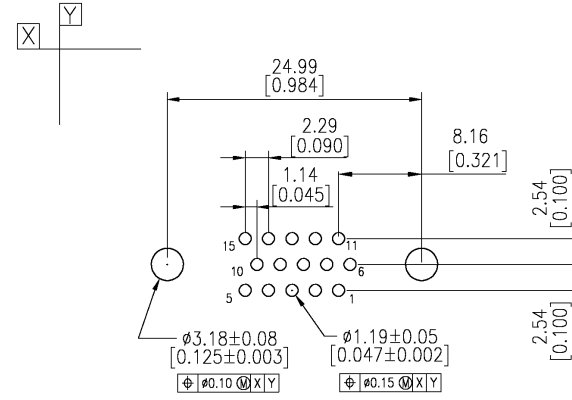
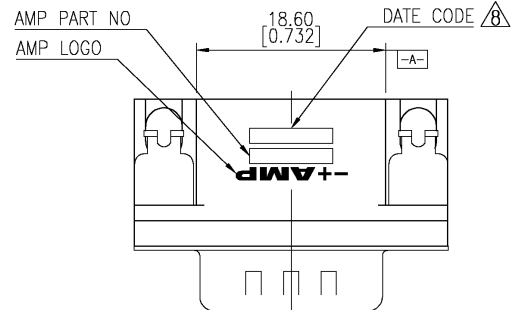
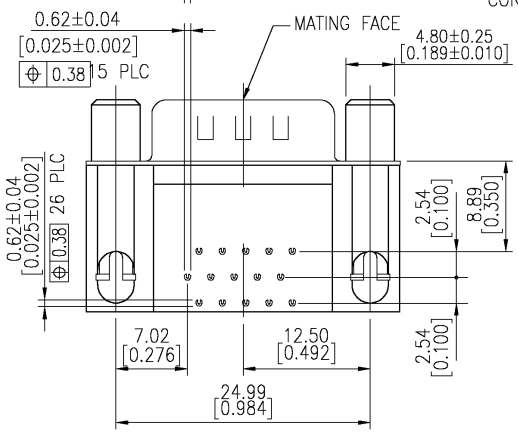
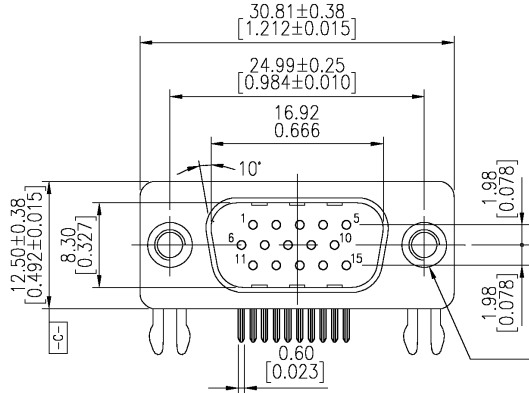


LOC		DST		REVISIONS			
P	LYR	DESCRIPTION	DATE	DWN	APVD		
GP	00	J	REVISED PER EC OS13-0175-03	05JUN03	JG	CC	

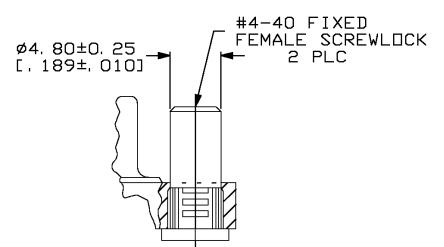


**RECOMMENDED PCB LAYOUT**



**MATERIAL:**

- Housing: PBT, 30% G.F polyester, Black. (UL 94V-0 Rated)
  - Contact: Phos. Bronze.
  - Contact Plated: 30u" Gold Plated over 50u" Nickel underplated.
  - Solder Tail: Tin/Lead Plated 120u" over 50u" Nickel underplated.
  - Shell: Steel, Nickel Plated.
  - Boardlock: Brass, Tin Plated 100u"
  - Female Screwlock: Brass, Nickel plated 30u" Min.
- Ⓐ Four digit date code in this format.
- Year: 01 45 Manufacturing Week
- Ⓓ Solder Tail: Tin Plated 120u" over 50u" Nickel underplated.



Detail A

Tray	Detail A	Ⓓ	30 μ"	6-749768-7
Tray	Detail A	Ⓐ	Gold flash	749768-3
Tray	Detail A	Ⓐ	15 μ"	749768-2
Tray	Detail A	Ⓐ	30 μ"	749768-1
Packaging	Mounting Flange		Contact Finish	AMP Part NO

DIMENSIONS:		TOLERANCES UNLESS OTHERWISE SPECIFIED:		APVD		NAME	
MM		0 PLC	±				
		1 PLC	± 0.30				
		2 PLC	± 0.20				
		3 PLC	± 0.10				
		4 PLC	±				
		ANGLES	± 7				
MATERIAL		FINISH		WEIGHT		RESTRICTED TO	
				A2 00779		©-749768	
CUSTOMER DRAWING				SCALE 1:1		SHEET 1 OF 1 REV J	