

# TLC694x 16-Channel 32-, 48-Multiplexing 16-Bit ES-PWM Constant-Current LED Driver

## 1 Features

- Power Supply Voltage Ranges
  - $V_{CC}$  Voltage Range: 3 V to 5.5 V
  - $V_{LED}$  Voltage Range: Up to  $V_{CC} + 0.3$  V
- 16 Constant-Current-Sink Channels
  - 0.3 mA to 25 mA ( $3\text{ V} \leq V_{CC} \leq 5.5\text{ V}$ )
  - Channel Current Deviation:  $\pm 1\%$  (typical)
  - Device Current Deviation:  $\pm 1\%$  (typical)
  - Low Knee Voltage: 0.3 V (typical) at 10 mA
- 7-Bit (128 Steps) Global Brightness Control (BC)
- 16-Bit (65,536 Steps) Enhanced Spectrum PWM Grayscale Control
- Built-In Memory Supports 32 Multiplexing for TLC6946 and 48 Multiplexing for TLC6948
- LED Display Performance Enhancement
  - Low-Grayscale Uniformity Improvement
  - Low-Grayscale Coupling Issue Elimination
  - Ghosting Removal and Caterpillar Elimination
- High-Speed Serial-Data Interface
  - Data-Shift Clock: 33 MHz (maximum)
  - Grayscale Control Clock: 33 MHz (maximum)
  - Supports Dual-Edge Grayscale Control
- Diagnostics and Protection
  - LED-Open Detection (LOD)
  - IREF Resistor Short Protection (ISP)
  - Thermal Shutdown (TSD)
- Smart Power-Save Mode

## 2 Applications

- Mono-Color, Multi-Color, Full-Color LED Displays
- High-Refresh-Rate LED Video Displays
- High-Density, Fine-Pitch LED Matrix Displays

## 3 Description

In high-density, fine-pitch LED panel applications, the performance demand for multi-channel LED drivers is increasing to achieve high multiplexing, high PWM resolution, and high refresh rates. To meet strict display quality requirements, the LED drivers must have the ability to solve various issues in different LED-matrix application scenarios.

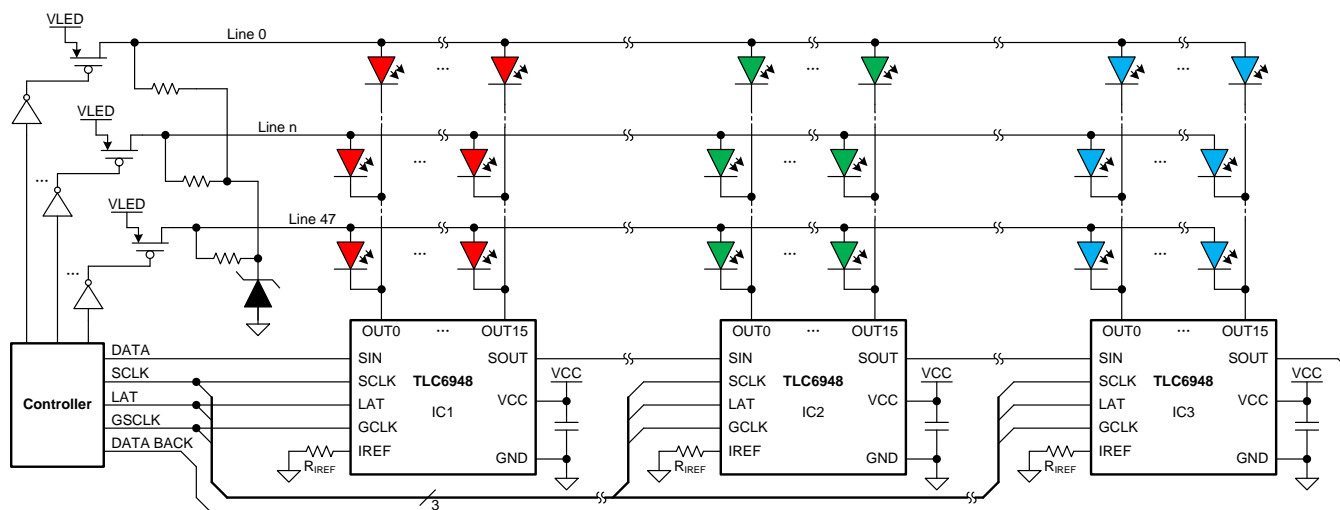
The TLC694x device is a 16-channel, constant-current-sink LED driver. Each channel has an individually adjustable 65,536 steps of PWM grayscale control. The maximum constant-current value of all 16 channels is set by a single external resistor with 128 steps of global brightness control from 0.3 mA to 25 mA.

### Device Information<sup>(1)</sup>

| PART NUMBER | PACKAGE   | BODY SIZE (NOM)   |
|-------------|-----------|-------------------|
| TLC6946     | SSOP (24) | 8.65 mm × 3.90 mm |
|             | VQFN (24) | 4.00 mm × 4.00 mm |
| TLC6948     | SSOP (24) | 8.65 mm × 3.90 mm |
|             | VQFN (24) | 4.00 mm × 4.00 mm |

(1) For all available packages, see the orderable addendum at the end of the data sheet.

### Typical Application Schematic of TLC6948 With 48-Multiplexing



## Table of Contents

|   |           |  |           |
|---|-----------|--|-----------|
| <b>1 Features</b> .....   | <b>1</b>  | 9.2 Functional Block Diagram .....                                   | <b>15</b> |
| <b>2 Applications</b> .....                                     | <b>1</b>  | 9.3 Feature Description .....  | <b>16</b> |
| <b>3 Description</b> .....                                      | <b>1</b>  | 9.4 Device Functional Modes .....                                    | <b>18</b> |
| <b>4 Revision History</b> .....                                 | <b>2</b>  | <b>10 Application and Implementation</b> .....                       | <b>19</b> |
| <b>5 Description (continued)</b> .....                          | <b>3</b>  | 10.1 Application Information .....                                   | <b>19</b> |
| <b>6 Pin Configuration and Functions</b> .....                  | <b>4</b>  | 10.2 Typical Application .....                                       | <b>19</b> |
| <b>7 Specifications</b> .....                                   | <b>6</b>  | <b>11 Power Supply Recommendations</b> .....                         | <b>22</b> |
| 7.1 Absolute Maximum Ratings .....                              | <b>6</b>  | <b>12 Layout</b> .....   | <b>22</b> |
| 7.2 ESD Ratings .....   | <b>6</b>  | 12.1 Layout Guidelines .....   | <b>22</b> |
| 7.3 Recommended Operating Conditions .....                      | <b>6</b>  | 12.2 Layout Examples .....   | <b>23</b> |
| 7.4 Thermal Information .....                                   | <b>7</b>  | <b>13 Device and Documentation Support</b> .....                     | <b>25</b> |
| 7.5 Electrical Characteristics .....                            | <b>7</b>  | 13.1 Documentation Support .....                                     | <b>25</b> |
| 7.6 Switching Characteristics .....                             | <b>9</b>  | 13.2 Related Links .....   | <b>25</b> |
| 7.7 Typical Characteristics .....                               | <b>11</b> | 13.3 Receiving Notification of Documentation Updates .....           | <b>25</b> |
| <b>8 Parameter Measurement Information</b> .....                | <b>13</b> | 13.4 Community Resources .....                                       | <b>25</b> |
| 8.1 Pin Equivalent Input and Output Schematic<br>Diagrams ..... | <b>13</b> | 13.5 Trademarks .....  | <b>25</b> |
| <b>9 Detailed Description</b> .....                             | <b>14</b> | 13.6 Electrostatic Discharge Caution .....                           | <b>25</b> |
| 9.1 Overview .....  | <b>14</b> | 13.7 Glossary .....  | <b>25</b> |
|   |           | <b>14 Mechanical, Packaging, and Orderable<br/>Information</b> ..... | <b>25</b> |

## 4 Revision History

### Changes from Original (June 2018) to Revision A

**Page**

|   |          |
|---|----------|
| • First release of production-data data sheet ..... | <b>1</b> |
|---|----------|

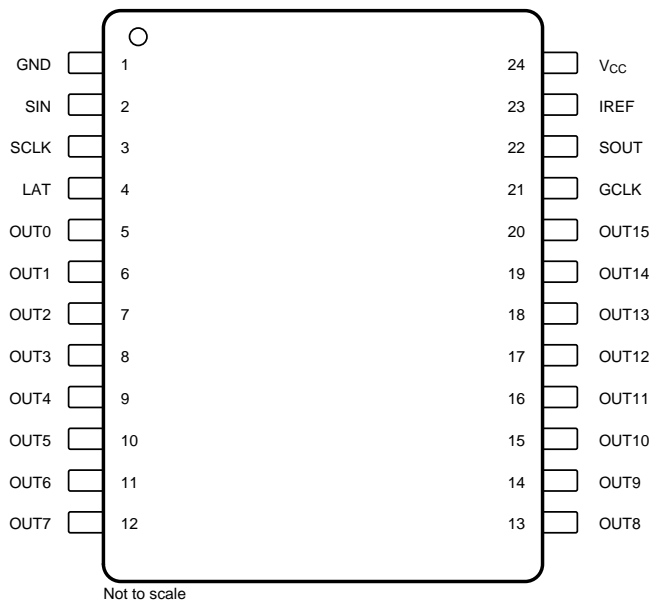
## 5 Description (continued)

The TLC694x device integrates enhanced circuits to solve the various display issues in fine-pitch LED display applications: the low-grayscale uniformity issue, coupling issue, ghosting issue, and caterpillar issue.

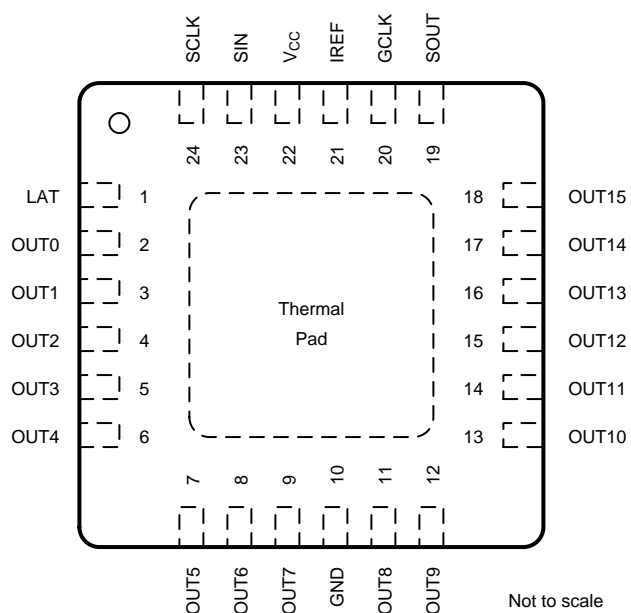
The TLC694x device features an LED-open detection function, and the error detection results can be read via a serial data interface port. Thermal shutdown and IREF resistor short protection ensure a higher system reliability. The TLC694x device also has an smart power-save mode that sets the total current consumption to 1 mA (typical) when all outputs are off.

## 6 Pin Configuration and Functions

**DBQ Package**  
24-Pin SSOP  
Top View



**RGE Package**  
24-Pin VQFN With Exposed Thermal Pad  
Top View



### Pin Functions

| NAME | PIN NO. |     | I/O | DESCRIPTION   |
|------|---------|-----|-----|---|
|      | DBQ     | RGE |     |   |
| GCLK | 21      | 20  | I   | Grayscale (GS) pulse-width modulation (PWM) reference-clock-signal input pin. In the default operating mode, each GCLK rising edge increments the GS counter for PWM control. GCLK supports dual-edge operation.  |
| GND  | 1       | 10  | —   | Power-ground reference  |
| IREF | 23      | 21  | I   | Pin for setting the maximum constant-current value. Connecting an external resistor between IREF and GND sets the maximum current for each constant-current output channel. When this pin is connected directly to GND, all outputs are forced off. The external resistor should be placed close to the device. |
| LAT  | 4       | 1   | I   | Data latch pin. The falling edge of LAT latches the data from the common shift register into the GS data memory or the function control register.   |

**Pin Functions (continued)**

| NAME            | PIN NO. |     | I/O | DESCRIPTION  |
|-----------------|---------|-----|-----|--|
|                 | DBQ     | RGE |     |  |
|                 | OUT0    | 5   |     |  |
| OUT1            | 6       | 3   | O   |  |
| OUT2            | 7       | 4   | O   |  |
| OUT3            | 8       | 5   | O   |  |
| OUT4            | 9       | 6   | O   |  |
| OUT5            | 10      | 7   | O   |  |
| OUT6            | 11      | 8   | O   |  |
| OUT7            | 12      | 9   | O   |  |
| OUT8            | 13      | 11  | O   |  |
| OUT9            | 14      | 12  | O   |  |
| OUT10           | 15      | 13  | O   |  |
| OUT11           | 16      | 14  | O   |  |
| OUT12           | 17      | 15  | O   |  |
| OUT13           | 18      | 16  | O   |  |
| OUT14           | 19      | 17  | O   |  |
| OUT15           | 20      | 18  | O   |  |
| SCLK            | 3       | 24  | I   | Clock-signal input pin. Serial data present on SIN are shifted to the LSB of the internal 16-bit common shift register on the SCLK rising edge. All data in the shift register are shifted toward the MSB of the internal 16-bit common shift register on each SCLK rising edge.                       |
| SIN             | 2       | 23  | I   | Serial-data input pin of the internal 16-bit common shift register. When SIN is high, the LSB of the internal 16-bit common shift register is set to 1 on the SCLK input rising edge. When SIN is low, the LSB of the internal 16-bit common shift register is set to 0 on the SCLK input rising edge. |
| SOUT            | 22      | 19  | O   | Serial data output pin of the internal 16-bit common shift register. The MSB of the internal 16-bit common shift register appears on SOUT.   |
| V <sub>CC</sub> | 24      | 22  | I   | Power supply pin   |
| Thermal pad     | —       | —   | —   | Internally connected to GND in the RGE package only. The thermal pad and the GND pin must be connected together on the board.  |

## 7 Specifications

### 7.1 Absolute Maximum Ratings

 over operating free-air temperature range (unless otherwise noted)<sup>(1)</sup> <sup>(2)</sup>

|  |                                  | MIN  | MAX                   | UNIT |
|--|----------------------------------|------|-----------------------|------|
| Voltage  | V <sub>CC</sub>                  | -0.3 | 6                     | V    |
|  | GCLK, IREF, LAT, SCLK, SIN, SOUT | -0.3 | V <sub>CC</sub> + 0.3 | V    |
|  | OUT0 to OUT15                    | -0.3 | V <sub>CC</sub> + 0.3 | V    |
| Current  | OUT0 to OUT15                    | 0    | 27                    | mA   |
| Operating junction temperature, T <sub>J</sub> |                                  | -40  | 150                   | °C   |
| Storage temperature, T <sub>stg</sub>          |                                  | -55  | 150                   | °C   |

- (1) Stresses beyond those listed under *Absolute Maximum Ratings* may cause permanent damage to the device. These are stress ratings only, which do not imply functional operation of the device at these or any other conditions beyond those indicated under *Recommended Operating Conditions*. Exposure to absolute-maximum-rated conditions for extended periods may affect device reliability.
- (2) All voltage values are with respect to GND.

### 7.2 ESD Ratings

|                    |                         |  | VALUE | UNIT |
|--------------------|-------------------------|--|-------|------|
| V <sub>(ESD)</sub> | Electrostatic discharge | Human-body model (HBM), per ANSI/ESDA/JEDEC JS-001 <sup>(1)</sup>              | ±7000 | V    |
|                    |                         | Charged-device model (CDM), per JEDEC specification JESD22-C101 <sup>(2)</sup> | ±1000 |      |

- (1) JEDEC document JEP155 states that 500-V HBM allows safe manufacturing with a standard ESD control process.
- (2) JEDEC document JEP157 states that 250-V CDM allows safe manufacturing with a standard ESD control process.

### 7.3 Recommended Operating Conditions

over operating free-air temperature range (unless otherwise noted)

|                       |   |                                      | MIN                   | NOM | MAX                   | UNIT |
|-----------------------|---|--------------------------------------|-----------------------|-----|-----------------------|------|
| V <sub>CC</sub>       | Supply voltage  | Supply voltage                       | 3                     |     | 5.5                   | V    |
| V <sub>OUTn</sub>     | Voltage applied to OUT0 to OUT15                          | Voltage applied to OUT0 to OUT15     | 0                     |     | V <sub>CC</sub>       | V    |
| V <sub>IH</sub>       | High-level input voltage                                  | GCLK, LAT, SCLK, SIN                 | 0.7 × V <sub>CC</sub> |     | V <sub>CC</sub>       | V    |
| V <sub>IL</sub>       | Low-level input voltage                                   | GCLK, LAT, SCLK, SIN                 | 0                     |     | 0.3 × V <sub>CC</sub> | V    |
| I <sub>OH</sub>       | High-level output current                                 | SOUT                                 |                       |     | -2                    | mA   |
| I <sub>OL</sub>       | Low-level output current                                  | SOUT                                 |                       |     | 2                     | mA   |
| I <sub>OLC, max</sub> | Maximum constant-output sink current                      | OUT0 to OUT15                        | 0.3                   |     | 25                    | mA   |
| f <sub>SCLK</sub>     | Data-shift clock frequency                                | SCLK                                 |                       |     | 33                    | MHz  |
| f <sub>GCLK</sub>     | Grayscale control clock frequency                         | GCLK                                 |                       |     | 33                    | MHz  |
| f <sub>GCLK,B</sub>   | Grayscale control clock frequency for dual-edge operation | GCLK                                 |                       |     | 25                    | MHz  |
| t <sub>w(H0)</sub>    | Pulse width duration                                      | SCLK                                 | 10                    |     |                       | ns   |
| t <sub>w(L0)</sub>    | Pulse width duration                                      | SCLK                                 | 10                    |     |                       | ns   |
| t <sub>w(H1)</sub>    | Pulse width duration                                      | GCLK                                 | 10                    |     |                       | ns   |
| t <sub>w(L1)</sub>    | Pulse width duration                                      | GCLK                                 | 10                    |     |                       | ns   |
| t <sub>w(H2)</sub>    | Pulse width duration                                      | GCLK (for dual-edge operation)       | 18                    |     |                       | ns   |
| t <sub>w(L2)</sub>    | Pulse width duration                                      | GCLK (for dual-edge operation)       | 18                    |     |                       | ns   |
| t <sub>SU(0)</sub>    | Setup time  | SIN to SCLK↑                         | 2                     |     |                       | ns   |
| t <sub>SU(1)</sub>    | Setup time  | LAT ↑ to SCLK ↑                      | 5                     |     |                       | ns   |
| t <sub>SU(2)</sub>    | Setup time  | LAT ↓ to SCLK ↑                      | 5                     |     |                       | ns   |
| t <sub>SU(3)</sub>    | Setup time  | LAT ↓ to SCLK ↑, read data from SOUT | 50                    |     |                       | ns   |
| t <sub>SU(4)</sub>    | Setup time  | LAT ↓ (WRTGS) to LAT ↓ (WRTGS)       | 1.5                   |     |                       | μs   |

## Recommended Operating Conditions (continued)

over operating free-air temperature range (unless otherwise noted)

|             |                                |   | MIN | NOM | MAX | UNIT |
|-------------|--------------------------------|---|-----|-----|-----|------|
| $t_{su(5)}$ | Setup time                     | LAT ↓ (WRTGS) to LAT ↓ (VSYNC)  | 1.5 |     |     | μs   |
| $t_{su(6)}$ | Setup time                     | LAT ↓ (VSYNC) to GCLK ↑   | 2.5 |     |     | μs   |
| $t_{su(7)}$ | Setup time                     | LAT ↓ (VSYNC) to LAT ↓ (WRTGS)  | 2.5 |     |     | μs   |
| $t_{su(8)}$ | Setup time                     | Last LAT (non-0 GS data latched) ↓ to the first GCLK ↑ of next frame (wake up from power-save mode) | 50  |     |     | μs   |
| $t_{LSW}$   | Line switching time            | Last GCLK ↓ to the first GCLK ↑ of next line  | 1   |     |     | μs   |
| $t_{h(0)}$  | Hold time                      | SCLK ↑ to SIN   | 2   |     |     | ns   |
| $t_{h(1)}$  | Hold time                      | SCLK ↑ to LAT ↑   | 2   |     |     | ns   |
| $t_{h(2)}$  | Hold time                      | SCLK ↑ to LAT ↓   | 10  |     |     | ns   |
| $T_A$       | Operating ambient temperature  | Operating ambient temperature   | –40 |     | 85  | °C   |
| $T_J$       | Operating junction temperature | Operating junction temperature  | –40 |     | 125 | °C   |

## 7.4 Thermal Information

| THERMAL METRIC <sup>(1)</sup> |  | TLC6946    |            | UNIT |
|-------------------------------|--|------------|------------|------|
|                               |  | DBQ (SSOP) | RGE (VQFN) |      |
|                               |  | 24 PINS    | 24 PINS    |      |
| $R_{\theta JA}$               | Junction-to-ambient thermal resistance       | 87.2       | 35.6       | °C/W |
| $R_{\theta JC(top)}$          | Junction-to-case (top) thermal resistance    | 42.3       | 34.7       | °C/W |
| $R_{\theta JB}$               | Junction-to-board thermal resistance         | 41.4       | 15.2       | °C/W |
| $\Psi_{JT}$                   | Junction-to-top characterization parameter   | 9.2        | 0.7        | °C/W |
| $\Psi_{JB}$                   | Junction-to-board characterization parameter | 41         | 15.2       | °C/W |
| $R_{\theta JC(bot)}$          | Junction-to-case (bottom) thermal resistance | N/A        | 5          | °C/W |

(1) For more information about traditional and new thermalmetrics, see the [Semiconductor and IC Package Thermal Metrics](#) application report.

## 7.5 Electrical Characteristics

$V_{CC} = 3\text{ V}$  to  $5.5\text{ V}$  and  $T_A = -40^\circ\text{C}$  to  $85^\circ\text{C}$ ; typical values are at  $V_{CC} = V_{LED} = 3.5\text{ V}$ ,  $T_A = 25^\circ\text{C}$ , over recommended operating conditions (unless otherwise noted)

| PARAMETER      | TEST CONDITIONS  | MIN  | TYP       | MAX            | UNIT |   |
|----------------|--|--|-----------|----------------|------|---|
| $V_{OH}$       | High-level output voltage                                  | $I_{OH} = -2\text{ mA}$ at SOUT  |           | $V_{CC} - 0.4$ | V    |   |
| $V_{OL}$       | Low-level output voltage                                   | $I_{OL} = 2\text{ mA}$ at SOUT   |           | 0.4            | V    |   |
| $V_{IREF}$     | Reference voltage  | BC = 00h, $R_{IREF} = 10.7\text{ k}\Omega$ ( $I_{OUTn} = 0.3\text{-mA}$ target)  | 0.8       |                | V    |   |
| $V_{(LOD)}$    | LED open-detection threshold                               | All $OUTn = \text{on}$ , $LODVTH = 00b$  | 0.12      | 0.2            | 0.28 | V |
|                |  | All $OUTn = \text{on}$ , $LODVTH = 01b$  | 0.42      | 0.5            | 0.58 | V |
|                |  | All $OUTn = \text{on}$ , $LODVTH = 10b$  | 0.82      | 0.9            | 0.98 | V |
|                |  | All $OUTn = \text{on}$ , $LODVTH = 11b$  | 1.12      | 1.2            | 1.28 | V |
| $V_{(KNEE)}$   | Knee voltage (OUT0 to OUT15)                               | All $OUTn = \text{on}$ , BC = 36h, $R_{IREF} = 1.27\text{ k}\Omega$ ( $I_{OUTn} = 10\text{-mA}$ target)  | 0.3       |                | V    |   |
| $\Delta IOLC0$ | Constant-current error (channel-to-channel) <sup>(1)</sup> | All $OUTn = \text{on}$ , BC = 00h, $V_{OUTn} = 1\text{ V}$ , $R_{IREF} = 10.7\text{ k}\Omega$ ( $I_{OUTn} = 0.3\text{-mA}$ target), $T_A = 25^\circ\text{C}$ , includes the $V_{IREF}$ tolerance | $\pm 1\%$ | $\pm 3.5\%$    |      |   |

(1) The deviation of each output from average of all channels constant current. The deviation is calculated by the formula.

$$\Delta(\%) = \left[ \frac{I_{OUTn}}{I_{OUT0} + I_{OUT1} + \dots + I_{OUT14} + I_{OUT15}} - 1 \right] \times 100$$

**Electrical Characteristics (continued)**

$V_{CC} = 3\text{ V to }5.5\text{ V}$  and  $T_A = -40^\circ\text{C to }85^\circ\text{C}$ ; typical values are at  $V_{CC} = V_{LED} = 3.5\text{ V}$ ,  $T_A = 25^\circ\text{C}$ , over recommended operating conditions (unless otherwise noted)

| PARAMETER         |  | TEST CONDITIONS  | MIN  | TYP       | MAX         | UNIT             |
|-------------------|--|--|------|-----------|-------------|------------------|
| $\Delta I_{OLC1}$ | Constant-current error (device-to-device) <sup>(2)</sup>   | All OUTn = on, BC = 00h, $V_{OUTn} = 1\text{ V}$ , $R_{IREF} = 10.7\text{ k}\Omega$ ( $I_{OUTn} = 0.3\text{-mA}$ target), $T_A = 25^\circ\text{C}$ , includes the $V_{IREF}$ tolerance |      | $\pm 1\%$ | $\pm 2\%$   |                  |
| $\Delta I_{OLC2}$ | Constant-current error (channel-to-channel) <sup>(1)</sup> | All OUTn = on, BC = 2Ah, $V_{OUTn} = 1\text{ V}$ , $R_{IREF} = 10.7\text{ k}\Omega$ ( $I_{OUTn} = 1\text{-mA}$ target), $T_A = 25^\circ\text{C}$ , includes the $V_{IREF}$ tolerance   |      | $\pm 1\%$ | $\pm 3\%$   |                  |
| $\Delta I_{OLC3}$ | Constant-current error (device-to-device) <sup>(2)</sup>   | All OUTn = on, BC = 2Ah, $V_{OUTn} = 1\text{ V}$ , $R_{IREF} = 10.7\text{ k}\Omega$ ( $I_{OUTn} = 1\text{-mA}$ target), $T_A = 25^\circ\text{C}$ , includes the $V_{IREF}$ tolerance   |      | $\pm 1\%$ | $\pm 2.5\%$ |                  |
| $\Delta I_{OLC4}$ | Constant-current error (channel-to-channel) <sup>(1)</sup> | All OUTn = on, BC = 36h, $V_{OUTn} = 1\text{ V}$ , $R_{IREF} = 1.27\text{ k}\Omega$ ( $I_{OUTn} = 10\text{-mA}$ target), $T_A = 25^\circ\text{C}$ , includes the $V_{IREF}$ tolerance  |      | $\pm 1\%$ | $\pm 2.5\%$ |                  |
| $\Delta I_{OLC5}$ | Constant-current error (device-to-device) <sup>(2)</sup>   | All OUTn = on, BC = 36h, $V_{OUTn} = 1\text{ V}$ , $R_{IREF} = 1.27\text{ k}\Omega$ ( $I_{OUTn} = 10\text{-mA}$ target), $T_A = 25^\circ\text{C}$ , includes the $V_{IREF}$ tolerance  |      | $\pm 1\%$ | $\pm 2.5\%$ |                  |
| $\Delta I_{OLC6}$ | Constant-current error (channel-to-channel) <sup>(1)</sup> | All OUTn = on, BC = 7Eh, $V_{OUTn} = 1\text{ V}$ , $R_{IREF} = 1.02\text{ k}\Omega$ ( $I_{OUTn} = 25\text{-mA}$ target), $T_A = 25^\circ\text{C}$ , includes the $V_{IREF}$ tolerance  |      | $\pm 1\%$ | $\pm 2\%$   |                  |
| $\Delta I_{OLC7}$ | Constant-current error (device-to-device) <sup>(2)</sup>   | All OUTn = on, BC = 7Eh, $V_{OUTn} = 1\text{ V}$ , $R_{IREF} = 1.02\text{ k}\Omega$ ( $I_{OUTn} = 25\text{-mA}$ target), $T_A = 25^\circ\text{C}$ , includes the $V_{IREF}$ tolerance  |      | $\pm 1\%$ | $\pm 2\%$   |                  |
| $\Delta I_{OLC8}$ | Line regulation <sup>(3)</sup>                             | All OUTn = on, $V_{CC} = 3\text{ V to }5.5\text{ V}$ , $V_{OUTn} = 1\text{ V}$   |      | $\pm 1$   | $\pm 2$     | %/V              |
| $\Delta I_{OLC9}$ | Load regulation <sup>(4)</sup>                             | All OUTn = on, $V_{OUTn} = 1\text{ V to }3\text{ V}$   |      | $\pm 1$   | $\pm 2$     | %/V              |
| $V_{IL(ISP)}$     | IREF resistor short-protection enter threshold             |  | 0.15 | 0.195     |             | V                |
| $V_{IH(ISP)}$     | IREF resistor short-protection release threshold           |  |      | 0.325     | 0.4         | V                |
| $T_{(TSD)}$       | Thermal shutdown threshold <sup>(5)</sup>                  |  |      | 170       |             | $^\circ\text{C}$ |
| $T_{(HYS)}$       | Thermal shutdown hysteresis <sup>(5)</sup>                 |  |      | 15        |             | $^\circ\text{C}$ |
| $I_I$             | SCLK or SIN Input current                                  | $V_I = V_{CC}$ or GND at SCLK or SIN   | -1   |           | 1           | $\mu\text{A}$    |

(2) The deviation of the average of constant current from the ideal constant current value.

$$\Delta(\%) = \left[ \frac{\frac{I_{OUT0} + I_{OUT1} + \dots + I_{OUT14} + I_{OUT15}}{16} - \text{Ideal Output Current}}{\text{Ideal Output Current}} \right] \times 100$$

, Ideal current is calculated by the

$$\text{Ideal Output (mA)} = \text{Gain} \times \left( \frac{V_{IREF}}{R_{IREF(\Omega)}} \right) \times \left( \frac{1}{8} + \frac{BC}{144} \right)$$

following equation

(3) Line regulation is calculated by the following equation

$$\Delta(\%V) = \left[ \frac{(I_{OUTn} \text{ at } V_{CC} = 5.5\text{V}) - (I_{OUTn} \text{ at } V_{CC} = 3\text{V})}{(I_{OUTn} \text{ at } V_{CC} = 3\text{V})} \right] \times \frac{100}{5.5\text{V} - 3\text{V}}$$

(4) Load regulation is calculated by the following equation

$$\Delta(\%V) = \left[ \frac{(I_{OUTn} \text{ at } V_{OUTn} = 3\text{V}) - (I_{OUTn} \text{ at } V_{OUTn} = 1\text{V})}{(I_{OUTn} \text{ at } V_{OUTn} = 1\text{V})} \right] \times \frac{100}{3\text{V} - 1\text{V}}$$

(5) Specified by design



## Electrical Characteristics (continued)

$V_{CC} = 3\text{ V to }5.5\text{ V}$  and  $T_A = -40^\circ\text{C to }85^\circ\text{C}$ ; typical values are at  $V_{CC} = V_{LED} = 3.5\text{ V}$ ,  $T_A = 25^\circ\text{C}$ , over recommended operating conditions (unless otherwise noted)

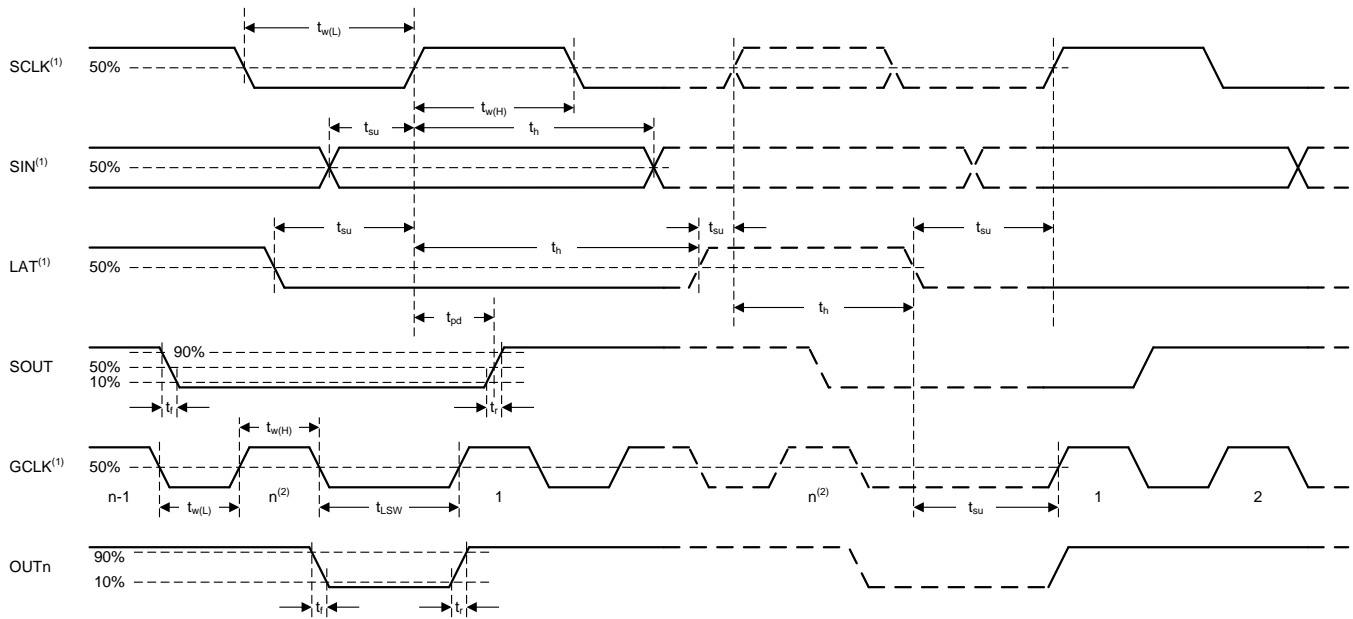
| PARAMETER   | TEST CONDITIONS  | MIN  | TYP | MAX | UNIT |            |
|-------------|--|------|-----|-----|------|------------|
| $I_{CC(0)}$ | GCLK = LAT = SCLK = SIN = GND, GSn = 0000h, BC = 00h, PCHG_EN = 0, $V_{OUTn} = V_{CC}$ , $R_{IREF} = \text{open}$  | 3    | 4.5 | 6   | mA   |            |
| $I_{CC(1)}$ | GCLK = LAT = SCLK = SIN = GND, GSn = 0000h, BC = 36h, PCHG_EN = 0, $V_{OUTn}$ is floating, $R_{IREF} = 1.27\text{ k}\Omega$ ( $I_{OUTn} = 10\text{-mA target}$ )           | 4    | 6.5 | 8   | mA   |            |
| $I_{CC(2)}$ | GCLK = LAT = SCLK = SIN = GND, GSn = 0000h, BC = 7Eh, PCHG_EN = 0, $V_{OUTn}$ is floating, $R_{IREF} = 1.27\text{ k}\Omega$ ( $I_{OUTn} = 20\text{-mA target}$ )           | 4    | 7.5 | 9   | mA   |            |
| $I_{CC(3)}$ | LAT = SCLK = SIN = GND, GCLK = 33 MHz, GSn = FFFFh, BC = 36h, PCHG_EN = 0, $V_{OUTn} = 1\text{ V}$ , $R_{IREF} = 1.27\text{ k}\Omega$ ( $I_{OUTn} = 10\text{-mA target}$ ) | 4.7  | 7   | 10  | mA   |            |
| $I_{CC(4)}$ | LAT = SCLK = SIN = GND, GCLK = 33 MHz, GSn = FFFFh, BC = 7Eh, PCHG_EN = 0, $V_{OUTn} = 1\text{ V}$ , $R_{IREF} = 1.27\text{ k}\Omega$ ( $I_{OUTn} = 20\text{-mA target}$ ) | 4.7  | 7.7 | 10  | mA   |            |
| $I_{CC(6)}$ | In power-save mode, PCHG_EN = 0, $R_{IREF} = 1.60\text{ k}\Omega$  |      | 1   | 1.5 | mA   |            |
| $R_{DW}$    | Pulldown resistor  | LAT  | 250 | 480 | 750  | k $\Omega$ |
|             |  | GCLK | 250 | 480 | 750  |            |

## 7.6 Switching Characteristics

$V_{CC} = 3\text{ V to }5.5\text{ V}$  and  $T_A = -40^\circ\text{C to }85^\circ\text{C}$ ; Typical values are at  $V_{CC} = 3.3\text{ V}$ ,  $T_A = 25^\circ\text{C}$ ,  $V_{LED} = 5\text{ V}$ , over recommended operating conditions (unless otherwise noted)

| PARAMETER   | TEST CONDITIONS   | MIN | TYP | MAX | UNIT |
|-------------|---|-----|-----|-----|------|
| $t_{r(0)}$  | SOUT  |     | 2   |     | ns   |
| $t_{r(1)}$  | Rise time <sup>(1)</sup><br>OUTn, BC = 7Eh, $V_{OUTn} = 1\text{ V}$ , $R_{IREF} = 1.02\text{ k}\Omega$ ( $I_{OUTn} = 25\text{-mA target}$ ), $T_A = 25^\circ\text{C}$ , $R_L = 160\ \Omega$ |     | 20  |     | ns   |
| $t_{f(0)}$  | SOUT  |     | 2   |     | ns   |
| $t_{f(1)}$  | Fall time <sup>(1)</sup><br>OUTn, BC = 7Eh, $V_{OUTn} = 1\text{ V}$ , $R_{IREF} = 1.02\text{ k}\Omega$ ( $I_{OUTn} = 25\text{-mA target}$ ), $T_A = 25^\circ\text{C}$ , $R_L = 160\ \Omega$ |     | 15  |     | ns   |
| $t_{pd(0)}$ | SCLK $\uparrow$ to SOUT $\uparrow\downarrow$ , SEL_TD0 = 00b  |     | 5   |     | ns   |
|             | SCLK $\uparrow$ to SOUT $\uparrow\downarrow$ , SEL_TD0 = 01b  |     | 10  |     | ns   |
|             | SCLK $\uparrow$ to SOUT $\uparrow\downarrow$ , SEL_TD0 = 10b  |     | 20  |     | ns   |
|             | SCLK $\downarrow$ to SOUT $\uparrow\downarrow$ , SEL_TD0 = 11b  |     | 5   |     | ns   |
| $t_{pd(1)}$ | LAT $\downarrow$ to SOUT, read LOD information  |     | 25  | 50  | ns   |

(1) Specified by design



- (1) Pulse rise and fall times are 1 ns–3 ns
- (2) The last GCLK of each display segment in the sub period

**Figure 1. Timing Diagram**

### 7.7 Typical Characteristics

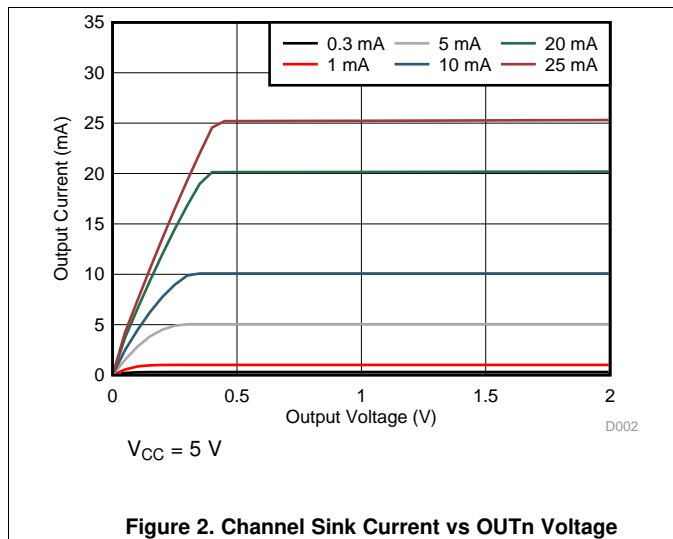


Figure 2. Channel Sink Current vs OUTn Voltage

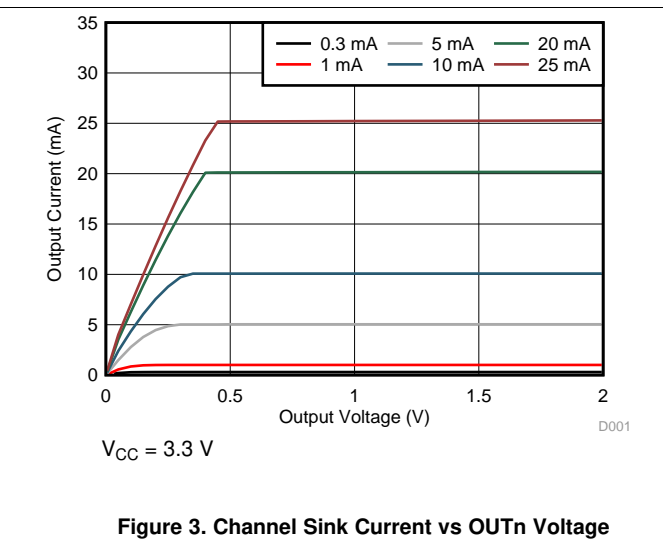


Figure 3. Channel Sink Current vs OUTn Voltage

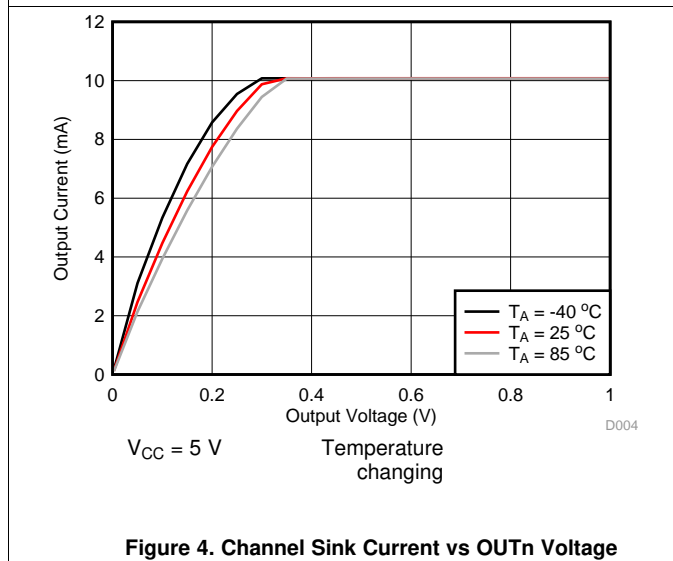


Figure 4. Channel Sink Current vs OUTn Voltage

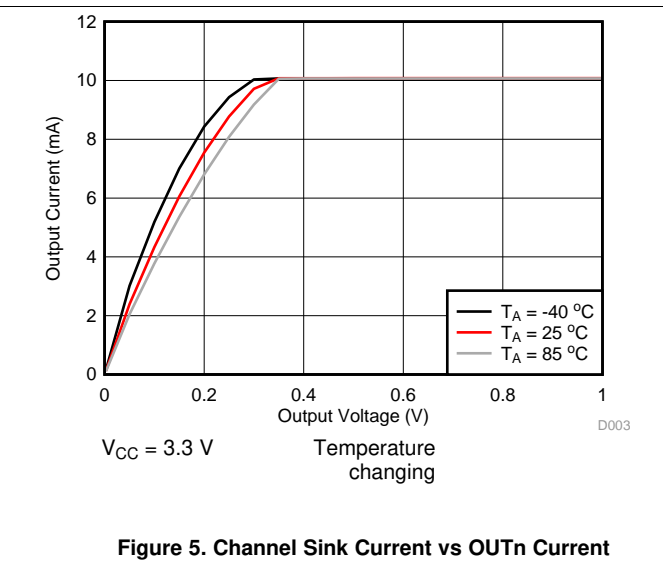


Figure 5. Channel Sink Current vs OUTn Current

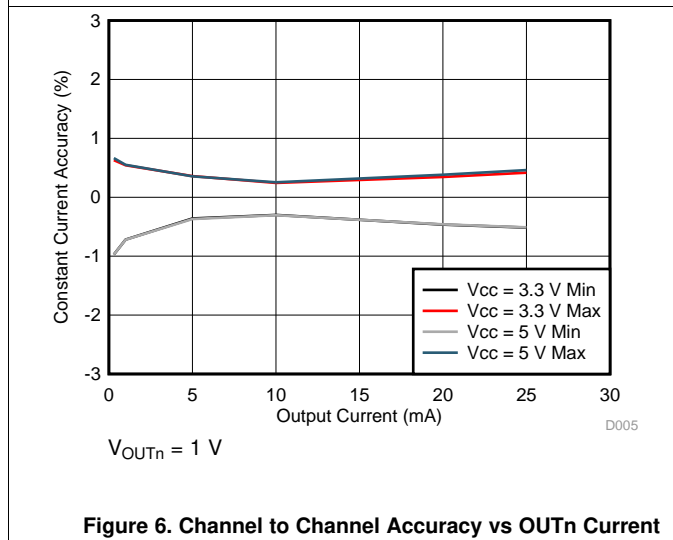


Figure 6. Channel to Channel Accuracy vs OUTn Current

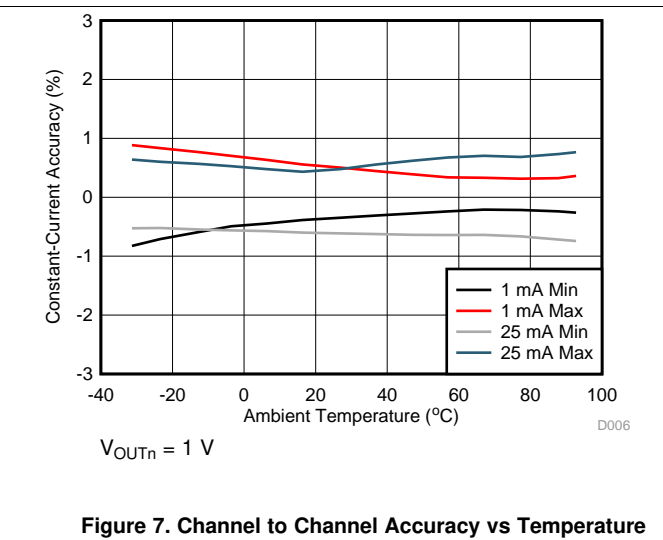


Figure 7. Channel to Channel Accuracy vs Temperature

Typical Characteristics (continued)

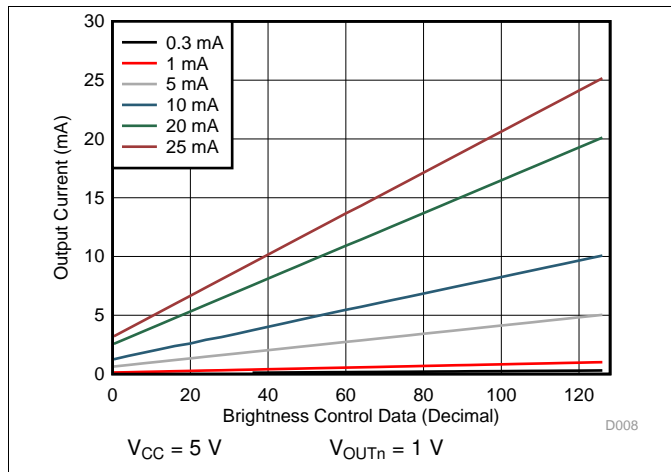


Figure 8. Channel Sink Current vs Brightness Control (BC)

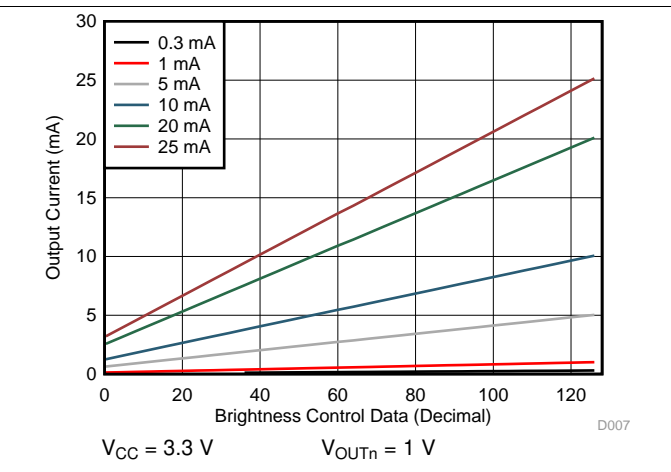


Figure 9. Channel Sink Current vs Brightness Control (BC)

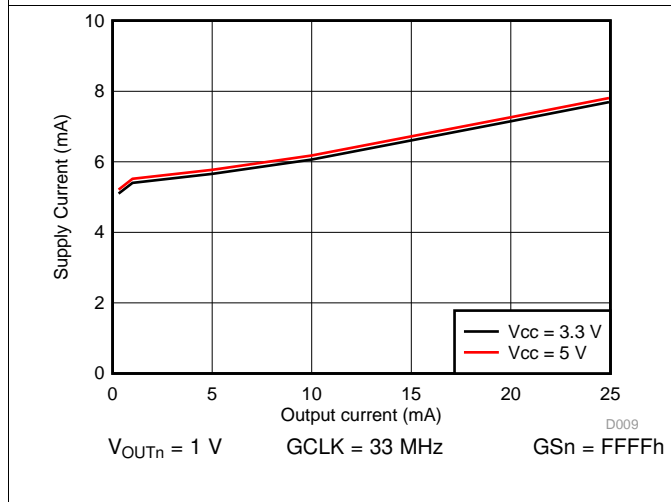


Figure 10. Supply Current ( $I_{CC}$ ) vs Channel Sink Current

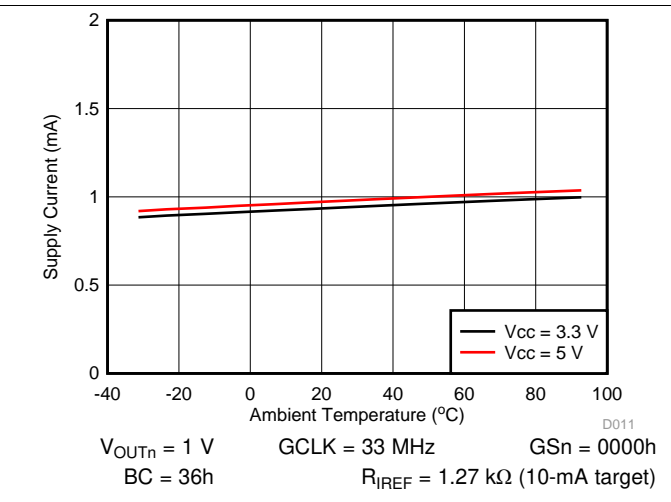
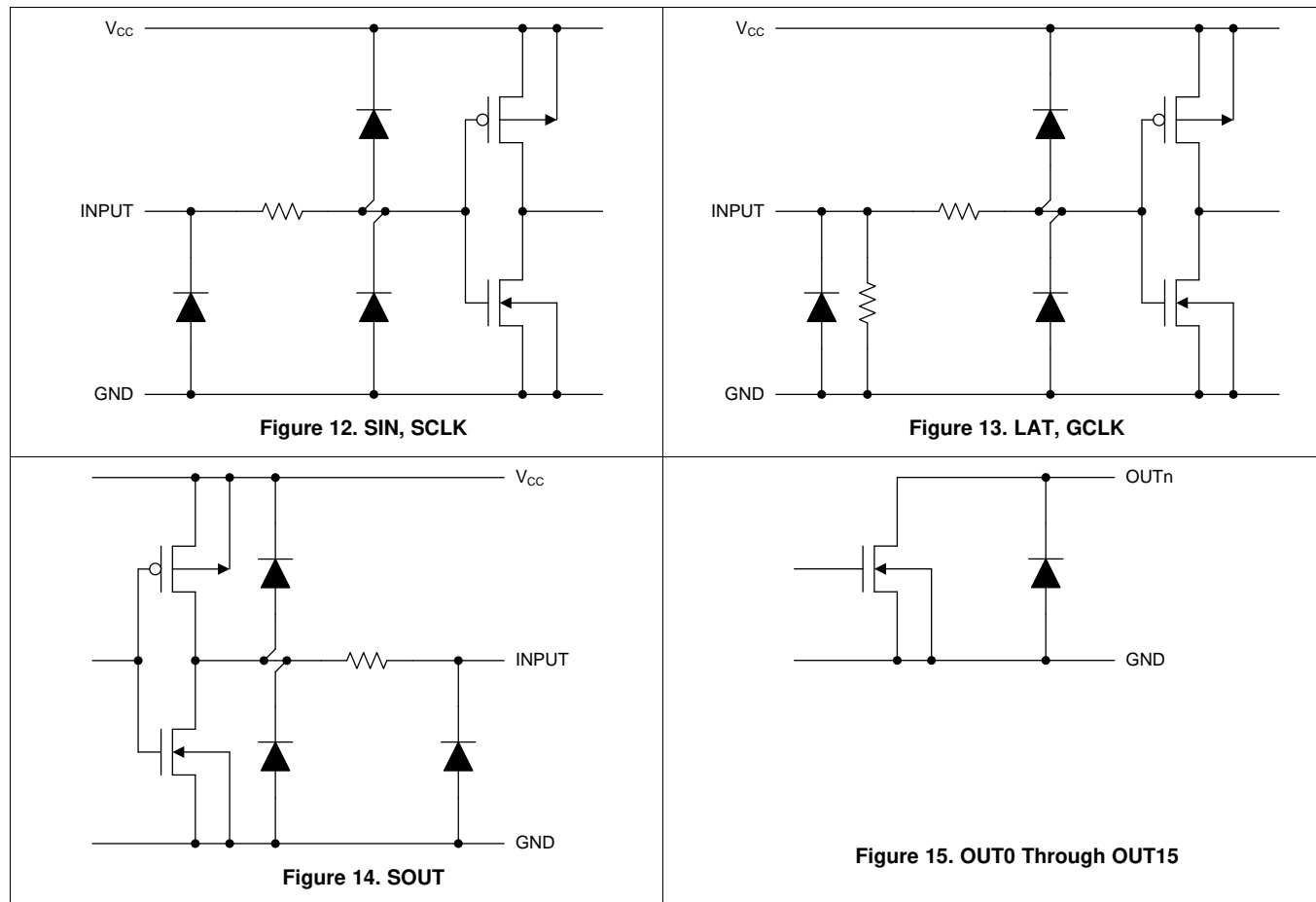


Figure 11. Supply Current ( $I_{CC}$ ) in Power-Save Mode vs Temperature

## 8 Parameter Measurement Information

### 8.1 Pin Equivalent Input and Output Schematic Diagrams



## 9 Detailed Description

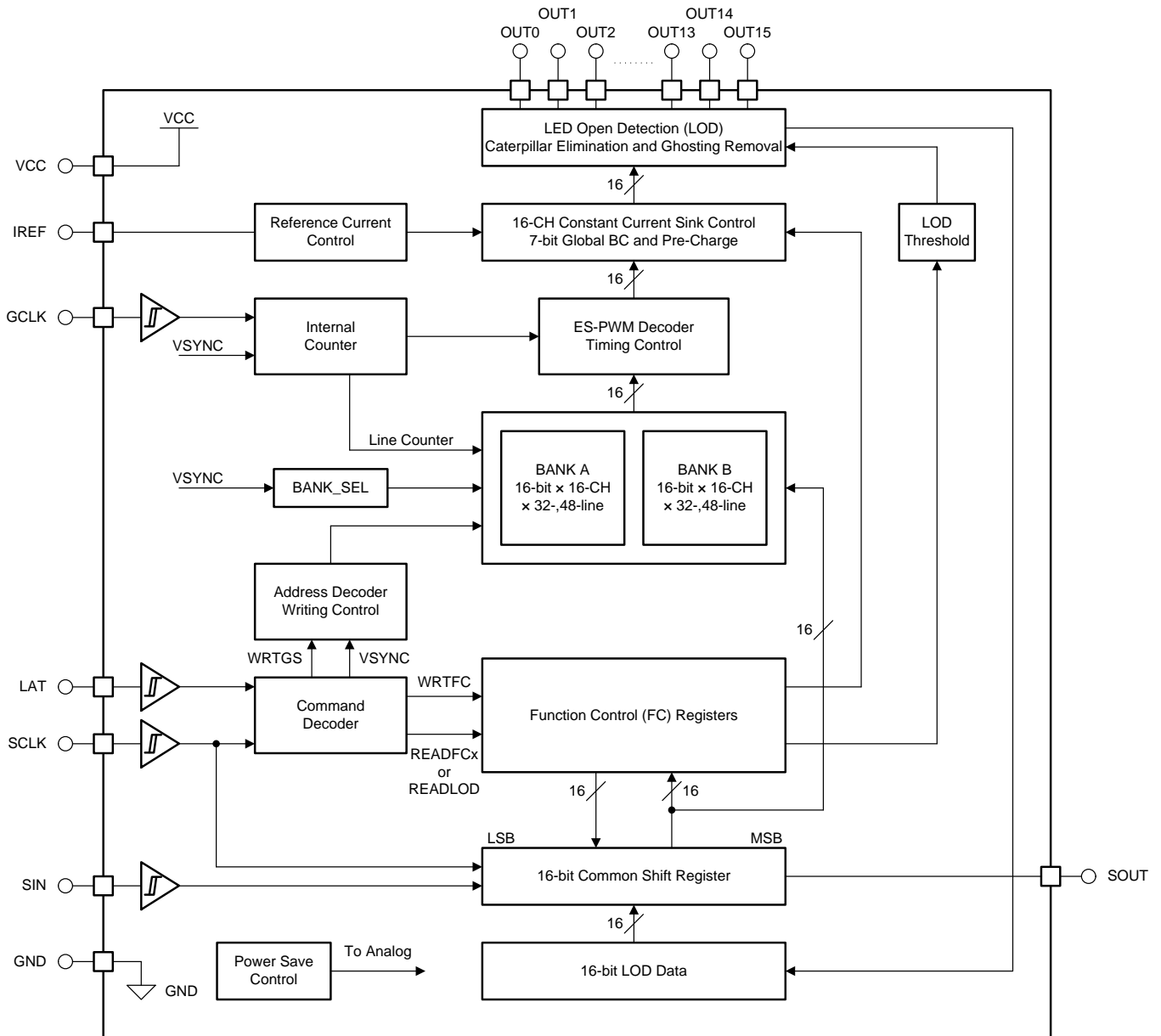
### 9.1 Overview

The TLC694x device is a 16-channel constant-current-sink LED driver supporting 1- to 32-, 48-multiplexing. Each channel has an individually adjustable 65,536-step pulse-width modulation (PWM) grayscale (GS) control. The TLC6946 device implements 16-Kbit display memory and the TLC6948 device implements 24-Kbit display memory to increase the visual refresh rate and to decrease the grayscale data-writing frequency.

The TLC694x device supports current from 0.3 mA to 25 mA for each channel, with typical 1% channel-to-channel current deviation and typical 1% device-to-device current deviation. The maximum current value of all 16 channels is set by an external IREF resistor and can be adjusted by the 128-step global brightness control (BC). The device also implements low-grayscale enhancement technology to solve the coupling issue and improve the display quality in low-grayscale conditions. These features make the TLC694x device a candidate for high-density-multiplexing LED-matrix-display and LED-panel applications.

The TLC694x device integrates enhanced circuits to solve the various display issues in fine-pitch LED display applications: the low-grayscale uniformity issue, coupling issue, ghosting issue, and caterpillar issue. The TLC694x device features an LED-open detection function, and the error detection results can be read via a serial data-interface port. Thermal shutdown and  $I_{REF}$ -resistor short protection ensure a higher system reliability. The TLC694x device also has a smart power-save mode that sets the total current consumption to 1 mA (typical) when all outputs are off.

## 9.2 Functional Block Diagram



## 9.3 Feature Description

### 9.3.1 Built-In 16Kb Display Memory (SRAM)

The TLC6946 device integrates 16K bits of SRAM to support 1- to 32-multiplexing and the TLC6948 device integrates 24K bits of SRAM to support 1- to 48-multiplexing. SRAM is divided into two BANKs: BANK A and BANK B. While BANK A is displaying, BANK B is ready to receive the data of the next frame. While BANK B is displaying, BANK A is ready to receive the data of next frame.

### 9.3.2 GCLK Dual-Edge Operation

The TLC694x device uses the rising edge or both edges of GCLK. The selection is made by setting the GCLK\_EDGE bit in the function control register. By default, the TLC6946 device uses the GCLK rising edge, and the maximum input GCLK frequency is 33 MHz. By setting GCLK\_EDGE = 1, the TLC694x device operates at both GCLK edges (rising and falling), and the maximum internal GCLK frequency is 50 MHz with external 25MHz input.

### 9.3.3 Programmable Constant-Sink Channel Current

#### 9.3.3.1 Global Brightness Control (BC)

The TLC694x device is able to adjust the output current of all constant-current outputs simultaneously. This function is called global brightness control (BC). The global BC for all outputs is programmed with a 7-bit word, thus all output currents can be adjusted in 128 steps from 12.5% to 100.69% for a given current-programming resistor,  $R_{IREF}$  (See [Table 1](#)). BC data can be set through the serial interface. When the BC data changes, the output current also changes immediately. When the device is powered on, the BC data in the function control register is set to 36h as the default value.

**Table 1. Global BC Data vs Constant-Current Ratio and Set Current Value**

| BC DATA                       |                     |                     | GAIN      | RATIO OF GAIN /<br>GAIN_MAX (AT<br>MAX BC) | I <sub>OUT</sub> (mA) (I <sub>OLCmax</sub> = 25<br>mA, TYP) | I <sub>OUT</sub> (mA) (I <sub>OLCmax</sub> =<br>2.4 mA, TYP) |
|-------------------------------|---------------------|---------------------|-----------|--|---|--|
| BINARY                        | DECIMAL             | HEX                 |           |  |   |  |
| 000 0000                      | 0                   | 00                  | 4         | 12.5%                                      | 3.13  | 0.3  |
| 000 0001                      | 1                   | 01                  | 4.22      | 13.19%                                     | 3.3   | 0.32   |
| 000 0010                      | 2                   | 02                  | 4.44      | 13.88%                                     | 3.47  | 0.33   |
| ...                           | ...                 | ...                 | ...       | ...  | ...   | ...  |
| 011 0101                      | 53                  | 35                  | 15.78     | 49.31%                                     | 12.33   | 1.18   |
| <b>011 0110<br/>(Default)</b> | <b>54 (Default)</b> | <b>36 (Default)</b> | <b>16</b> | <b>50%</b>                                 | <b>12.5</b>   | <b>1.2</b>   |
| 011 0111                      | 55                  | 37                  | 16.22     | 50.69%                                     | 12.67   | 1.22   |
| ...                           | ...                 | ...                 | ...       | ...  | ...   | ...  |
| 111 1101                      | 125                 | 7D                  | 31.78     | 99.31%                                     | 24.83   | 2.38   |
| 111 1110                      | 126                 | 7E                  | 32        | 100%                                       | 25  | 2.4  |
| 111 1111                      | 127                 | 7F                  | 32.22     | 100.69%                                    | 25.17   | 2.42   |

#### 9.3.3.2 Select $R_{IREF}$ for a Given BC

The maximum current per channel,  $I_{OLCmax}$ , is determined by resistor  $R_{IREF}$ , placed between the IREF and GND pins. The voltage on IREF is typically 0.8 V.  $R_{IREF}$  can be calculated by [Equation 1](#).

$$R_{IREF} \text{ (k}\Omega\text{)} = \frac{V_{IREF} \text{ (V)}}{I_{OLCmax} \text{ (mA)}} \times \text{Gain} = \frac{V_{IREF} \text{ (V)}}{I_{OLCmax} \text{ (mA)}} \times 32 \times \left( \frac{1}{8} + \frac{BC}{144} \right)$$

where

- $V_{IREF}$  is the internal reference voltage on  $I_{REF}$  (0.8 V)
- $I_{OLCmax}$  is the maximum current for each channel
- Gain is the current gain at BC = 7E (See [Table 1](#))

(1)



$R_{IREF}$  must be between 1.02 k $\Omega$  and 10.7 k $\Omega$  in order to hold the channel sink current  $I_{OLC}$  between 25 mA (typical) and 0.3 mA (typical). Otherwise, the output may be unstable.

**Table 2. Maximum Constant Current vs External Resistor  $R_{IREF}$**

| $I_{OLCmax}$ (mA) | $R_{IREF}$ (k $\Omega$ , typical) |
|-------------------|-----------------------------------|
| 25                | 1.02                              |
| 20                | 1.28                              |
| 15                | 1.71                              |
| 10                | 2.56                              |
| 5                 | 5.12                              |
| 2.4               | 10.7                              |

### 9.3.4 Grayscale (GS) Function (PWM Control)

The TLC694x device can adjust the brightness of each output channel using a pulse-width-modulation (PWM) control scheme. The architecture of 16 bits per channel results in 65536 brightness steps, from 0% up to 100% brightness. The on-time ( $t_{OUT\_ON}$ ) of each output (OUTn) can be calculated by [Equation 2](#).

$$t_{OUT\_ON} = t_{GCLK} \times GS_n$$

where  $GS_n$  is the grayscale of channel OUTn (2)

The TLC694x device implements an enhanced spectrum (ES) PWM control. The ES-PWM control can be selected with two different modes: 8-bit MSB + 8-bit LSB (8+8) mode, and 9-bit MSB + 7-bit LSB (9+7) mode. See [TLC6946 Technical Reference Manual](#) for more details.

### 9.3.5 Serial Data Interface

The TLC6948 has a flexible serial interface that can be connected to microcontrollers or digital signal processors in various ways. Only three pins are needed to input data into the device. More than two TLC6948s can be connected in series by connecting an SOUT pin from one device to the SIN pin of the next device. The SOUT pin can also be connected to the controller to read back data from the TLC6948 device.

### 9.3.6 LED-Open Detection (LOD)

The LED-open detection (LOD) function detects faults caused by an open circuit in any LED string or a short from OUTn to ground with low impedance. It does this by comparing the OUTn voltage to the LOD-detection threshold-voltage level set by LODVTH in the function control register. If the OUTn voltage is lower than the programmed voltage, the corresponding output LOD bit is set to 1 to indicate an open LED. Otherwise, the output of that LOD bit is 0. LOD data output by the detection circuit are valid only during the *on* period of that OUTn output channel.

### 9.3.7 Caterpillar Removal

The TLC694x device implements an internal circuit that can eliminate the caterpillar issue caused by an open LED. The caterpillar effect is a common issue for LED panels. The caterpillar removal function is enabled by setting LODRM\_EN to 1 (default value after device powered on) in the function control register. When this function is enabled, the device automatically detects the open LED, and the corresponding channel does not turn on until device reset.

### 9.3.8 Precharge FET

The TLC694x internal precharge FET can prevent ghosting of multiplexed LED modules. One cause of this phenomenon is the charging current from parasitic capacitance on OUTn through the LED when the supply voltage switches from one common line to the next common line. To prevent this unwanted charging current, the TLC694x device uses an internal FET to pull up OUTn during the common-line switching period. As a result, no charging current flows through LED and ghosting is eliminated.

### 9.3.9 Thermal Shutdown

The thermal shutdown (TSD) function turns off all device constant-current outputs when the junction temperature ( $T_J$ ) exceeds 170°C (typical). It resumes normal operation when  $T_J$  falls below 155°C (typical).

### 9.3.10 IREF Resistor Short Protection (ISP)

The IREF resistor short protection (ISP) function prevents unwanted large currents from flowing through the constant-current output when the IREF resistor is shorted accidentally. The TLC694x device turns off all output channels when the IREF pin voltage is lower than 0.19 V (typical). When the IREF pin voltage goes higher than 0.325 V (typical), the TLC694x device resumes normal operation.

## 9.4 Device Functional Modes

### 9.4.1 Normal Operating Mode

The TLC694x device is fully functional when  $V_{CC}$  reaches 3 V and is below 5.5 V. After power on, all  $OUT_n$  of the TLC694x device are turned off. All the internal counters and function control registers are initialized. Write the proper grayscale data and function control data to enable normal device operation.

### 9.4.2 Power-Save Mode (PSM)

The power-save mode (PSM) is enabled by setting  $PSM\_EN$  to 1 in the function control register.

When powered on, the default value of this bit is 0. When this function is enabled, if all the GS data received for the next frame are 0, then device enters power-save mode during the display of the next frame. When the device is in power-save mode, it resumes normal mode when it detects non-zero GS data input. In power-save mode, part of analog circuits are not operational; the device total current consumption,  $I_{CC}$ , is 1 mA (typical).

## 10 Application and Implementation

### NOTE

Information in the following applications sections is not part of the TI component specification, and TI does not warrant its accuracy or completeness. TI's customers are responsible for determining suitability of components for their purposes. Customers should validate and test their design implementation to confirm system functionality.

### 10.1 Application Information

The TLC6948 device is a 16-channel constant-current sink LED driver supporting 1- to 48-multiplexing. Each channel has an individually adjustable 65,536-step pulse-width-modulation (PWM) grayscale (GS) control. The TLC6948 device implements 24 Kbits of display memory to increase the visual refresh rate and to decrease the grayscale data writing frequency. This integrated memory makes TLC6948 a potential for high-density, fine-pitch LED matrix applications.

### 10.2 Typical Application

The TLC6948 is typically connected in series to drive the LED matrix with only a few controller ports. Figure 16 shows a typical application diagram with TLC6948 devices connected in cascade for an LED matrix.

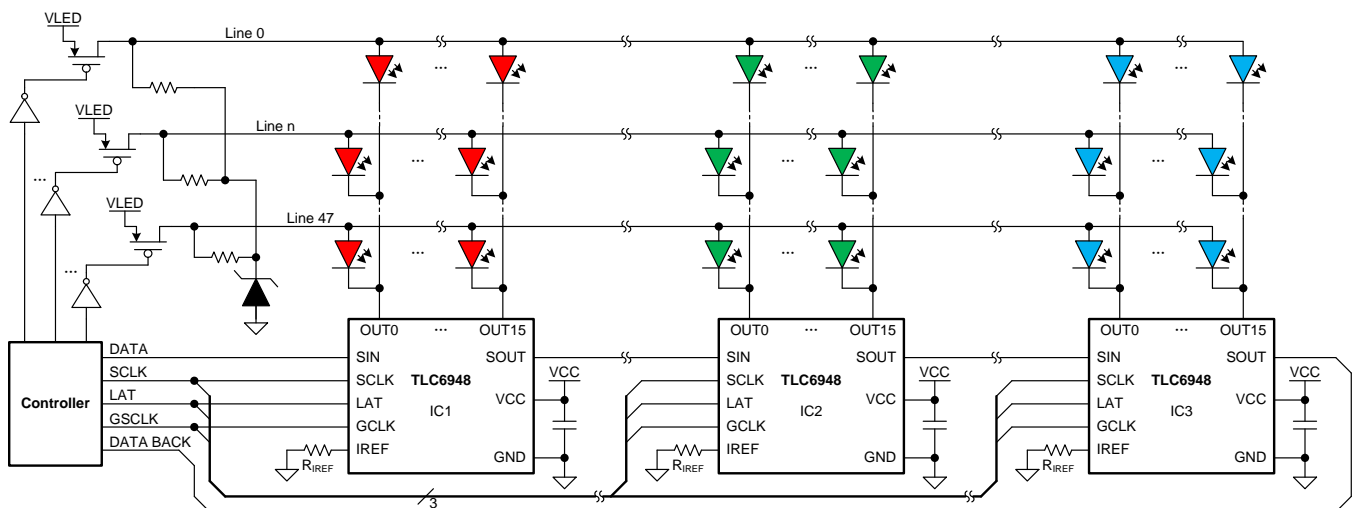


Figure 16. Cascading Three TLC6948 Devices

#### 10.2.1 Design Requirements

For this design example, use the following as the input parameters.

Table 3. Design Parameters

| DESIGN PARAMETER                                    | EXAMPLE VALUE                              |
|---|--|
| $V_{CC}$ and $V_{LED}$ voltage                      | 3 V to 5.5 V                               |
| SIN, SCLK, LAT, and GCLK voltage range              | Low level = GND, high level = $V_{CC}$     |
| The maximum LED forward voltage, $V_{(F)}$          | Red LED 2V, green and blue LED 3V          |
| The maximum current for each color LED, $I_{OLmax}$ | Red LED 10mA, green LED 6mA, blue LED 4mA. |

## 10.2.2 Detailed Design Procedures

### 10.2.2.1 Power Supply Voltage

The LED power supply voltage  $V_{LED}$  must be higher than  $V_{(F)} + V_{(KNEE)}$ . The device power supply voltage,  $V_{CC}$ , should be equal or higher than  $V_{LED}$ . One example value is  $V_{LED} = V_{CC} = 3.8$  V. See [TLC6946 Technical Reference Manual](#) for more details.

### 10.2.2.2 Channel Current and Brightness Control

See [Global Brightness Control \(BC\)](#) and [Select  \$R\_{IREF}\$  for a Given BC](#). Select the reference-current-setting resistor  $R_{IREF}$  to set the maximum channel current for each color LED. Select the BC data for the best white balance of the red, green, and blue LED lamp. See [TLC6946 Technical Reference Manual](#) for more details.

### 10.2.2.3 SCLK and GCLK Frequency

SCLK is the serial data shift-in clock signal; and GCLK is the PWM-control reference-clock signal. [Equation 3](#) shows the minimum frequency requirement for GCLK and SCLK. See [TLC6946 Technical Reference Manual](#) for more details.

$$f_{GCLK} = m \times n \times f_{VR}$$

$$f_{SCLK} = N \times n \times 256 \times f_{FPS}$$

where

- $f_{GCLK}$  is the minimum GCLK frequency for single-edge operating mode
- $f_{SCLK}$  is the minimum SCLK frequency
- $m$  is the GCLK number of each sub-period, determined by the PWM mode selected
- $f_{VR}$  is the visual refresh rate of the entire cascading series
- $N$  is the number of cascaded TLC6948 devices
- $n$  is the number of scan lines
- $f_{FPS}$  is the frame rate

(3)

### 10.2.3 Application Curves

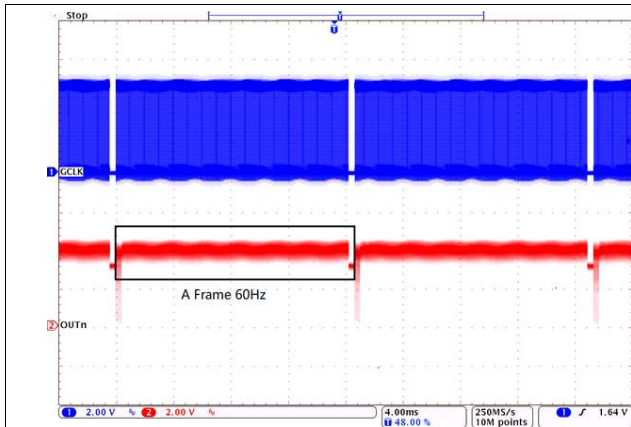


Figure 17. OUTn Waveform for ES-PWM Mode (GSn = 0001h)

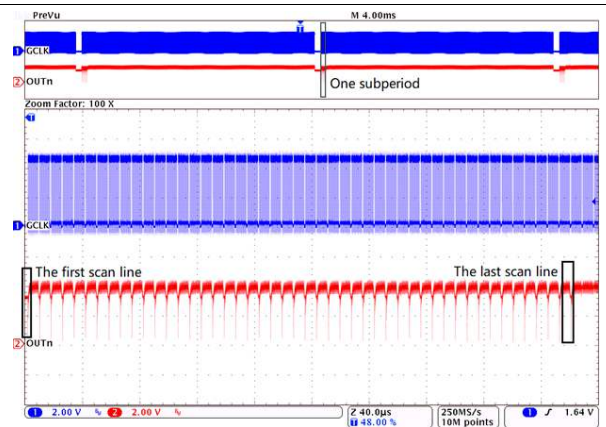


Figure 18. OUTn Waveform for ES-PWM Mode Zooming in One Sub-period (GSn = 0001h)

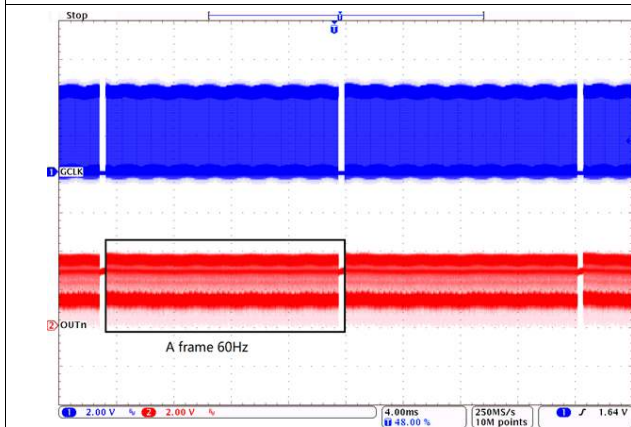


Figure 19. OUTn Waveform for ES-PWM Mode (GSn = FFFFh)

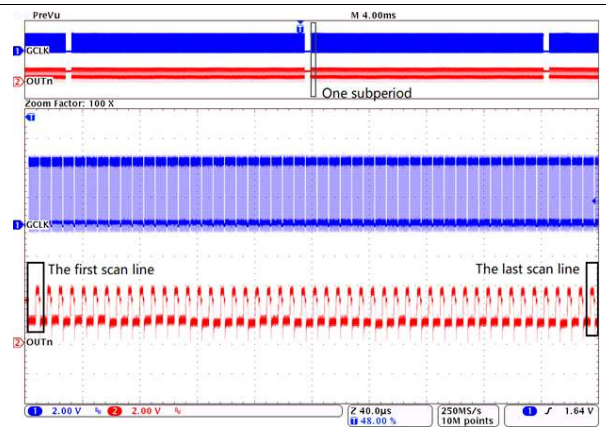


Figure 20. OUTn Waveform for ES-PWM Mode Zooming in One Sub-period (GSn = FFFFh)

## 11 Power Supply Recommendations

Decouple the  $V_{CC}$  power supply voltage by placing a 0.1- $\mu$ F ceramic capacitor close to the  $V_{CC}$  pin and GND plane. Depending on panel size, several equally distributed electrolytic capacitors must be placed on the board for a well-regulated LED supply voltage  $V_{LED}$ .  $V_{LED}$  voltage ripple must be less than 5% of its nominal value.

## 12 Layout

### 12.1 Layout Guidelines

Place the decoupling capacitor near the  $V_{CC}$  pin and GND plane.

Place the current-programming resistor,  $R_{IREF}$ , close to the IREF pin and the GND pin.

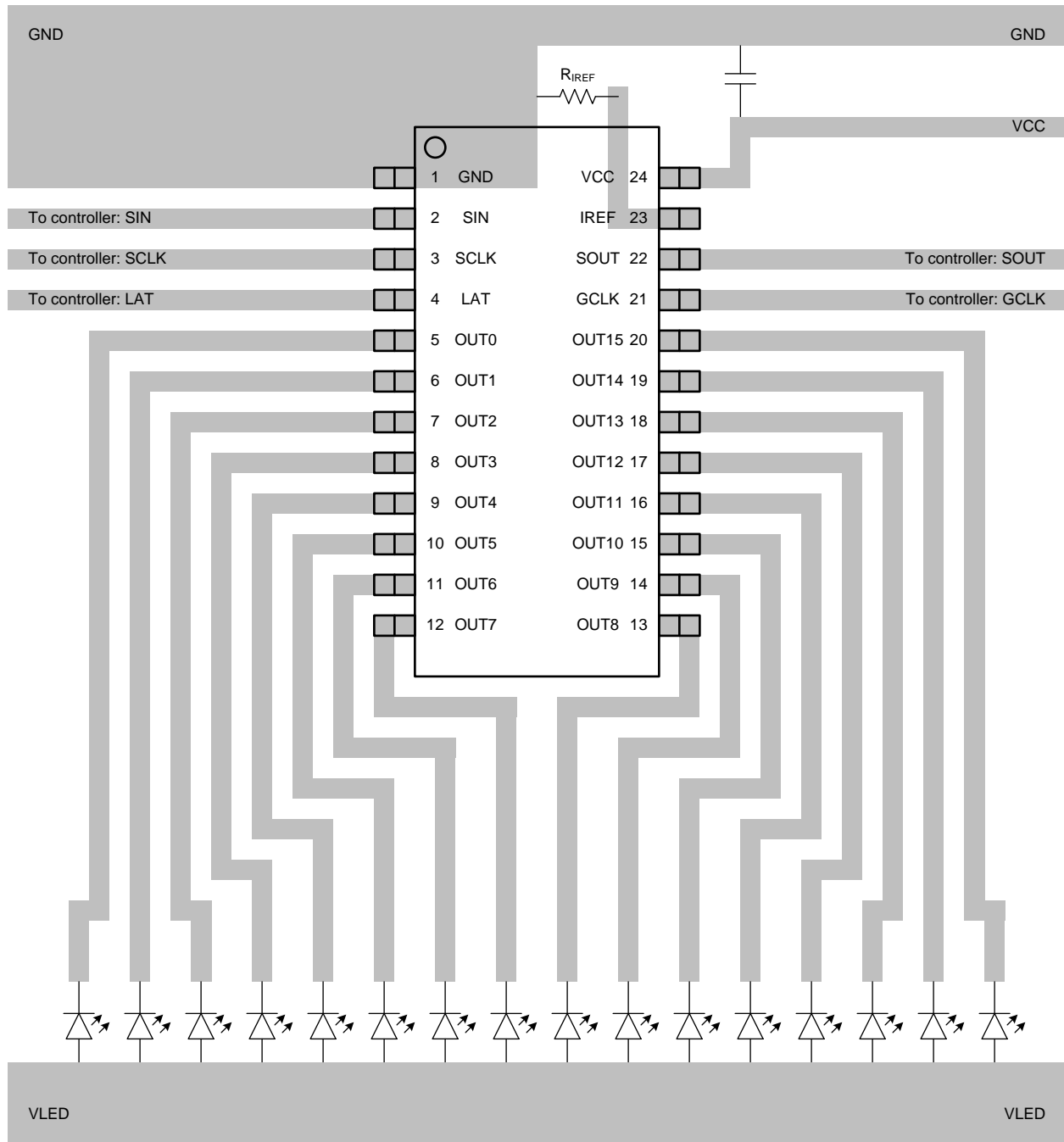
Make the GND trace as wide as possible for large GND currents.

Routing between the LED cathode and the device OUTn pin must be as short and straight as possible to reduce wire inductance.

The thermal pad (QFN package) must be connected to the GND plane. Because the thermal pad is used as a power ground pin internally, there is a large current flow through this pad when all channels turn on. Furthermore, connect the thermal pad to a heat sink layer by thermal vias to reduce device temperature. One suggested thermal via pattern is shown in [Layout Examples](#). For more information about suggested thermal via pattern and via size, see [PowerPAD Thermally Enhanced Package](#).

MOSFETs must be placed in the middle of the board, which should be laid out as symmetrically as possible.

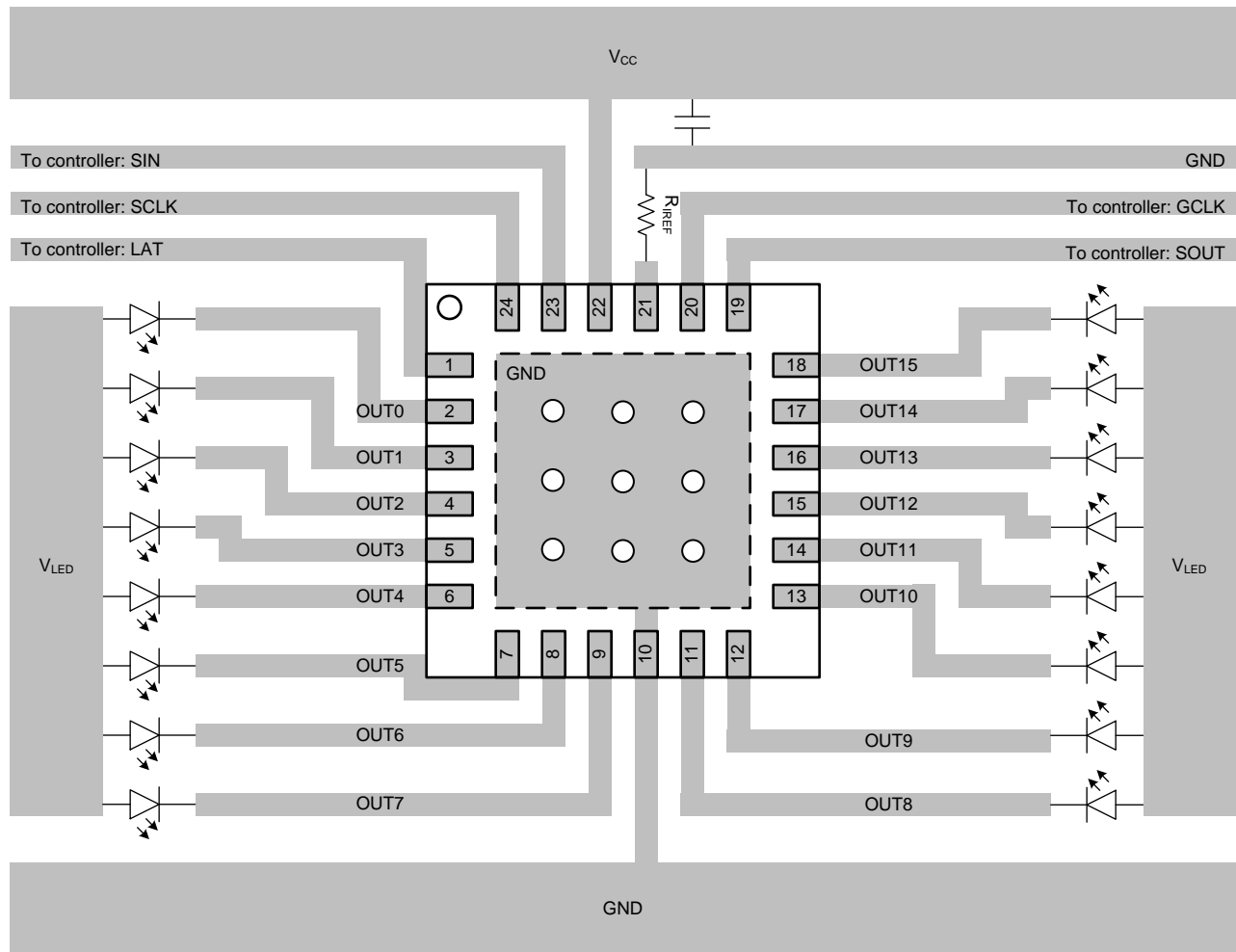
## 12.2 Layout Examples



Copyright © 2017, Texas Instruments Incorporated

**Figure 21. SSOP-24 Package Layout Example**

**Layout Examples (continued)**



Copyright © 2018, Texas Instruments Incorporated

**Figure 22. VQFN-24 Package Layout Example**



## 13 Device and Documentation Support

### 13.1 Documentation Support

#### 13.1.1 Related Documentation

For related documentation see the following:

- [TLC694x 16-Channel LED Driver Technical Reference Manual](#)
- [Semiconductor and IC Package Thermal Metrics](#)

### 13.2 Related Links

[Table 4](#) lists quick access links. Categories include technical documents, support and community resources, tools and software, and quick access to order now.

**Table 4. Related Links**

| PARTS   | PRODUCT FOLDER             | ORDER NOW                  | TECHNICAL DOCUMENTS        | TOOLS & SOFTWARE           | SUPPORT & COMMUNITY        |
|---------|----------------------------|----------------------------|----------------------------|----------------------------|----------------------------|
| TLC6946 | <a href="#">Click here</a> | <a href="#">Click here</a> | <a href="#">Click here</a> | <a href="#">Click here</a> | <a href="#">Click here</a> |
| TLC6948 | <a href="#">Click here</a> | <a href="#">Click here</a> | <a href="#">Click here</a> | <a href="#">Click here</a> | <a href="#">Click here</a> |

### 13.3 Receiving Notification of Documentation Updates

To receive notification of documentation updates, navigate to the device product folder on ti.com. In the upper right corner, click on *Alert me* to register and receive a weekly digest of any product information that has changed. For change details, review the revision history included in any revised document.

### 13.4 Community Resources

The following links connect to TI community resources. Linked contents are provided "AS IS" by the respective contributors. They do not constitute TI specifications and do not necessarily reflect TI's views; see TI's [Terms of Use](#).

**TI E2E™ Online Community** *TI's Engineer-to-Engineer (E2E) Community*. Created to foster collaboration among engineers. At e2e.ti.com, you can ask questions, share knowledge, explore ideas and help solve problems with fellow engineers.

**Design Support** *TI's Design Support* Quickly find helpful E2E forums along with design support tools and contact information for technical support.

### 13.5 Trademarks

E2E is a trademark of Texas Instruments.  
All other trademarks are the property of their respective owners.

### 13.6 Electrostatic Discharge Caution



This integrated circuit can be damaged by ESD. Texas Instruments recommends that all integrated circuits be handled with appropriate precautions. Failure to observe proper handling and installation procedures can cause damage.

ESD damage can range from subtle performance degradation to complete device failure. Precision integrated circuits may be more susceptible to damage because very small parametric changes could cause the device not to meet its published specifications.

### 13.7 Glossary

[SLYZ022](#) — *TI Glossary*.

This glossary lists and explains terms, acronyms, and definitions.

## 14 Mechanical, Packaging, and Orderable Information

The following pages include mechanical, packaging, and orderable information. This information is the most-current data available for the designated device. This data is subject to change without notice and without revision of this document. For browser-based versions of this data sheet, see the left-hand navigation pane.

**PACKAGING INFORMATION**

| Orderable Device | Status<br>(1) | Package Type | Package Drawing | Pins | Package Qty | Eco Plan<br>(2) | Lead finish/<br>Ball material<br>(6) | MSL Peak Temp<br>(3) | Op Temp (°C) | Device Marking<br>(4/5) | Samples                 |
|------------------|---------------|--------------|-----------------|------|-------------|-----------------|--------------------------------------|----------------------|--------------|-------------------------|-------------------------|
| TLC6946DBQR      | ACTIVE        | SSOP         | DBQ             | 24   | 2500        | RoHS & Green    | NIPDAU                               | Level-3-260C-168 HR  | -40 to 85    | TLC6946                 | <a href="#">Samples</a> |
| TLC6946RGER      | ACTIVE        | VQFN         | RGE             | 24   | 3000        | RoHS & Green    | NIPDAU                               | Level-1-260C-UNLIM   | -40 to 85    | TLC<br>6946             | <a href="#">Samples</a> |
| TLC6948DBQR      | ACTIVE        | SSOP         | DBQ             | 24   | 2500        | RoHS & Green    | NIPDAU                               | Level-3-260C-168 HR  | -40 to 85    | TLC6948                 | <a href="#">Samples</a> |
| TLC6948RGER      | ACTIVE        | VQFN         | RGE             | 24   | 3000        | RoHS & Green    | NIPDAU                               | Level-1-260C-UNLIM   | -40 to 85    | TLC<br>6948             | <a href="#">Samples</a> |

(1) The marketing status values are defined as follows:

**ACTIVE:** Product device recommended for new designs.

**LIFEBUY:** TI has announced that the device will be discontinued, and a lifetime-buy period is in effect.

**NRND:** Not recommended for new designs. Device is in production to support existing customers, but TI does not recommend using this part in a new design.

**PREVIEW:** Device has been announced but is not in production. Samples may or may not be available.

**OBSOLETE:** TI has discontinued the production of the device.

(2) **RoHS:** TI defines "RoHS" to mean semiconductor products that are compliant with the current EU RoHS requirements for all 10 RoHS substances, including the requirement that RoHS substance do not exceed 0.1% by weight in homogeneous materials. Where designed to be soldered at high temperatures, "RoHS" products are suitable for use in specified lead-free processes. TI may reference these types of products as "Pb-Free".

**RoHS Exempt:** TI defines "RoHS Exempt" to mean products that contain lead but are compliant with EU RoHS pursuant to a specific EU RoHS exemption.

**Green:** TI defines "Green" to mean the content of Chlorine (Cl) and Bromine (Br) based flame retardants meet JS709B low halogen requirements of <=1000ppm threshold. Antimony trioxide based flame retardants must also meet the <=1000ppm threshold requirement.

(3) MSL, Peak Temp. - The Moisture Sensitivity Level rating according to the JEDEC industry standard classifications, and peak solder temperature.

(4) There may be additional marking, which relates to the logo, the lot trace code information, or the environmental category on the device.

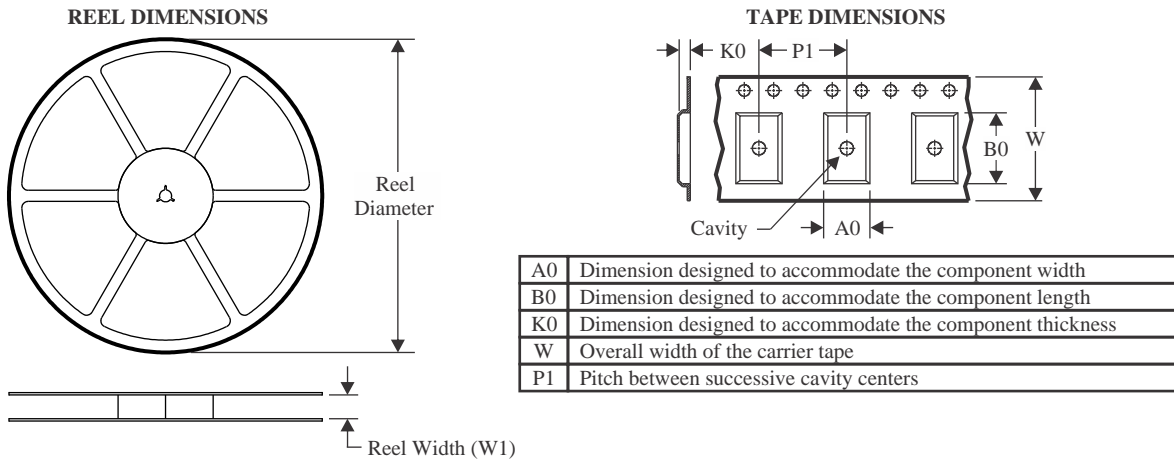
(5) Multiple Device Markings will be inside parentheses. Only one Device Marking contained in parentheses and separated by a "~" will appear on a device. If a line is indented then it is a continuation of the previous line and the two combined represent the entire Device Marking for that device.

(6) Lead finish/Ball material - Orderable Devices may have multiple material finish options. Finish options are separated by a vertical ruled line. Lead finish/Ball material values may wrap to two lines if the finish value exceeds the maximum column width.

**Important Information and Disclaimer:**The information provided on this page represents TI's knowledge and belief as of the date that it is provided. TI bases its knowledge and belief on information provided by third parties, and makes no representation or warranty as to the accuracy of such information. Efforts are underway to better integrate information from third parties. TI has taken and

continues to take reasonable steps to provide representative and accurate information but may not have conducted destructive testing or chemical analysis on incoming materials and chemicals. TI and TI suppliers consider certain information to be proprietary, and thus CAS numbers and other limited information may not be available for release.

In no event shall TI's liability arising out of such information exceed the total purchase price of the TI part(s) at issue in this document sold by TI to Customer on an annual basis.

**TAPE AND REEL INFORMATION**

**QUADRANT ASSIGNMENTS FOR PIN 1 ORIENTATION IN TAPE**


\*All dimensions are nominal

| Device      | Package Type | Package Drawing | Pins | SPQ  | Reel Diameter (mm) | Reel Width W1 (mm) | A0 (mm) | B0 (mm) | K0 (mm) | P1 (mm) | W (mm) | Pin1 Quadrant |
|-------------|--------------|-----------------|------|------|--------------------|--------------------|---------|---------|---------|---------|--------|---------------|
| TLC6946DBQR | SSOP         | DBQ             | 24   | 2500 | 330.0              | 16.4               | 6.5     | 9.0     | 2.1     | 8.0     | 16.0   | Q1            |
| TLC6946RGER | VQFN         | RGE             | 24   | 3000 | 330.0              | 12.4               | 4.25    | 4.25    | 1.15    | 8.0     | 12.0   | Q2            |
| TLC6948DBQR | SSOP         | DBQ             | 24   | 2500 | 330.0              | 16.4               | 6.5     | 9.0     | 2.1     | 8.0     | 16.0   | Q1            |
| TLC6948RGER | VQFN         | RGE             | 24   | 3000 | 330.0              | 12.4               | 4.25    | 4.25    | 1.15    | 8.0     | 12.0   | Q2            |

**TAPE AND REEL BOX DIMENSIONS**


\*All dimensions are nominal

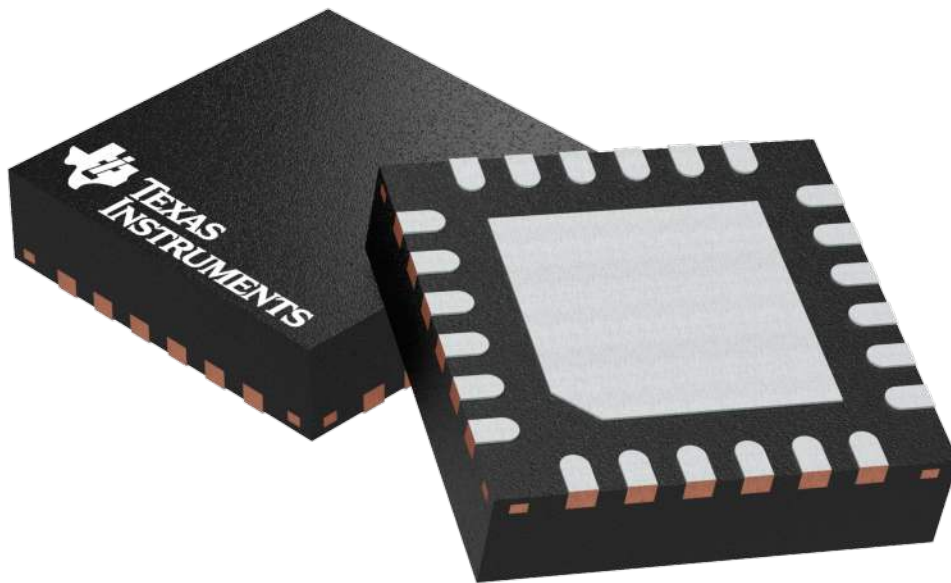
| Device      | Package Type | Package Drawing | Pins | SPQ  | Length (mm) | Width (mm) | Height (mm) |
|-------------|--------------|-----------------|------|------|-------------|------------|-------------|
| TLC6946DBQR | SSOP         | DBQ             | 24   | 2500 | 356.0       | 356.0      | 35.0        |
| TLC6946RGER | VQFN         | RGE             | 24   | 3000 | 367.0       | 367.0      | 35.0        |
| TLC6948DBQR | SSOP         | DBQ             | 24   | 2500 | 356.0       | 356.0      | 35.0        |
| TLC6948RGER | VQFN         | RGE             | 24   | 3000 | 367.0       | 367.0      | 35.0        |

**RGE 24**

**GENERIC PACKAGE VIEW**

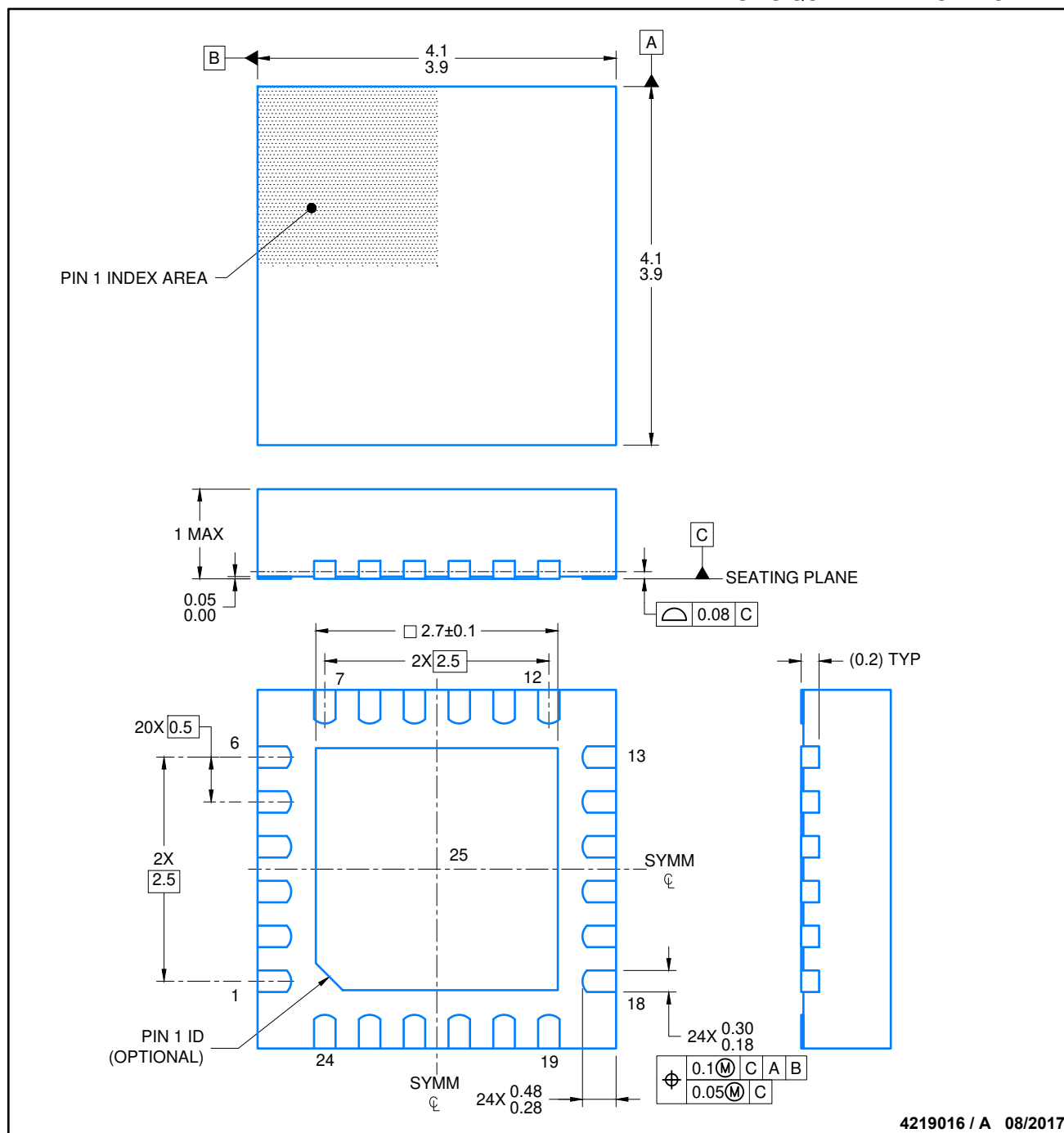
**VQFN - 1 mm max height**

PLASTIC QUAD FLATPACK - NO LEAD



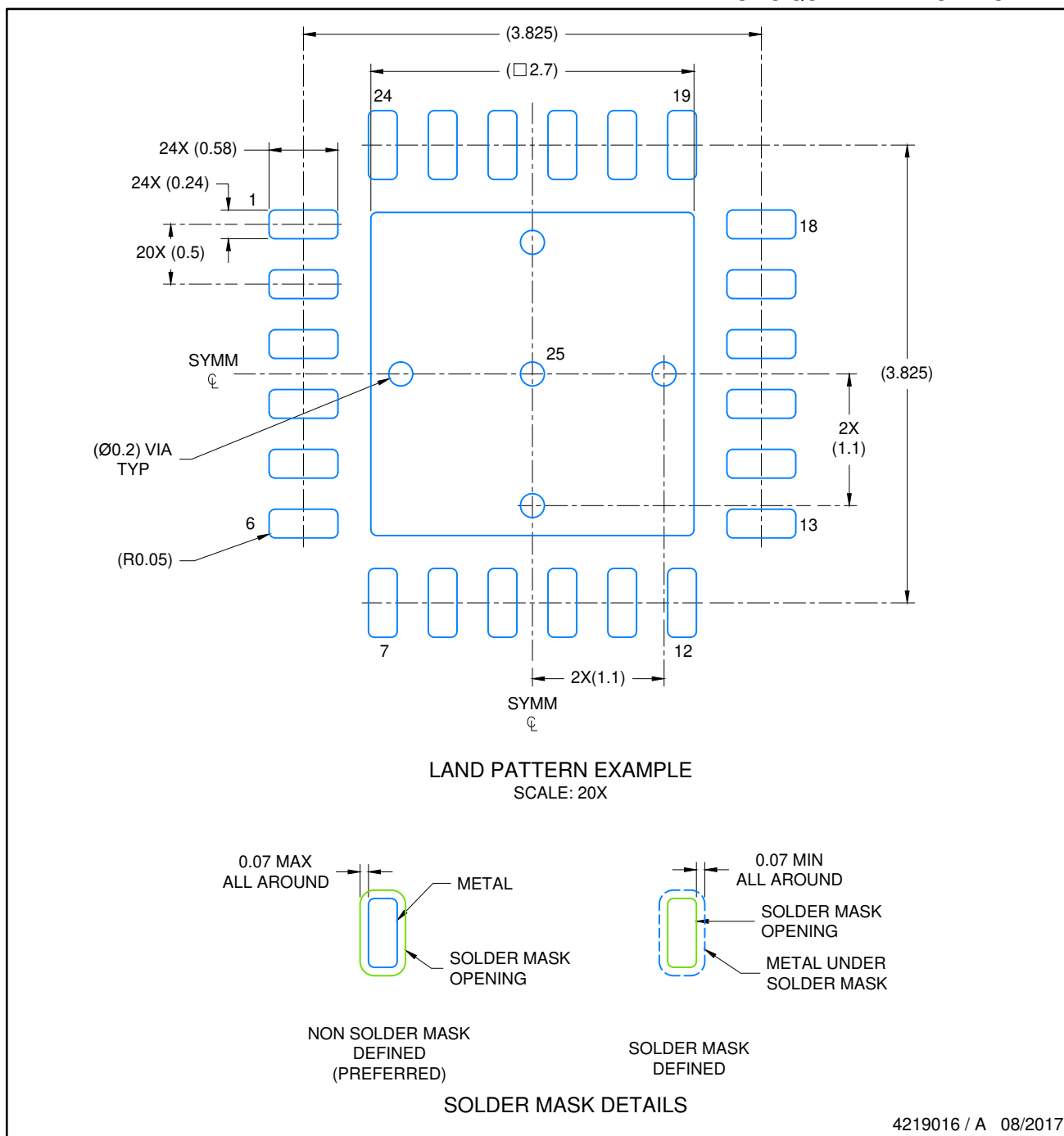
Images above are just a representation of the package family, actual package may vary.  
Refer to the product data sheet for package details.

4204104/H



NOTES:

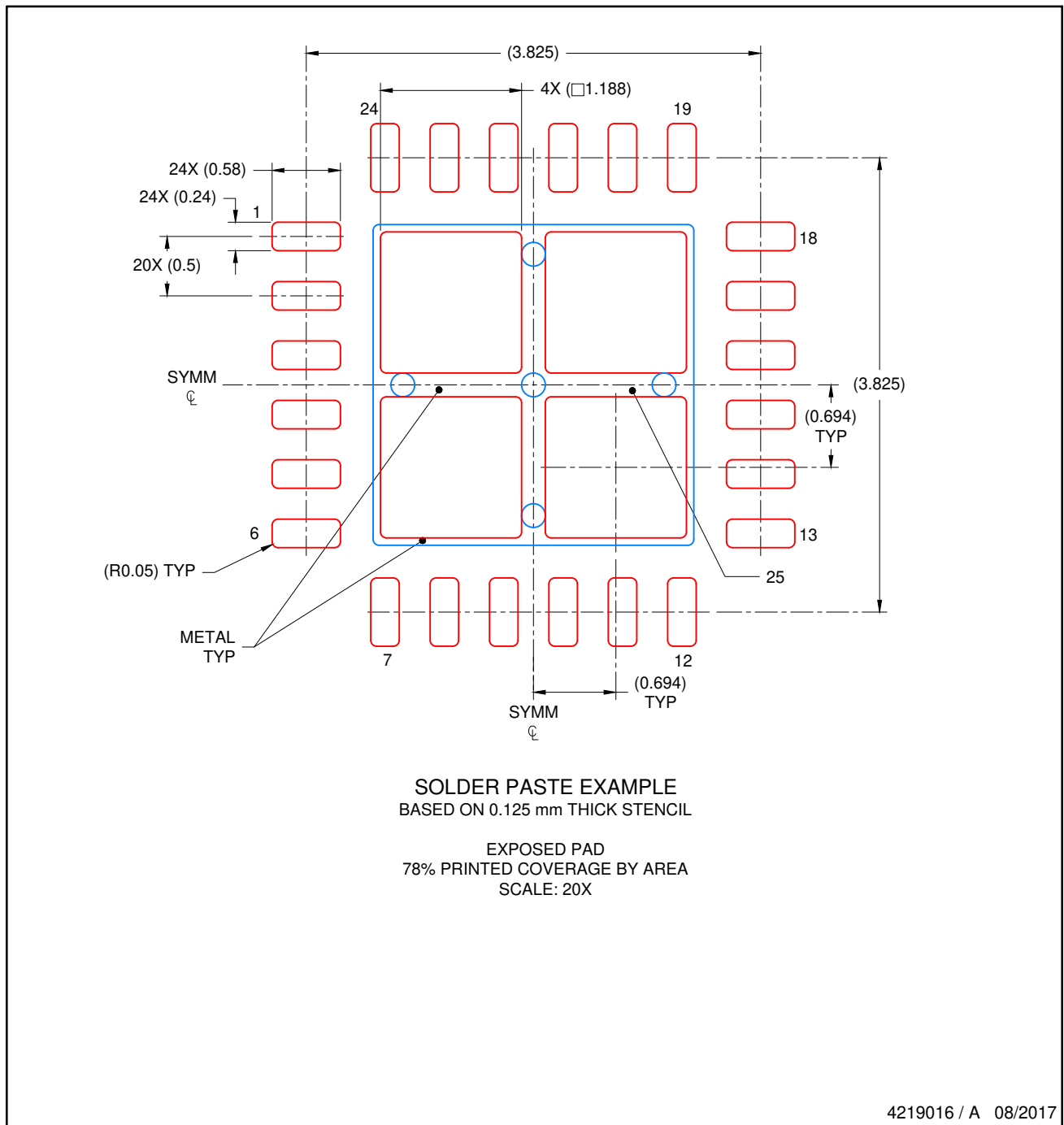
1. All linear dimensions are in millimeters. Any dimensions in parenthesis are for reference only. Dimensioning and tolerancing per ASME Y14.5M.
2. This drawing is subject to change without notice.
3. The package thermal pad must be soldered to the printed circuit board for thermal and mechanical performance.



NOTES: (continued)

4. This package is designed to be soldered to a thermal pad on the board. For more information, see Texas Instruments literature number SLUA271 ([www.ti.com/lit/slua271](http://www.ti.com/lit/slua271)).
5. Solder mask tolerances between and around signal pads can vary based on board fabrication site.



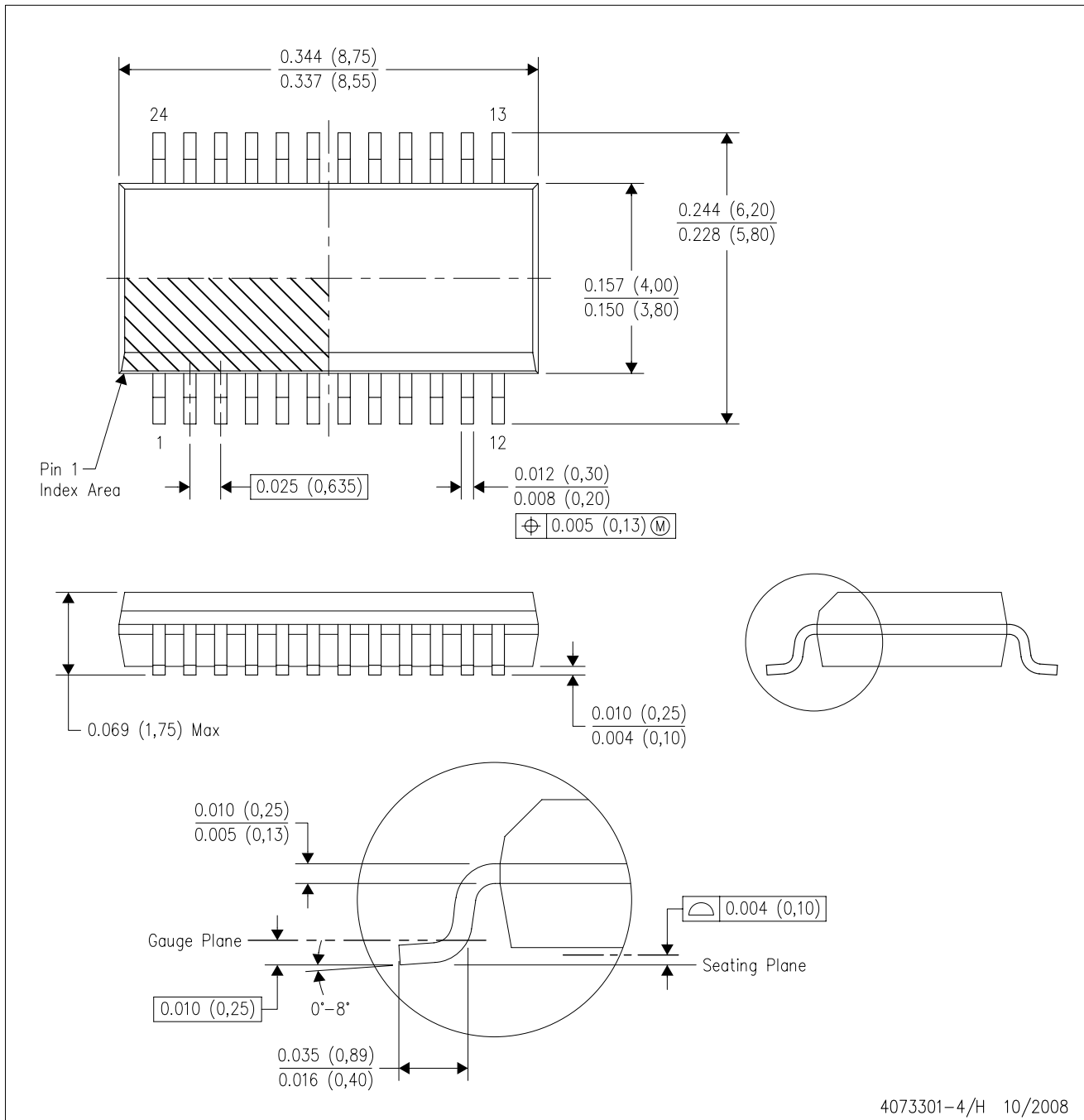


NOTES: (continued)

- 6. Laser cutting apertures with trapezoidal walls and rounded corners may offer better paste release. IPC-7525 may have alternate design recommendations..

DBQ (R-PDSO-G24)

PLASTIC SMALL-OUTLINE PACKAGE



- NOTES:
- A. All linear dimensions are in inches (millimeters).
  - B. This drawing is subject to change without notice.
  - C. Body dimensions do not include mold flash or protrusion not to exceed 0.006 (0,15) per side.
  - D. Falls within JEDEC MO-137 variation AE.

## IMPORTANT NOTICE AND DISCLAIMER

TI PROVIDES TECHNICAL AND RELIABILITY DATA (INCLUDING DATA SHEETS), DESIGN RESOURCES (INCLUDING REFERENCE DESIGNS), APPLICATION OR OTHER DESIGN ADVICE, WEB TOOLS, SAFETY INFORMATION, AND OTHER RESOURCES "AS IS" AND WITH ALL FAULTS, AND DISCLAIMS ALL WARRANTIES, EXPRESS AND IMPLIED, INCLUDING WITHOUT LIMITATION ANY IMPLIED WARRANTIES OF MERCHANTABILITY, FITNESS FOR A PARTICULAR PURPOSE OR NON-INFRINGEMENT OF THIRD PARTY INTELLECTUAL PROPERTY RIGHTS.

These resources are intended for skilled developers designing with TI products. You are solely responsible for (1) selecting the appropriate TI products for your application, (2) designing, validating and testing your application, and (3) ensuring your application meets applicable standards, and any other safety, security, regulatory or other requirements.

These resources are subject to change without notice. TI grants you permission to use these resources only for development of an application that uses the TI products described in the resource. Other reproduction and display of these resources is prohibited. No license is granted to any other TI intellectual property right or to any third party intellectual property right. TI disclaims responsibility for, and you will fully indemnify TI and its representatives against, any claims, damages, costs, losses, and liabilities arising out of your use of these resources.

TI's products are provided subject to [TI's Terms of Sale](#) or other applicable terms available either on [ti.com](http://ti.com) or provided in conjunction with such TI products. TI's provision of these resources does not expand or otherwise alter TI's applicable warranties or warranty disclaimers for TI products.

TI objects to and rejects any additional or different terms you may have proposed.

Mailing Address: Texas Instruments, Post Office Box 655303, Dallas, Texas 75265  
Copyright © 2022, Texas Instruments Incorporated