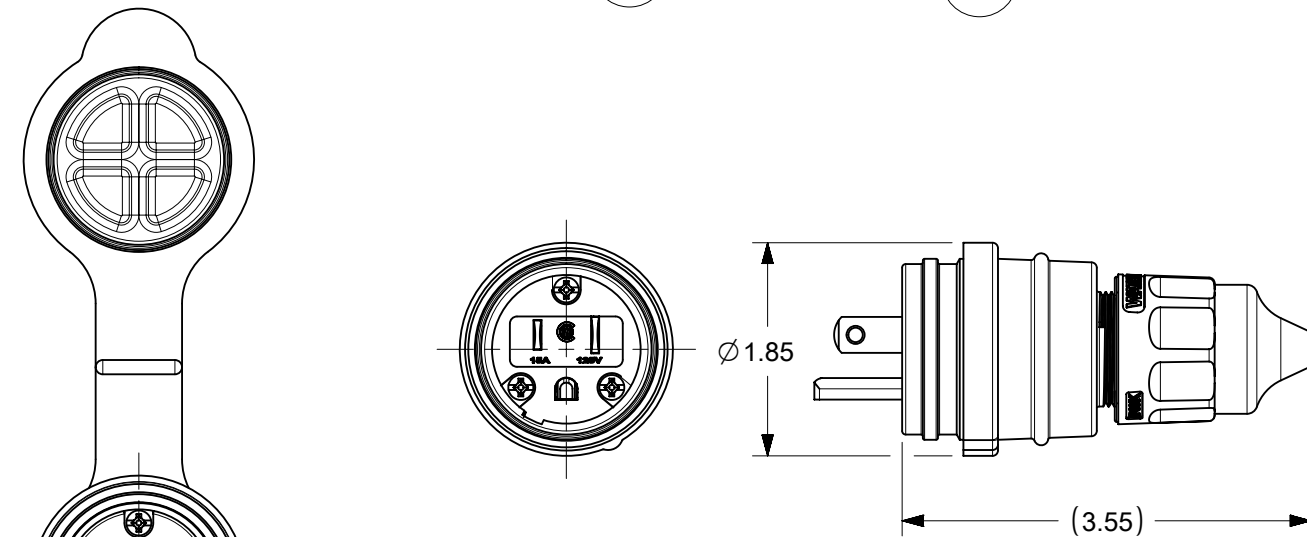
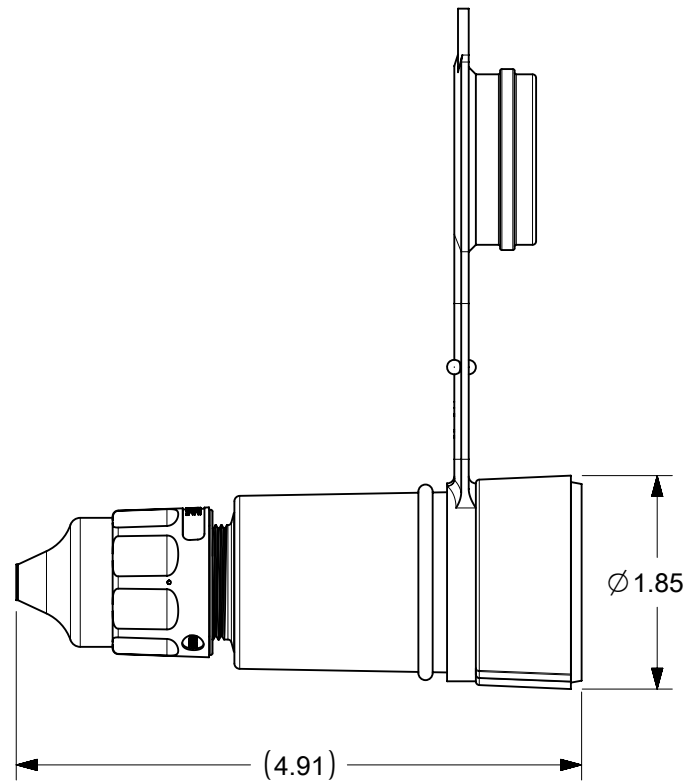
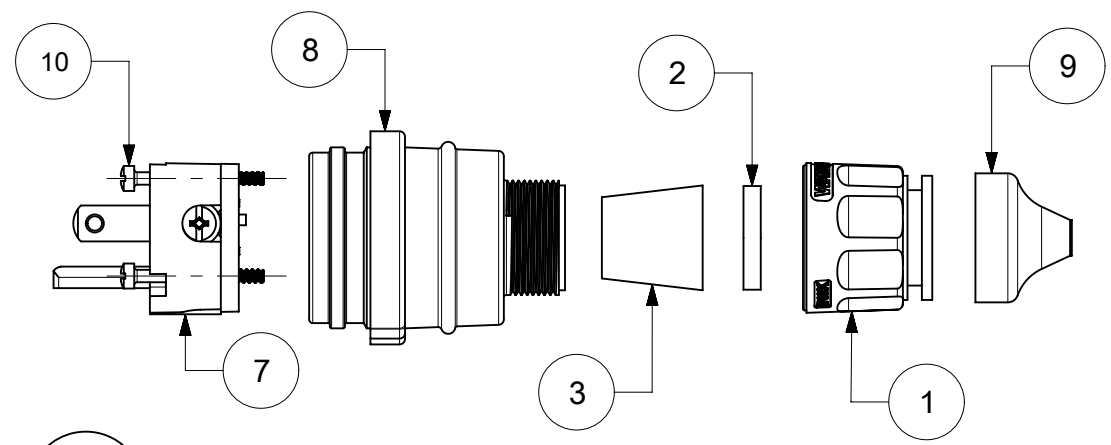
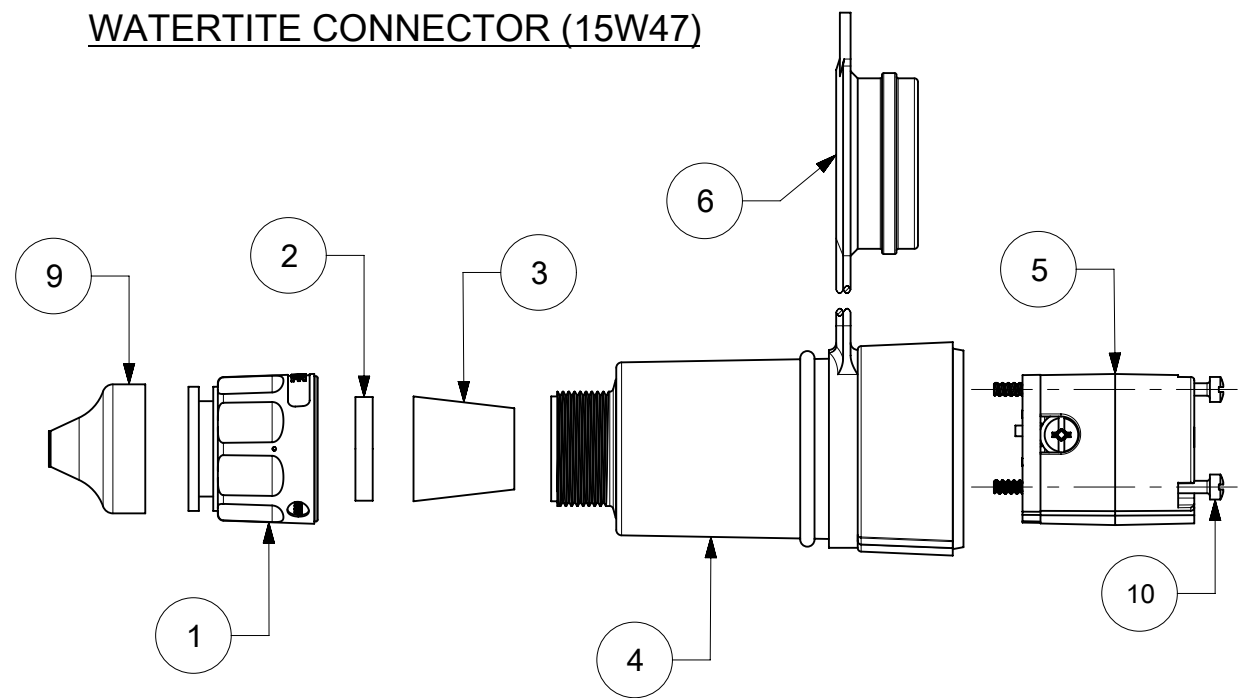


WATERTITE CONNECTOR (15W47)

WATERTITE PLUG (14W47)



PRE-RELEASE
REFERENCE
USE ONLY

ITEM NO.	DESCRIPTION	MATERIAL	QTY.
1	COMPRESSION NUT YELLOW	NYLON	2
2	FRICTION RING	NYLON	2
3	GROMMET	RUBBER	11
4	WATERTITE - FEMALE HUSK	SILICONE	1
5	FEMALE INSERT ASSY.	NYLON, POLYCARBONATE, BRASS PLATING - NICKEL OR ZINC	1
6	CLOSURE CAP YELLOW	SILICONE	1
7	MALE INSERT ASSY.	NYLON, POLYCARBONATE, BRASS PLATING - NICKEL OR ZINC	1
8	WATERTITE - MALE HUSK	SILICONE	1
9	CABLE GLOVE	SILICONE	2
10	RETAINING SCREW	STAINLESS STEEL	6

MATERIAL NO.	ENGINEERING NO.	DESCRIPTION
1301460003	05630	14W47 & 15W47 W/1 EA 00-4940 PACKEDINPEB

THIS DRAWING CONTAINS INFORMATION THAT IS PROPRIETARY TO MOLEX ELECTRONIC TECHNOLOGIES, LLC AND SHOULD NOT BE USED WITHOUT WRITTEN PERMISSION			
SYMBOLS		CURRENT REV DESC: NEW RELEASE	
▽ = 0	INCH	SCALE	EC NO: 629190 DRWN: PPURSUTANDEL 2019/09/10 CHK'D: DNGUYEN62 2019/12/17 APPR:
▽ = 0	NTS	GENERAL TOLERANCES (UNLESS SPECIFIED)	
▽ = 0	ANGULAR TOL ± °	4 PLACES ±	INITIAL REVISION: DRWN: PPURSUTANDEL 2019/09/10 APPR:
▽ = 0	3 PLACES ±	3 PLACES ±	
▽ = 0	2 PLACES ±	2 PLACES ±	DRAFT WHERE APPLICABLE MUST REMAIN WITHIN DIMENSIONS
▽ = 0	1 PLACE ±	1 PLACE ±	
▽ = 0	0 PLACES ±	0 PLACES ±	THIRD ANGLE PROJECTION
■ = 0	DRAWING		SERIES
▽ = 0	B-SIZE		130146

PRODUCT CUSTOMER DRAWING		
DOCUMENT NUMBER	DOC TYPE	DOC PART
1301460003	PSD	000
CUSTOMER		SHEET NUMBER
GENERAL MARKET		1 OF 1