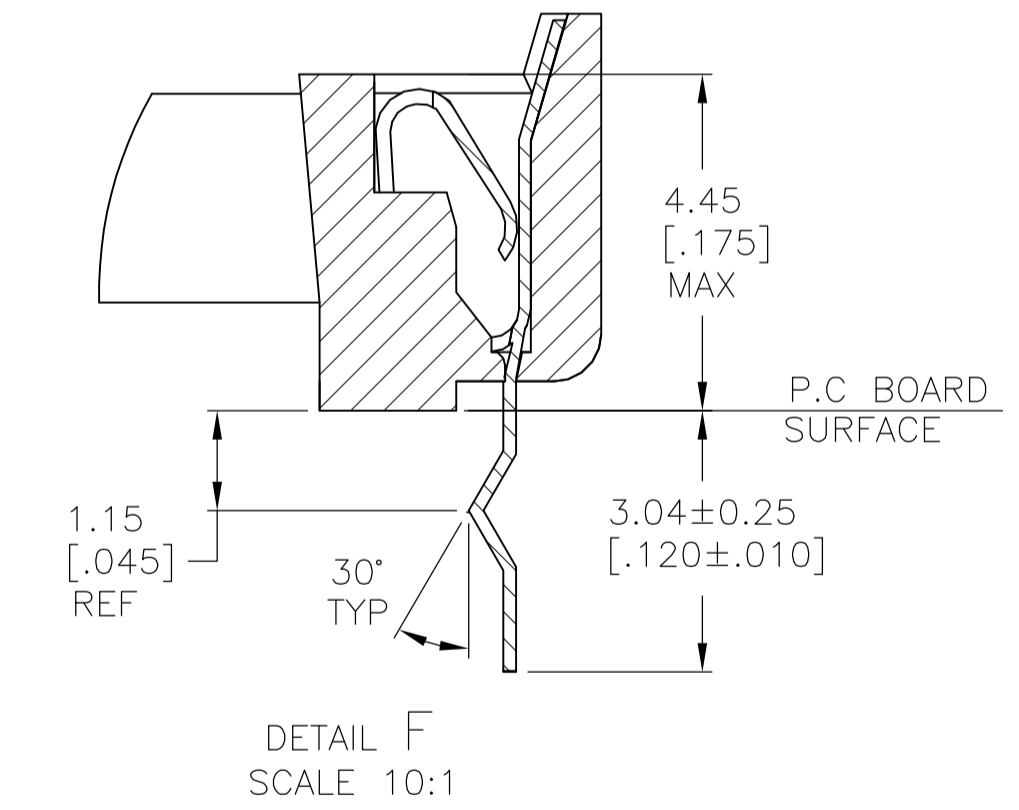
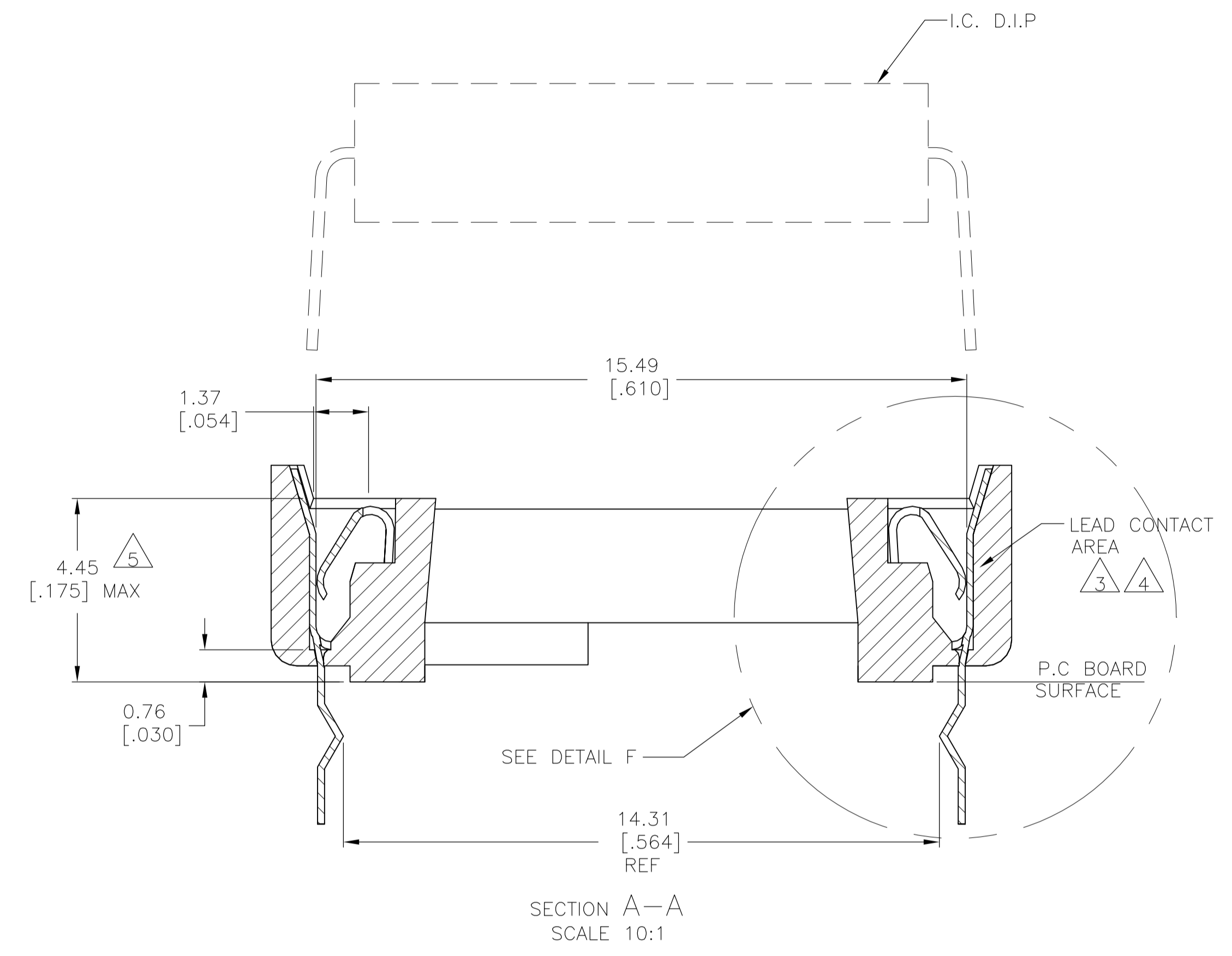


RECOMMENDED MOUNTING HOLE PATTERN
SCALE 4:1

- RECEPTACLE ACCEPTS A .008-.014 THICK I.C. LEAD.
- TUBE LOADED FOR AUTOMATIC INSERTION.
- BECCU CONTACT-PLATED WITH TWO .000030 MIN THK. GOLD STRIPES IN CONTACT AREA WITH TIN ON CONTACT LEGS, BALANCE OF CONTACT NICKEL PLATED.
- PHOS. BRONZE CONTACT- PLATED WITH TWO .000015 MIN THK. GOLD STRIPES IN CONTACT AREA WITH TIN ON CONTACT LEGS, BALANCE OF CONTACT NICKEL PLATED.
- MAXIMUM DIMENSION FOR I.C. SEATING PLANE.
- HOUSING MATERIAL-GLASS FILLED THERMOPLASTIC, BLACK, 94V-0



DETAIL F	FINISH	DIM C	B SPCS	DIM A	POS	PART NO.
DETAIL F	3	1.500	15	40.51 [1.595]	32	3-1825276-2
DETAIL F	4	1.500	15	40.51 [1.595]	32	2-1825276-2
	3	1.500	15	40.51 [1.595]	32	1-1825276-2
	3	1.300	13	35.43 [1.395]	28	1-1825276-1
	4	1.500	15	40.51 [1.595]	32	1825276-2
	4	1.300	13	35.43 [1.395]	28	1825276-1

THIS DRAWING IS A CONTROLLED DOCUMENT.

DIMENSIONS: mm [INCHES]	TOLERANCES UNLESS OTHERWISE SPECIFIED:	DIN R TALLEY 310CT94	APVD M HUDDLESTON	NAME
0 PLC ± -	1 PLC ± -	CHK R TALLEY 310CT94	PRODUCT SPEC	108-1066
2 PLC ± -	3 PLC ± 0.13 [.005]		APPLICATION SPEC	114-1052
4 PLC ± -	ANGLES ± -		WEIGHT	A1 00779

STE TE Connectivity

SOCKET ASSY. DIP, OTC, HT DIPLOMATE

SIZE CAGE CODE DRAWING NO. RESTRICTED TO
A1 00779 1825276

CUSTOMER DRAWING SCALE 5:1 SHEET 1 OF 1 REV A1