

FP-SFB

Small Flat Panel Flush Mount

Product Features:

Holds 10" – 30" flat panels

Accommodates flat panels with 75, 100, 200 and 100 x 200mm VESA hole patterns

Quick connect/disconnect design

Distance from wall to back of the flat panel – 0.5"

Utilizes tamper resistant screws to provide extra security

Load capacity – 50 lbs

Black powder coat finish

Product Specifications:

(for Architects & Engineers)

The wall flush mount for the small flat panel display shall be the Video Mount Products (VMP) FP-SFB. The mount shall be constructed primarily of formed steel. The mount shall include security screws to secure the plates together. The mount shall be a universal style mount capable of supporting all 10" – 30" flat panels that incorporate 75, 100, 200 or 100x200 VESA standards and not necessarily be model specific. The load capacity shall be 50 lbs.

Video Mount Products

345 Log Canoe Circle

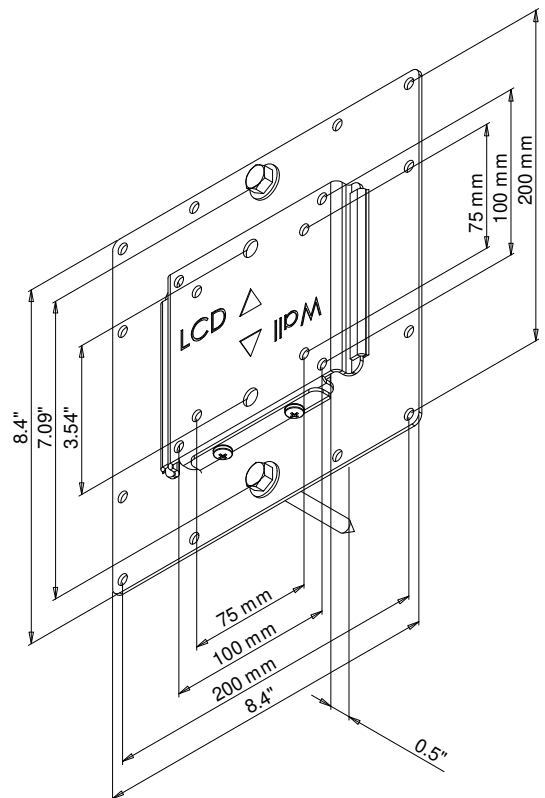
Stevensville, MD 21666

Toll Free: 877.281.2169

Telephone: 410.643.6390

Facsimile: 410.643.6615

www.videomount.com



VMP
VIDEO MOUNT PRODUCTS