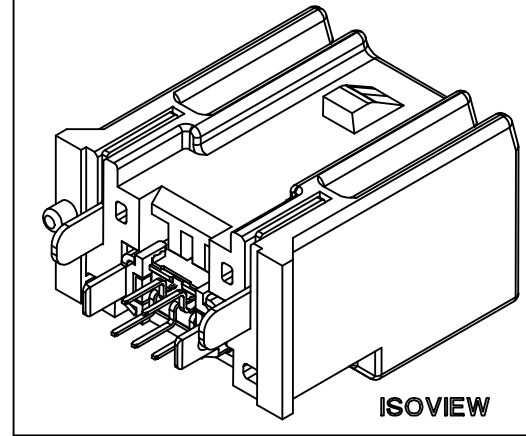


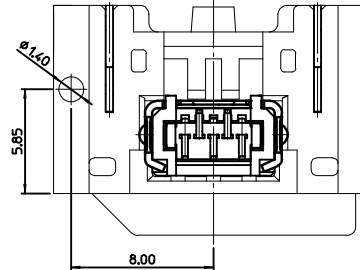
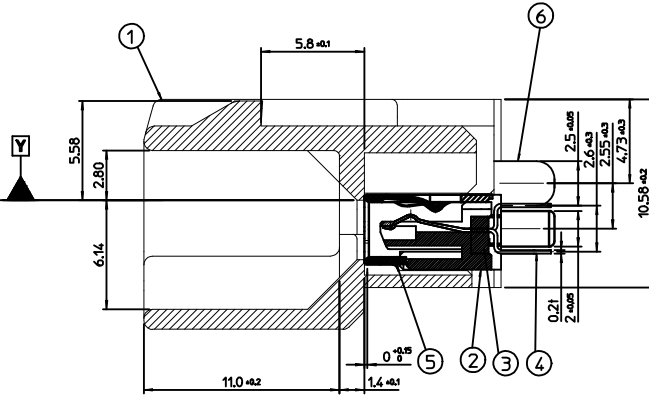
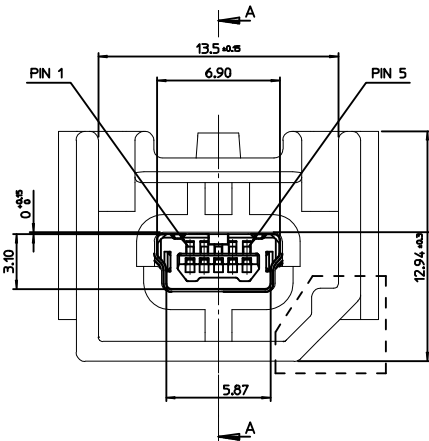
(CONNECTOR MOUNTING AND REVERSE SIDE)

**RECOMMENDED PCB LAYOUT**



**NOTE**

- MATES WITH :  
(MOLEX SERIES NO. - 111014, 111015, 111005, 111041, 111019, 111020)
- SHROUD GEOMETRY AND ASSEMBLY WITH USB MINI-B CONNECTOR ARE ACCORDING TO USCAR STD 999-U-USB-Z01
- FINISHES  
- TERMINAL :  
CONTACT AREA : Au 0.754m MIN.  
SOLDER TAIL AREA : TIN 3.84m MIN.  
UNDER PLATING : NI 1.04m MIN.  
- SHIELD CASE :  
3.04m MIN. TIN OVER NI 1.04m MIN.  
- FITTING NAIL :  
3.04m MIN. TIN OVER NI 1.04m MIN.
- UNLESS OTHERWISE SPECIFIED, TYPICAL RECOMMENDED PCB MANUFACTURING TOLERANCE IS ±0.05
- PACKAGING IS TRAY :  
(48 PCS/TRAY, 5 TRAY/TRAY BOX, 240 PCS/TRAY BOX, 960 PCS/CARTON BOX)
- PACKAGING IS EMBOSS : PK-104004-005
- PRODUCT SPECIFICATION : PS-49616-001
- PACKAGING INFORMATION : SEE TABLE
- PCB THICKNESS : 2.36mm(REFERENCE)



<TABLE 1>

MATERIAL NO.	ORDER NO.	COLOR	PACKING	PACKING INFO.
1040040905	104004-0905	GRAY	TRAY	PK-104004-003
1040040803	104004-0803	GRAY	T&R	PK-104004-005

<PARTS LIST>

NO.	PART NAME	MATERIAL
1	SHROUD-B	LCP, GLASS FILLED, UL94 V-0
2	RECEPTACLE HOUSING	LCP, GLASS FILLED, UL94 V-0
3	CONTACT HOUSING	LCP, GLASS FILLED, UL94 V-0
4	CONTACT TERMINAL	COPPER ALLOY
5	SHIELD CASE	PHOSPHOR BRONZE
6	BOARD LOCKS PIN	BRASS

REVISED EC NO: KTR2018-0005 DRAWN: JMK/NO2 2017/08/23 CHKD: APPR: JHJANG 2017/08/31	QUALITY SYMBOLS ▽=0 ▽=0	GENERAL TOLERANCES (UNLESS SPECIFIED) mm INCH 4 PLACES ± --- ± --- 3 PLACES ± 0 ± --- 2 PLACES ± 0.15 ± --- 1 PLACE ± 0.25 ± --- ANGULAR ± 1°	DIMENSION STYLE MM ONLY	SCALE	DESIGN UNITS METRIC	THIRD ANGLE PROJECTION
			DRAWN BY S.M.KIM DATE 2009/06/17	TITLE USCAR USB MINI B CONN VERTICAL B (LONG TERMINAL VERSION)		
REV B	DESCRIPTION	DRAFT WHERE APPLICABLE MUST REMAIN WITHIN DIMENSIONS	APPROVED BY JYCHOI DATE 2013/01/07	MATERIAL NO.	DOCUMENT NO.	SHEET NO. 1 OF 1
			SEE TABLE 1	SD-104004-007		