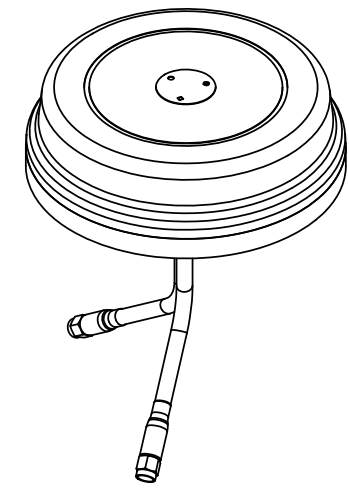
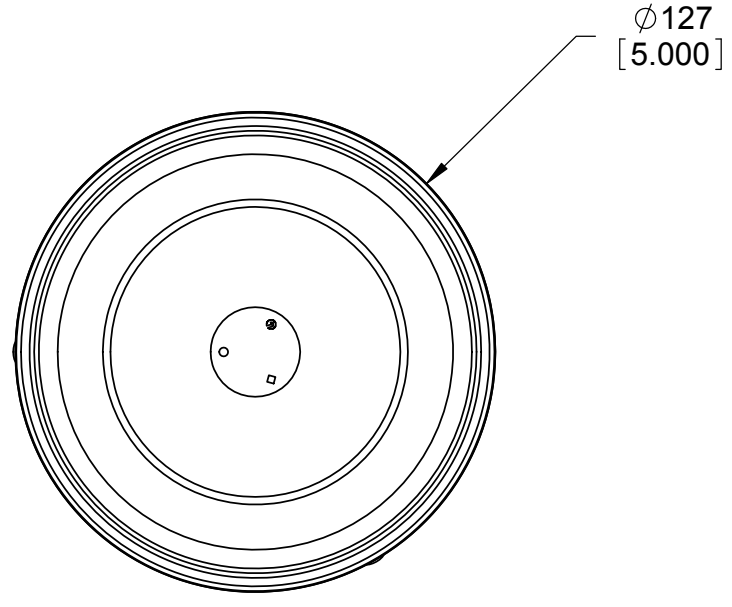
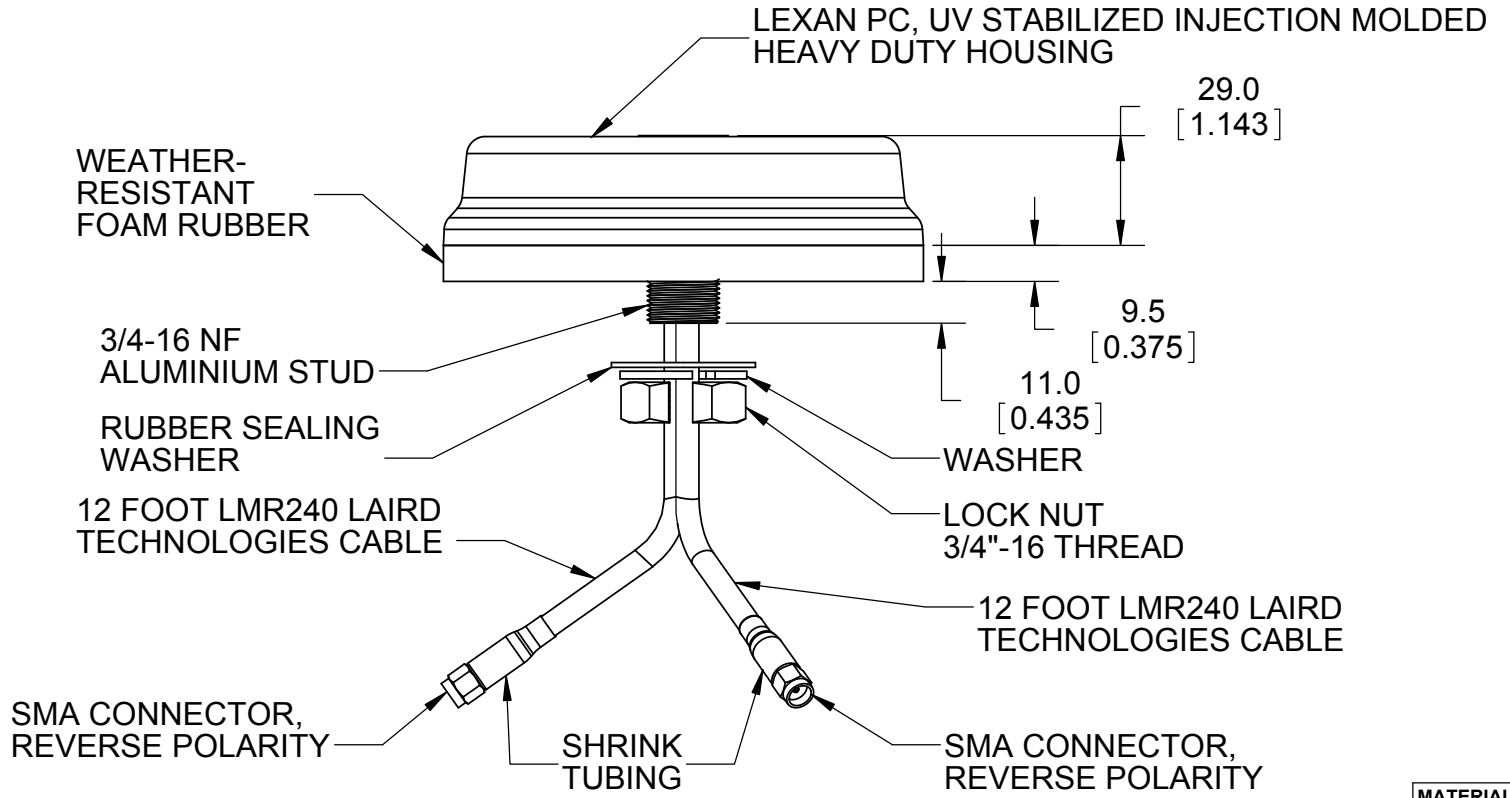



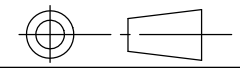
THIS DRAWING IS UNPUBLISHED.      RELEASED FOR PUBLICATION      - . - .  
 © Copyright 2022 TE Connectivity Ltd.      ALL RIGHTS RESERVED.

REVISIONS					
REV.	ECR#	ZONE	DESCRIPTION	CHANGED BY/DATE	APPROVED BY/DATE
F01	ECN-IAS-03612		OFFICIAL RELEASE	WT NG 30JAN15	HANG 30JAN15



Parameter	Value
Model Number	VMD24493RSM-366
Frequency	2.4 - 2.5 GHz & 4.9 GHz - 5.875 GHz
Number of Port	2
Gain	3 dBi Peak
Polarization	Vertical
Pattern	Omni Directional
Nominal Impedance	50 Ω
VSWR	< 2:1
Power handling	50 W
Cable, Pigtail Length	LMR240, 12 ft (3.65 meters)
Connector	2X SMA Crimp Type, Reverse Polarity
Weight	Approximately 0.50 kg
Radome	PC, Black, UL-94 V0
Operating Temperature	-35° to +80° C



<b>MATERIAL:</b>		THIRD ANGLE PROJECTION				
<b>FINISH:</b>		 DO NOT SCALE DRAWING				
APPROVALS		DATE		<b>TITLE:</b>  <b>VMD24493RSM-366</b>		
DRAWN BY	WT NG	21OCT11				
ELEC. ENG.	TY NG	30JAN15				
MECH. ENG.	WT NG	30JAN15				
MFG./OPS.	CH FONG	30JAN15		INTERPRET DIMENSIONING AND TOLERANCING IN ACCORDANCE WITH ASME Y14.5M-2009 <b>TOLERANCES UNLESS OTHERWISE SPECIFIED</b> DIMENSIONS ARE IN MILLIMETERS		
		ANGLE: ±30' 0 PLACE DECIMAL: ±0.5 1 PLACE DECIMAL: ±0.25 2 PLACE DECIMAL: ±0.13 SURFACE ROUGHNESS 1.6/√		<b>SIZE</b> <b>A3</b>	DWG. NO. <b>VMD24493RSM-366MO</b>	REV <b>F01</b>
				SCALE: 1:2	PREVIOUS#	SHEET 1 OF 1