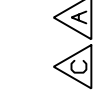
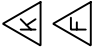
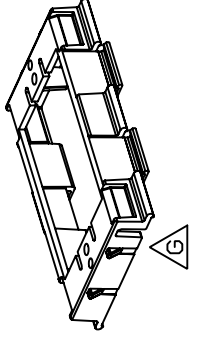
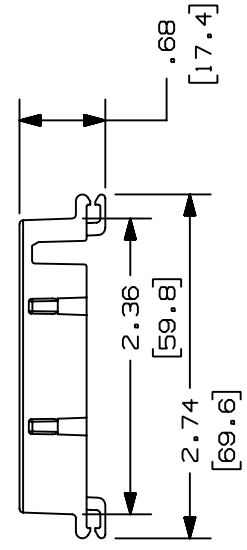
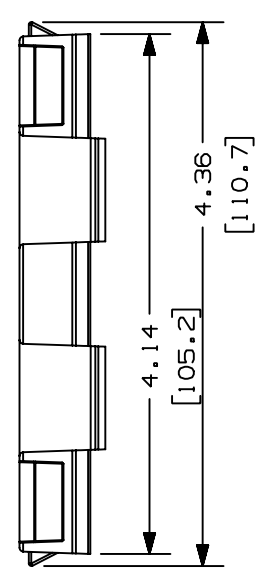
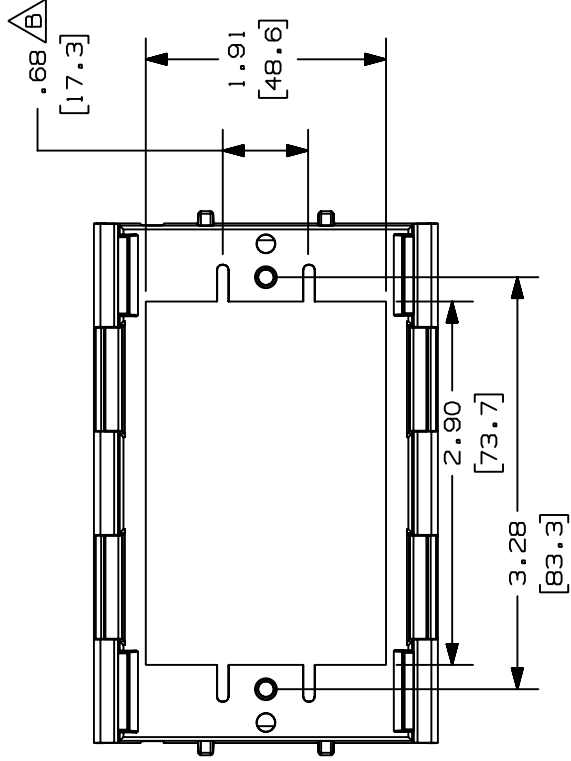


THIS COPY IS PROVIDED ON A RESTRICTED BASIS AND IS NOT TO BE USED IN ANY WAY DETRIMENTAL TO THE INTERESTS OF PANDUIT CORP.

PANDUIT P/N	WEIGHT
T70DB	.05 LB / EACH (24.679 / EACH)



- NOTES:
- SEE CURRENT CATALOG FOR ADDITIONAL PART SUFFIXES TO INDICATE COLOR AND OR PACKAGE QUANTITY.
  - USED TO MOUNT NEMA STANDARD ELECTRICAL RECEPTACLES AND BRAZILIAN POWER RECEPTACLES IN 70mm RACEWAYS.
  - NOMINAL WALL THICKNESS OF THE T70DB IS .100(2.5).
  - DIMENSIONS IN PARENTHESIS ARE IN METRIC.
  - ACCEPTS PANDUIT SNAP-ON STYLE FACEPLATES.



CAD FILENAME/LAYERS D35541CF\_DC\_T70DB\_04B.PRT

PANDUIT		CORP. TINLEY PARK, ILLINOIS	
70mm HANGING DEVICE BRACKET (T70DB)		CUSTOMER DRAWING	
UNLESS OTHERWISE SPECIFIED, DIMENSIONAL TOLERANCES ARE: (.X) ± .XXX (.010(.3)) (.XX) ± .03 (.8) ANGLES ±		UNLESS OTHERWISE SPECIFIED, ALL DIMENSIONS ARE GIVEN IN INCHES, THIRD ANGLE PROJECTION.	
SCALE	NONE		
DRAWN BY	MATT'L:		
DATE	DW	CEP	PVC
CHECKED BY	CEP	CUST	SUP
ECN	35541-32	HIW	HIW
DESCRIPTION	RELEASED TO PRODUCTION		
REV	DATE	BY	CHK
5	04-08-01	REWE	BKR
4	03-05-01	REWE	BKR
3	12-20-98	M50	HIW
2	05-11-98	DW	HIW
1	02-17-97	DW	CEP
R	09-20-96	DW	CEP

DWG NO.	35541-32
SIZE	A