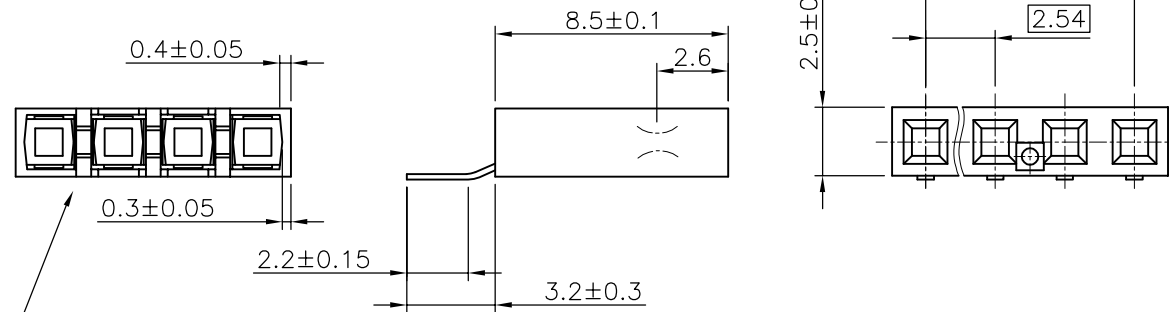
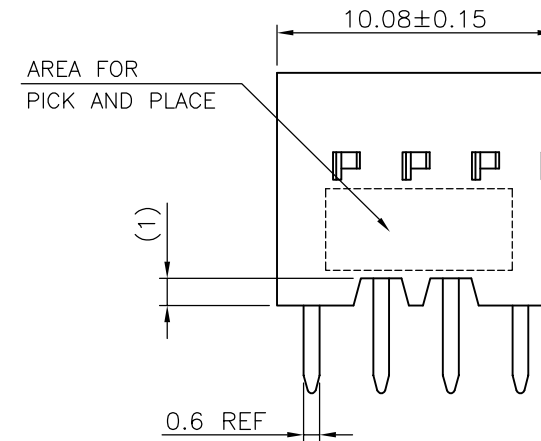
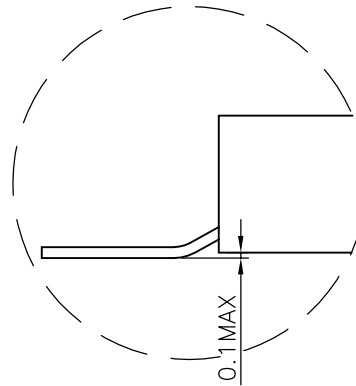


PRODUCT NUMBER
10128768-Y04KLF

- INDICATES THE PRODUCT IS RoHS COMPATIBLE, SEE NOTE 4
- PACKAGING, SEE NOTE 3
- NUMBER OF CONTACTS
- 3= 0.76µm GOLD ON CONTACT AREAS
2.0µm TIN MIN ON TAILS
1.27µm Ni MIN UNDERPLATING
- 4= 2.0µm TIN MIN FULL PLATED
1.27µm Ni MIN UNDERPLATING

NOTES:

- 1 - HOUSING: HIGH TEMPERATURE THERMOPLASTIC GF FLAME RETARDANT PER UL 94 V-0, GREY COLOUR.
- 2 - TERMINAL MATERIAL: PHOSPHOR BRONZE.
- 3 - PACKAGING :
K = TAPE & REEL PACKAGING
- 4 - RoHS COMPATIBLE PRODUCT SPECIFICATIONS
 - a - PLATING:
 - "LF" MEANS THE PRODUCT IS LEAD-FREE, 2µm MINIMUM MATTE TIN OVER 1.27µm MINIMUM NICKEL UNDERPLATE.
 - b - MANUFACTURING PROCESS COMPATIBILITY
 - THE HOUSING WILL WITHSTAND EXPOSURE TO 260°C PEAK TEMPERATURE FOR 30 SECONDS MAX IN A CONVECTION, INFRA-RED OR VAPOR PHASE OR REFLOW OVEN.
 - c - LEGAL STATEMENT: SEE GS-47-0004



VIEW OF THE HOUSING
WIHTOUT CONTACTS

mat'l. code SEE NOTES		surface ISO 1302	tolerance ISO 406 ISO 101	projection mm	product family DUBOX
ltr	ecn no	dr	date	tolerances unless otherwise specified	title RECEPTACLE SMT HORIZONTAL
A	46491	LMU	14.02.05	angles X.X ±0.3	dwg no 10128768 sheet 1 of 1 size A3
B	B-17825	JCO	14.06.03	linear X.XX ±0.13	
C	B-18611	JCO	14.08.19	X.XXX ±0.05	
		dr	L.MULIN	14.01.22	type CUSTOMER Drawing
		engr	J.COMPAGNON	14.01.02	
		chr	ASO	14.02.04	
		appd	JCO	14.02.05	
sheet index	revision sheet				