

SIGN	DATE	DESCRIPTION	APPROVER
△	6/24'06	Torque standard is changed from 3.5Lb-In to 1.7Lb-In	Marvin
△	11/08'08	Body 加厚設計變更	Jacke

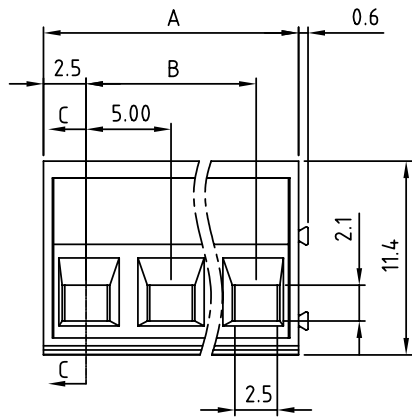
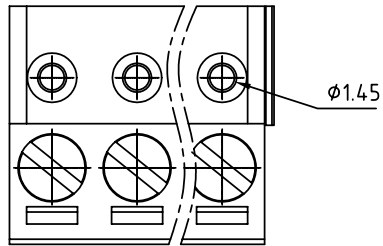
THIS IS CAD DRAWING, DO NOT REVISE MANUALLY!!!

Material

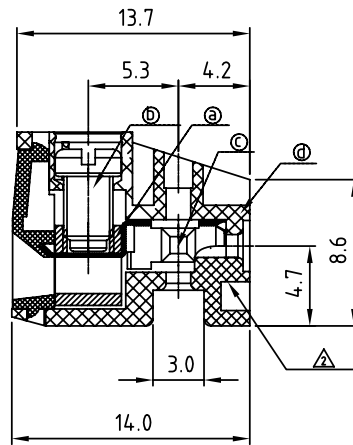
- Item a Clamp: Brass(CuZn) Ni plated
- Item b Terminal screw: Steel Zinc plating "-" slot type
- Item c Female contact: PhBz, Tin or Au plated.
- Item d Terminal(housing): Thermoplastic (UL94V-0)

Electrical

- Voltage rating: 300VAC
- Current rating: 10A
- Wire range:
- Solid wire(AWG): 16-22
- Stranded wire(AWG): 16-22
- △ Torque(Lb-In): 1.7
- Screw: M3
- Wire strip length: 5-6mm
- Withstanding Voltage: 1.6KV
- Operating temperature: -40°C to +115°C
- Safety approval:



N=Number of contacts



Section C-C

TT xx 01 x 0 xxxx G

02	2 CONTACTS	0	Black (RAL9005)	0000	Standard @ Logo	RoHS
03	3 CONTACTS	2	Red (RAL3001/D)	000A	Standard ANY Logo	Pb<40,000ppm
...	...	3	Orange(RAL2011/P)	Any special item by customer request,		
24	24 CONTACTS	4	Yellow(RAL1018/A)	please contact sales department.		
		5	Green(RAL6018/T)			
		6	Blue (RAL5015/A)			
		8	Grey(RAL7035/D)			

N = Number of poles
 Dim A=Nx5.0
 Dim B=(N-1)x5.0

	Dim A	Dim B
2-6p	±0.15	±0.10
7-12p	±0.25	±0.15
13-18p	±0.30	±0.20
19-24p	±0.40	±0.30

ANYTEK

CUSTOMER COPY

ALL RIGHTS RESERVED. REPRODUCTION OR ISSUE TO THIRD PARTIES IN ANY FORM WHATSOEVER IS NOT PERMITTED WITHOUT WRITTEN AUTHORITY FROM THE PROPRIETOR. PROPERTY OF ANYTEK TECHNOLOGY CO., LTD

TITLE		TT - 5.0mm Series Stackable type			
PART NO.		TTxx01x0xxxxG		DWG NO.	8TT0001
APPROVED	CHECKED	DESIGNED	DRAWN	CUST NO.	Tolerance X. ±0.50 X.X ±0.30 X.XX ±0.10 X° ±1°
	Marvin 2006.08.30	Marvin 2006.08.30	Marvin 2006.10.04	UNIT: mm SCALE: NONE SHEET: 01/01 REV.: E	