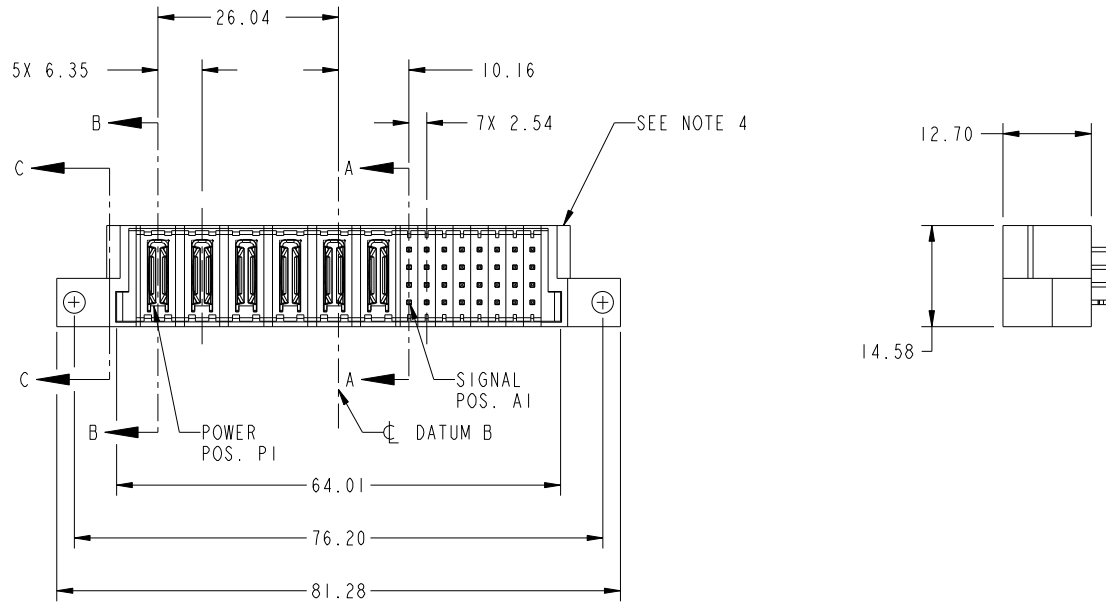


Tous droits strictement reserves. Reproduction ou communication a des tiers interdite sous quelque forme que ce soit sans autorisation écrite du propriétaire. Propriete de c FCI. Droits de reproduction FCI.



All rights strictly reserved. Reproduction or issue to third parties in any form whatever is not permitted without written authority from the proprietor. Property of FCI. Copyright FCI.

PRODUCT NO. 51963-041-- NOTE ③	ROWS D C B A	POWER						SIGNAL								E2
		E1	P1	P2	P3	P4	P5	P6	1	2	3	4	5	6	7	



CODE	DIM "M" MATING LENGTH	CONTACT TYPE
PA	[N/A]	POWER
E	[6.86]	SIGNAL
HA	[N/A]	HOLD-DOWN

mat'l code				tolerances unless otherwise specified		CUSTOMER	 www.fciconnect.com
ltr	ecn no.	dr	date	linear	0.X ± 0.5	COPY	
A	DG09-0236	wl	07/24/09	angles	0.XX ± 0.25	projection	product family PwrBlade code 213
				dr	0.XXX ± 0.1		
				enr	0° ± 2°		scale 1:1
				chr	WL ZHANG 07/24/09		
				appd	WARREN DU 07/24/09		
					PM ZHENG 07/24/09		
					JOSEPH HSIA 07/24/09		
sheet index	revision sheet	A	A	A	A		
		1	2	3	4		

cage code 22526

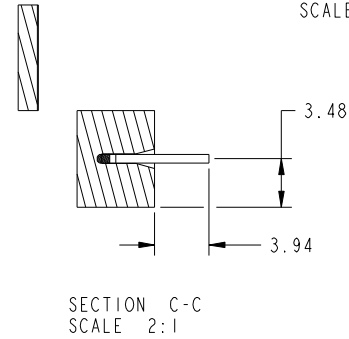
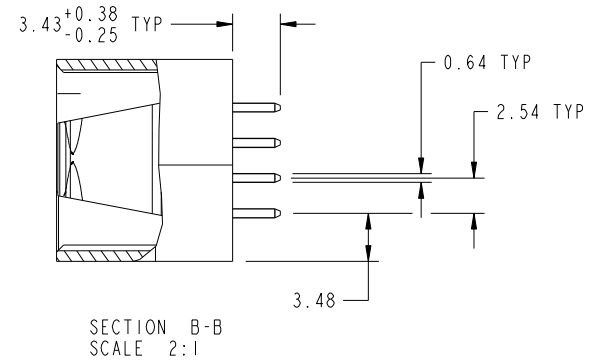
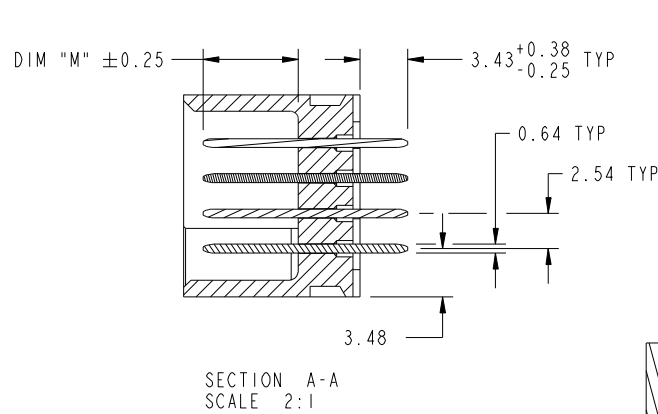
Pro/E

Tous droits strictement reserves. Reproduction ou communication a des tiers interdite sous quelque forme que ce soit sans autorisation ecrite du proprietaire. Propriete de c FCI. Droits de reproduction FCI.

All rights strictly reserved. Reproduction or issue to third parties in any form whatever is not permitted without written authority from the proprietor. Property of FCI. Copyright FCI.



PRODUCT NUMBER
51963-041__
NOTE 3



mat'l code				tolerances unless otherwise specified		CUSTOMER		FCI	
ltr	ecn no.	dr	date	linear	0.X ±0.5	COPY		www.fciconnect.com	
A					0.XX ±0.25	projection		title	
				angles	0.XXX ±0.1			6P + 32S VERTICAL STB HEADER	
				dr	0° ±2°			product family PwrBlade code	
				enr	WL ZHANG 07/24/09	scale		size	
				chr	WARREN DU 07/24/09	1:1		dwg no	
				appd	PM ZHENG 07/24/09			A 51963-041	
					JOSEPH HSIA 07/24/09			sheet	
sheet index		revision sheet						2 of 4	

cage code 22526

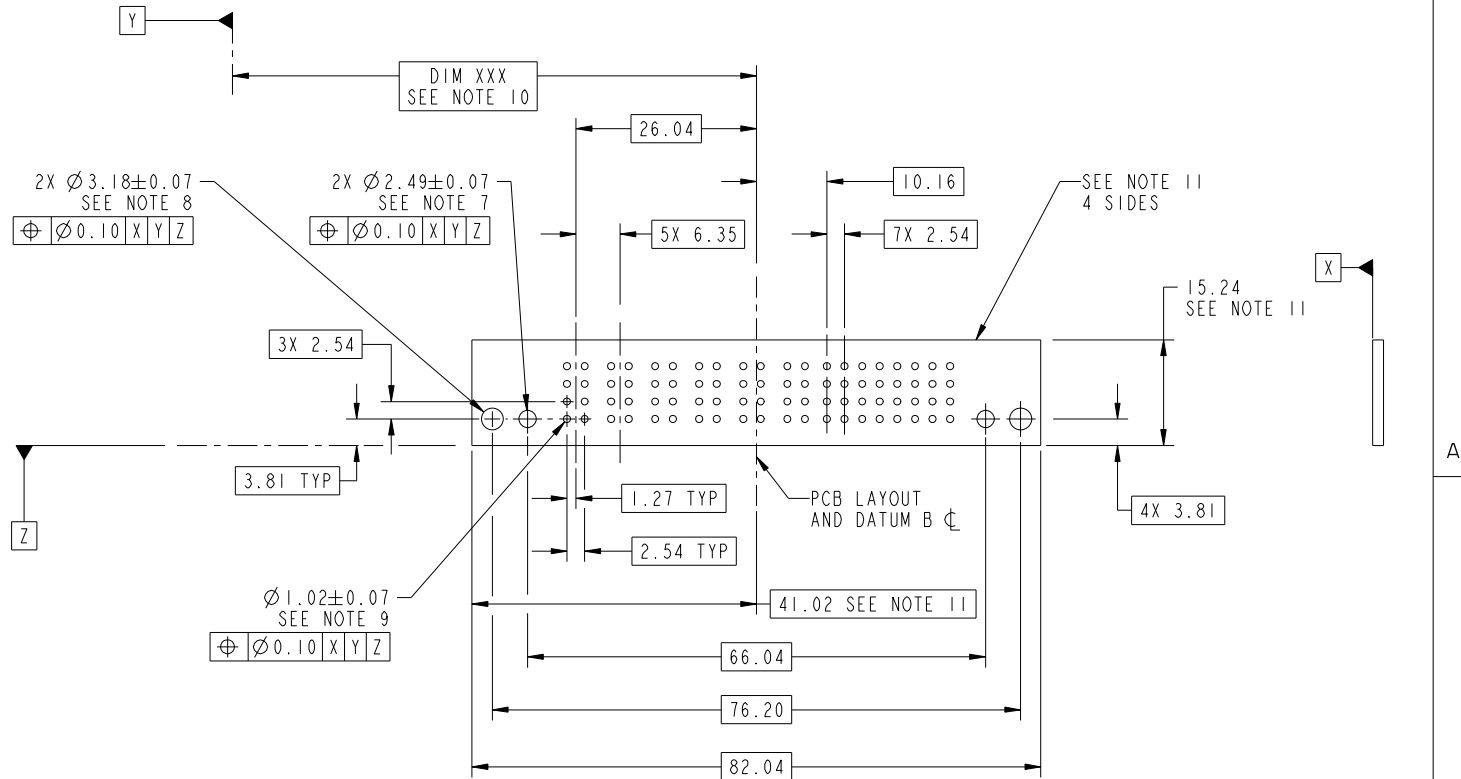
Pro/E

Tous droits strictement reserves. Reproduction ou communication a des tiers interdite sous quelque forme que ce soit sans autorisation écrite du propriétaire. Propriete de c FCI. Droits de reproduction FCI.



All rights strictly reserved. Reproduction or issue to third parties in any form whatever is not permitted without written authority from the proprietor. Property of FCI. Copyright FCI.

PRODUCT NUMBER
51963-041__
NOTE 3



mat'l code				tolerances unless otherwise specified		CUSTOMER		FCI	
ltr	ecn no.	dr	date	linear	0.X ± 0.5	COPY		www.fciconnect.com	
A					0.XX ± 0.25	projection		title	
				angles	0.XXX ± 0.1			6P + 32S VERTICAL STB HEADER	
				dr	0° ± 2°	MIM		product family PwrBlade code	
				enr	WL ZHANG 07/24/09	scale		size	
				chr	WARREN DU 07/24/09	1:1		dwg no	
				appd	PM ZHENG 07/24/09			51963-041	
					JOSEPH HSIA 07/24/09			sheet	
sheet index		revision sheet						3 of 4	

cage code 22526

Pro/E

Tous droits strictement reserves. Reproduction ou communication a des tiers interdite sous quelque forme que ce soit sans autorisation écrite du propriétaire. Propriete de c FCI. Droits de reproduction FCI.



All rights strictly reserved. Reproduction or issue to third parties in any form whatever is not permitted without written authority from the proprietor. Property of FCI. Copyright FCI.

PRODUCT NUMBER
51963-041--
NOTE 3

NOTES:

1. DIMENSIONS AND TOLERANCES ARE IN ACCORDANCE WITH ASME Y14.5M, 1994 UNLESS OTHERWISE SPECIFIED.

CONNECTOR NOTES:

- 2 HOUSING MATERIAL: UL 94 V-0 GLASS FILLED
HIGH-TEMP THERMOPLASTIC
POWER CONTACT MATERIAL: COPPER ALLOY
SIGNAL PIN MATERIAL: COPPER ALLOY
- 3. PLATING:
SEE ITEM 1 & 2 IN PRINT 10064183 FOR PLATING SPEC OF 51963-041; 51963-041LF PRESPECTIVELY
- 4 MANUFACTURER'S NAME, P/N, AND DATE CODE TO APPEAR ON THIS SURFACE.
- 5. PRODUCT SPECIFICATION GS-12-149.
APPLICATION SPECIFICATION BUS-20-067.
- 6. PACKAGED IN TRAYS.

PCB NOTES:

- 7. ALL HOLE DIAMETERS ARE FINISHED HOLE SIZE.
- 8. MOUNTING HOLES, WHERE APPLICABLE, ARE UNPLATED.
- 9 $\varnothing 1.151 \pm 0.025$ DRILLED HOLES PLATED WITH
0.008 MIN SnPb OR Sn OVER .001 [0.03]
TO 0.08 Cu PLATING TO ACHIEVE
 $\varnothing 1.02 \pm .07$ HOLE.
- 10 "DIM XXX" TO BE DETERMINED BY THE CUSTOMER.
- 11 CONNECTOR KEEP-OUT ZONE.

mat'l code				tolerances unless otherwise specified		CUSTOMER		FCI		www.fciconnect.com	
ltr	ecr no.	dr	date	linear	0.X ± 0.5		COPY		projection	title	
A					0.XX ± 0.25		MIM			6P + 32S VERTICAL STB HEADER	
					0.XXX ± 0.1		← MIM →			product family PwrBlade code	
				angles	0° ± 2°		scale		size		213
				dr	WL ZHANG	07/24/09	1:1		A		sheet
				enr	WARREN DU	07/24/09			51963-041		4 of 4
				chr	PM ZHENG	07/24/09					
				appd	JOSEPH HSIA	07/24/09					
sheet index	revision sheet										

cage code 22526

Pro/E