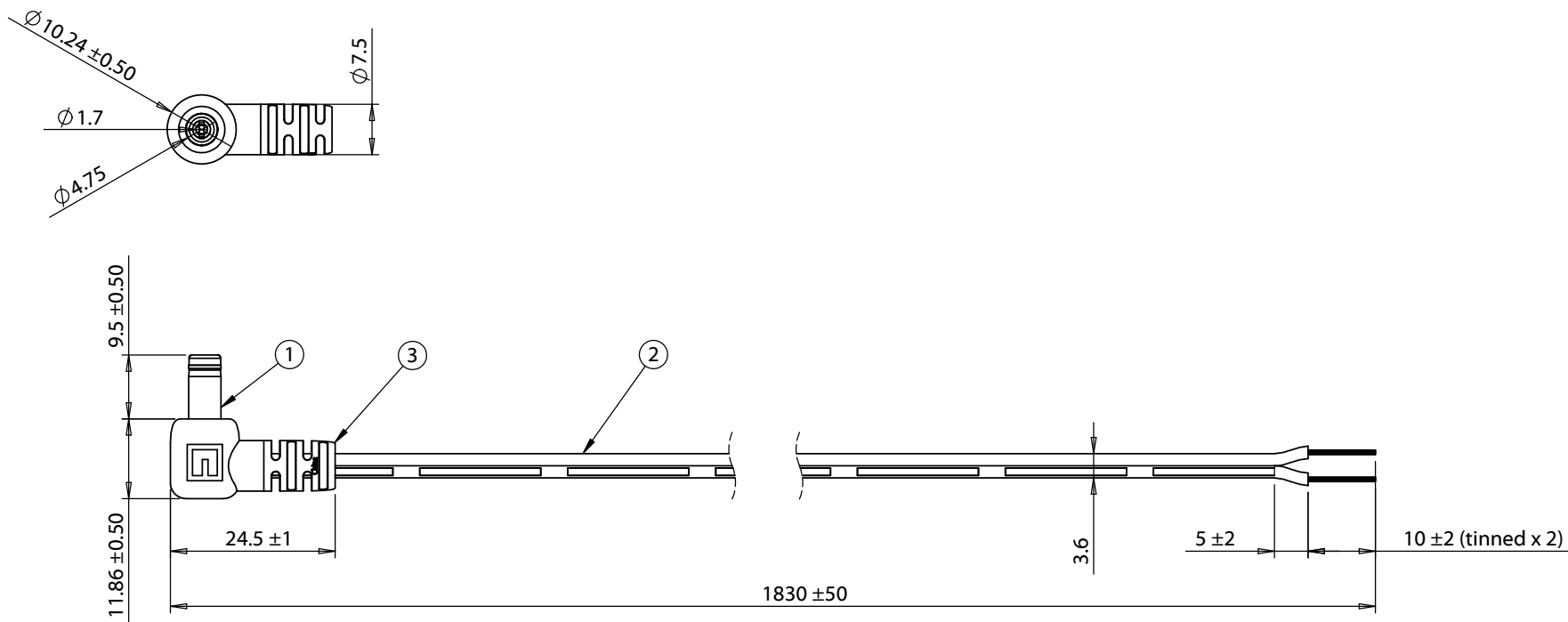


ITEM NO.	PART NUMBER	DESCRIPTION	QTY.	COMPONENT NOTES
1	50-00135	Connector, dc plug, 4.75x1.7xL18.0 mm, molding style, spring contacts	1	
2	30-00003	Wire, 2C BC, 24 AWG, UL2468, 300V, 80C, 3.6 mm, VW-1, PVC, 76A	1	
3	24-00008	Overmold, PVC, black	1	



Notes:
 Cables individually tied and bundled in groups of 10
 Functionally equivalent components may be substituted

Wiring Diagram	
50-00135	wire color
center	black with stripe
sleeve	black

Revision:	Date:	Description:	Prepared:	Notes:	<h1>TENSILITY</h1> <p>tel 1.541.323.3228 800 877.670.7118 fax 1.541.323.4202 web tensility.com</p>
A	6/28/2012	Initial release	GL 2016.06.10 16:43:45 -07'00'	RoHS compliant	
			Verified: LA Digitally signed by LA DN: cn=LA, o=Tensility Inc, Engineering email=LA@Tensility.com, c=US Date: 2016.06.11 13:39:41 -07'00'	Function test: no open, no short circuit, no intermittent	
			Dimensions are in millimeters. Tolerances: X: ± 0.5 mm X.X: ± 0.3 mm X.XX: ± 0.05 mm	Description: Cable, 1830 mm, 4.75x1.7x9.5 mm 90° 50-00135 dc plug to stripped tinned, 24 AWG, 30-00003 wire	
					Size: A Part number: 10-01071
					Scale: 1:2 Sheet 1 of 1