

## **AN-1817 LMV225/LMV228 WSON Evaluation Board**

---

---

---

### **1 General Description**

This board can be used to evaluate the Texas Instruments LMV225/LMV228 RF detectors. These logarithmic power detectors are intended for use in CDMA and WCDMA applications. They have a 30 dB dynamic range and an RF frequency range from 450 MHz to 2 GHz. The LMV228 is designed to be used in combination with a directional coupler, while the LMV225 detector is especially suited for power measurements via a high-resistive tap as well as directional coupler. The LMV225/LMV228 have an integrated filter for low-ripple average power detection of CDMA signals. Additional filtering can be applied using a single external capacitor.

### **2 Basic Operation**

The LMV225/LMV228 provide an accurate temperature and supply compensated DC output voltage that relates linearly to the applied RF input power in dBm. The single supply, ranging from 2.7V to 5.5V, can be applied through connectors P<sub>4</sub> and P<sub>5</sub>. The signal applied to connector P<sub>2</sub> puts the detector in an active or a shutdown mode. The detector is active for Enable = HI, otherwise it is in a low power consumption shutdown mode. The RF signal is applied through connector P<sub>1</sub>, while the output voltage is measured through connector P<sub>3</sub>.

#### **2.1 Input**

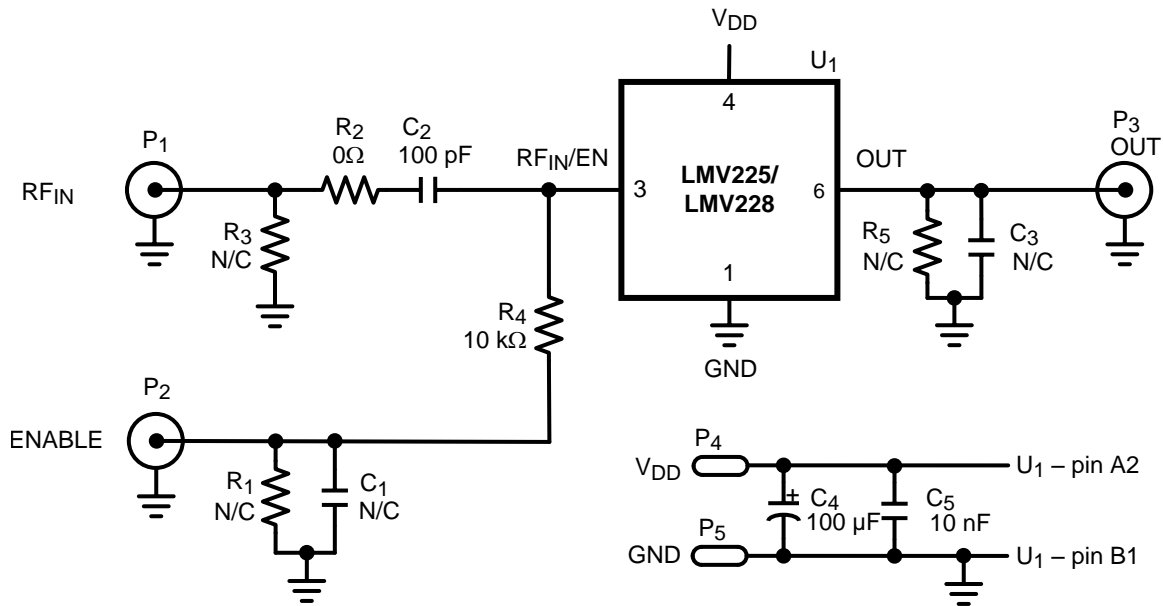
The LMV225 has an RF power detection range from –30 dBm to 0 dBm and is designed for direct use in combination with resistive taps. The LMV228 has a detection range from –15 dBm to 15 dBm and are intended for use in combination with a directional coupler. Both detectors have an input impedance of 50Ω. Details about the configuration can be found in *LMV225/LMV226/LMV228 RF Power Detector for CDMA and WCDMA* ([SNWS013](#)).

#### **2.2 Output**

The output voltage range is typically 0.2V to 2V and can be scaled down to meet ADC input range requirements. Since the LMV225/LMV228 have a current controlled output, the voltage range can be adjusted by changing the output resistance. To change this a resistor needs to be placed in R<sub>5</sub>. The output impedance of the detector (typical 19.8 kΩ) together with the resistor R<sub>5</sub> translates the current into a voltage. The value of resistor R<sub>5</sub> determines the exact scaling. A value of 19.8 kΩ for example divides the output voltage range by half. Besides scaling the output voltage, the output ripple can be reduced by lowpass filtering. This can be realized with capacitor C<sub>3</sub>. Further details can be found in the applications notes information section in *LMV225/LMV226/LMV228 RF Power Detector for CDMA and WCDMA* ([SNWS013](#)).

### 3 Schematic

The schematic of the evaluation board is shown in [Figure 1](#).



**Figure 1. Schematic of the Evaluation Board**

### 4 Bill of Materials

The Bill of Material (BOM) of the evaluation board is listed in [Table 1](#).

**Table 1. Bill of Materials of the Evaluation Board**

Designator	Description	Comment
C2	0603 Capacitor	100 pF
C4	Case_C Capacitor	100 μF
C5	0603 Capacitor	10 nF
C1, C3	0603 Capacitor	Not Connected
P1	Connector	SMA
P2	Connector	BNC
P3	Connector	BNC
P4	Connector	Banana
P5	Connector	Banana
R2	0603 Resistor	0Ω
R4	0603 Resistor	10 kΩ
R1, R3, R5	0603 Resistor	Not Connected
U1	WSON	LMV225 or LMV228

## 5 Layout

The layout of the evaluation board is shown in [Figure 2](#).

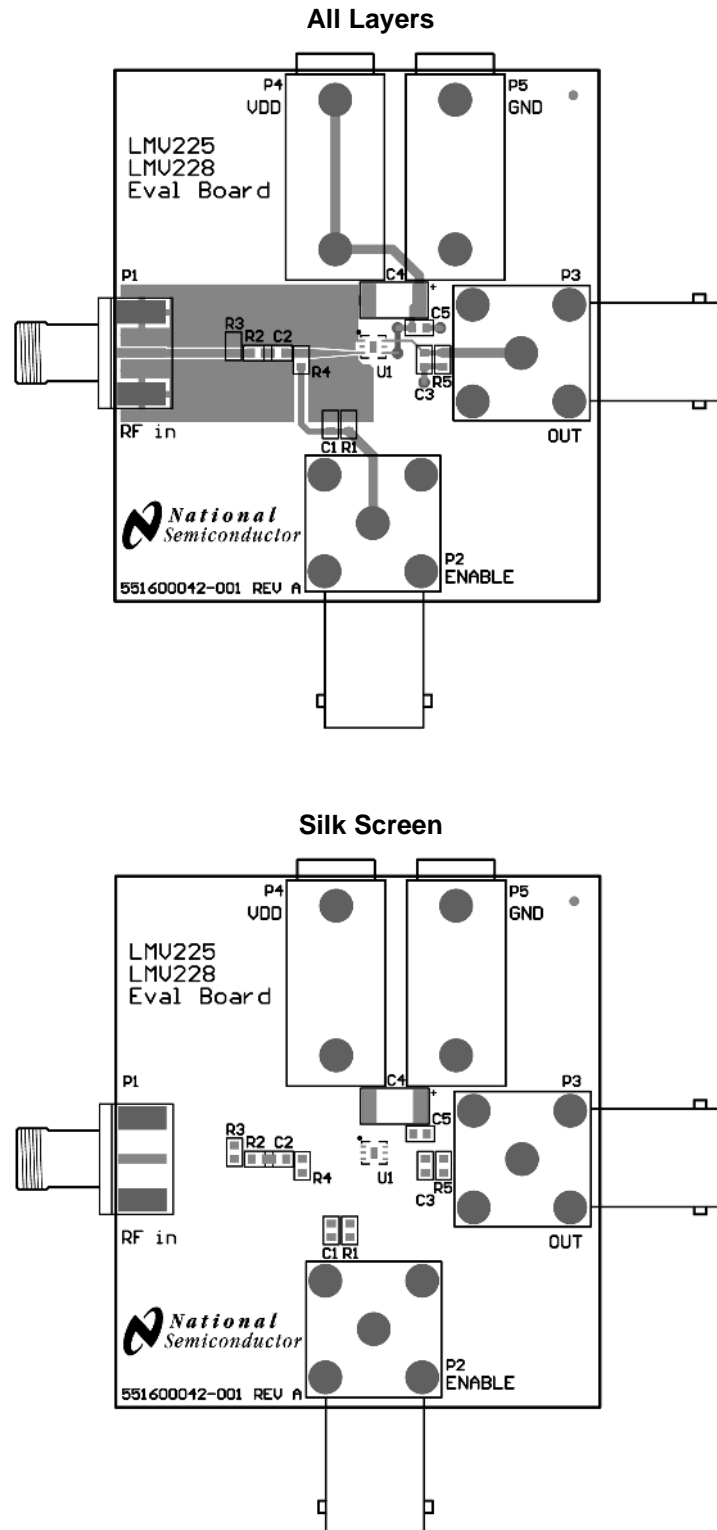


Figure 2. Layout of the Evaluation Board

## 6 Measurement Procedure

The performance of the LMV225/LMV228 can be measured with the setup given in [Figure 3](#).

In this measurement example a supply voltage of 2.7V is applied by the power supply. To put the LMV225/LMV228 in active mode, the Enable ( $P_2$ ) is connected to 2.7V as well. The resulting DC output voltage is measured with a multimeter connected to  $P_3$ . A 900 MHz RF signal is applied by the RF generator to connector  $P_1$ , where the RF power is swept from  $-50$  dBm to  $+20$  dBm.

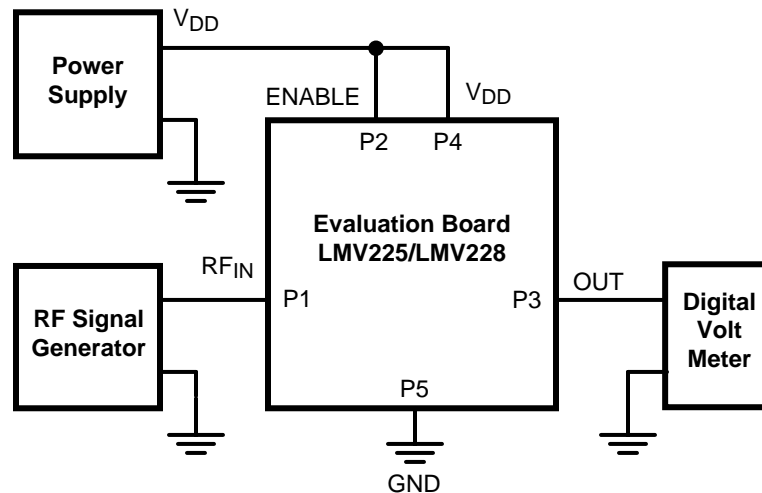


Figure 3. Measurement Setup

## 7 Measurement Results

[Figure 4](#) and [Figure 5](#) show the measurement results for the LMV225/LMV228 respectively. For each plot the RF power is swept at 900 MHz for different temperatures. Also the error in dBs with respect to an ideal straight line is plotted (Log conformance).

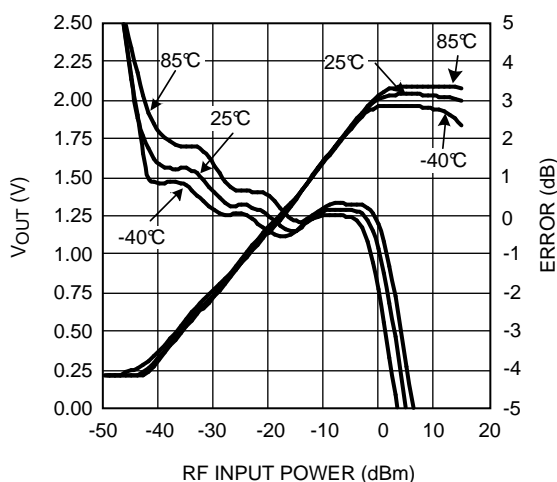


Figure 4. LMV225 Output Voltage and Log Conformance vs. RF Input Power at 900 MHz

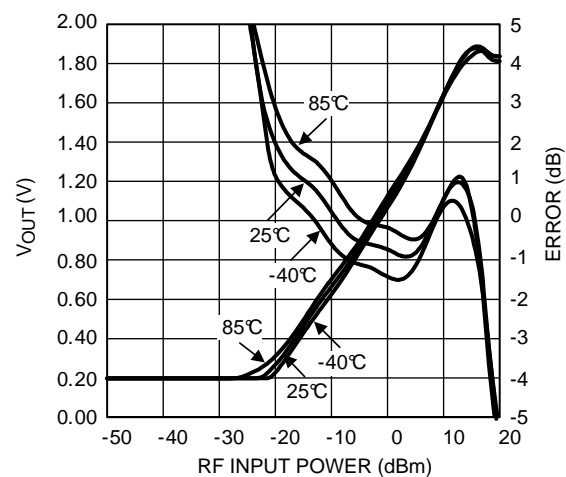


Figure 5. LMV228 Output Voltage and Log Conformance vs. RF Input Power at 900 MHz

## IMPORTANT NOTICE

Texas Instruments Incorporated and its subsidiaries (TI) reserve the right to make corrections, enhancements, improvements and other changes to its semiconductor products and services per JESD46, latest issue, and to discontinue any product or service per JESD48, latest issue. Buyers should obtain the latest relevant information before placing orders and should verify that such information is current and complete. All semiconductor products (also referred to herein as "components") are sold subject to TI's terms and conditions of sale supplied at the time of order acknowledgment.

TI warrants performance of its components to the specifications applicable at the time of sale, in accordance with the warranty in TI's terms and conditions of sale of semiconductor products. Testing and other quality control techniques are used to the extent TI deems necessary to support this warranty. Except where mandated by applicable law, testing of all parameters of each component is not necessarily performed.

TI assumes no liability for applications assistance or the design of Buyers' products. Buyers are responsible for their products and applications using TI components. To minimize the risks associated with Buyers' products and applications, Buyers should provide adequate design and operating safeguards.

TI does not warrant or represent that any license, either express or implied, is granted under any patent right, copyright, mask work right, or other intellectual property right relating to any combination, machine, or process in which TI components or services are used. Information published by TI regarding third-party products or services does not constitute a license to use such products or services or a warranty or endorsement thereof. Use of such information may require a license from a third party under the patents or other intellectual property of the third party, or a license from TI under the patents or other intellectual property of TI.

Reproduction of significant portions of TI information in TI data books or data sheets is permissible only if reproduction is without alteration and is accompanied by all associated warranties, conditions, limitations, and notices. TI is not responsible or liable for such altered documentation. Information of third parties may be subject to additional restrictions.

Resale of TI components or services with statements different from or beyond the parameters stated by TI for that component or service voids all express and any implied warranties for the associated TI component or service and is an unfair and deceptive business practice. TI is not responsible or liable for any such statements.

Buyer acknowledges and agrees that it is solely responsible for compliance with all legal, regulatory and safety-related requirements concerning its products, and any use of TI components in its applications, notwithstanding any applications-related information or support that may be provided by TI. Buyer represents and agrees that it has all the necessary expertise to create and implement safeguards which anticipate dangerous consequences of failures, monitor failures and their consequences, lessen the likelihood of failures that might cause harm and take appropriate remedial actions. Buyer will fully indemnify TI and its representatives against any damages arising out of the use of any TI components in safety-critical applications.

In some cases, TI components may be promoted specifically to facilitate safety-related applications. With such components, TI's goal is to help enable customers to design and create their own end-product solutions that meet applicable functional safety standards and requirements. Nonetheless, such components are subject to these terms.

No TI components are authorized for use in FDA Class III (or similar life-critical medical equipment) unless authorized officers of the parties have executed a special agreement specifically governing such use.

Only those TI components which TI has specifically designated as military grade or "enhanced plastic" are designed and intended for use in military/aerospace applications or environments. Buyer acknowledges and agrees that any military or aerospace use of TI components which have **not** been so designated is solely at the Buyer's risk, and that Buyer is solely responsible for compliance with all legal and regulatory requirements in connection with such use.

TI has specifically designated certain components as meeting ISO/TS16949 requirements, mainly for automotive use. In any case of use of non-designated products, TI will not be responsible for any failure to meet ISO/TS16949.

### Products

Audio	<a href="http://www.ti.com/audio">www.ti.com/audio</a>
Amplifiers	<a href="http://amplifier.ti.com">amplifier.ti.com</a>
Data Converters	<a href="http://dataconverter.ti.com">dataconverter.ti.com</a>
DLP® Products	<a href="http://www.dlp.com">www.dlp.com</a>
DSP	<a href="http://dsp.ti.com">dsp.ti.com</a>
Clocks and Timers	<a href="http://www.ti.com/clocks">www.ti.com/clocks</a>
Interface	<a href="http://interface.ti.com">interface.ti.com</a>
Logic	<a href="http://logic.ti.com">logic.ti.com</a>
Power Mgmt	<a href="http://power.ti.com">power.ti.com</a>
Microcontrollers	<a href="http://microcontroller.ti.com">microcontroller.ti.com</a>
RFID	<a href="http://www.ti-rfid.com">www.ti-rfid.com</a>
OMAP Applications Processors	<a href="http://www.ti.com/omap">www.ti.com/omap</a>
Wireless Connectivity	<a href="http://www.ti.com/wirelessconnectivity">www.ti.com/wirelessconnectivity</a>

### Applications

Automotive and Transportation	<a href="http://www.ti.com/automotive">www.ti.com/automotive</a>
Communications and Telecom	<a href="http://www.ti.com/communications">www.ti.com/communications</a>
Computers and Peripherals	<a href="http://www.ti.com/computers">www.ti.com/computers</a>
Consumer Electronics	<a href="http://www.ti.com/consumer-apps">www.ti.com/consumer-apps</a>
Energy and Lighting	<a href="http://www.ti.com/energy">www.ti.com/energy</a>
Industrial	<a href="http://www.ti.com/industrial">www.ti.com/industrial</a>
Medical	<a href="http://www.ti.com/medical">www.ti.com/medical</a>
Security	<a href="http://www.ti.com/security">www.ti.com/security</a>
Space, Avionics and Defense	<a href="http://www.ti.com/space-avionics-defense">www.ti.com/space-avionics-defense</a>
Video and Imaging	<a href="http://www.ti.com/video">www.ti.com/video</a>

### TI E2E Community

[e2e.ti.com](http://e2e.ti.com)