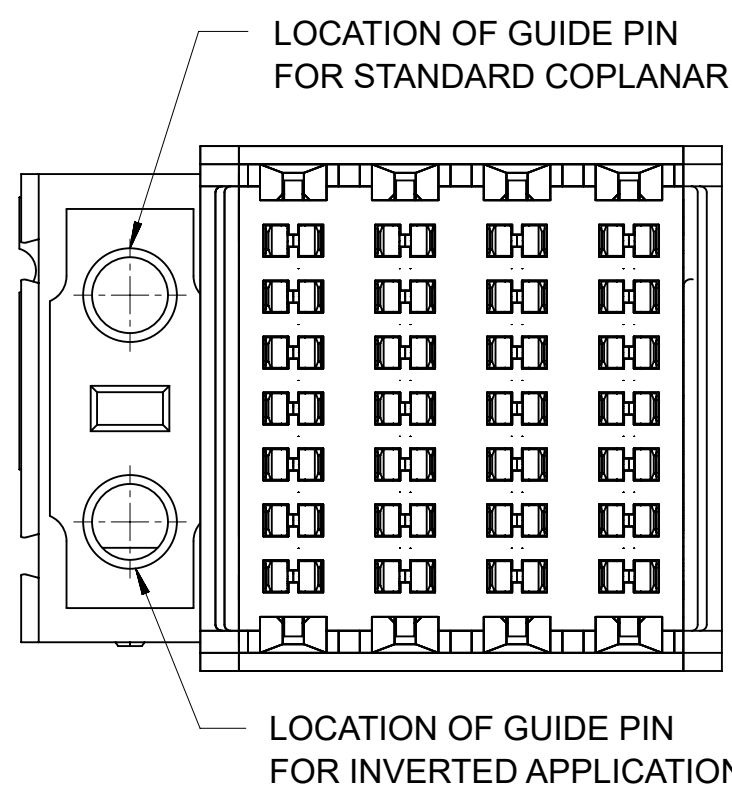
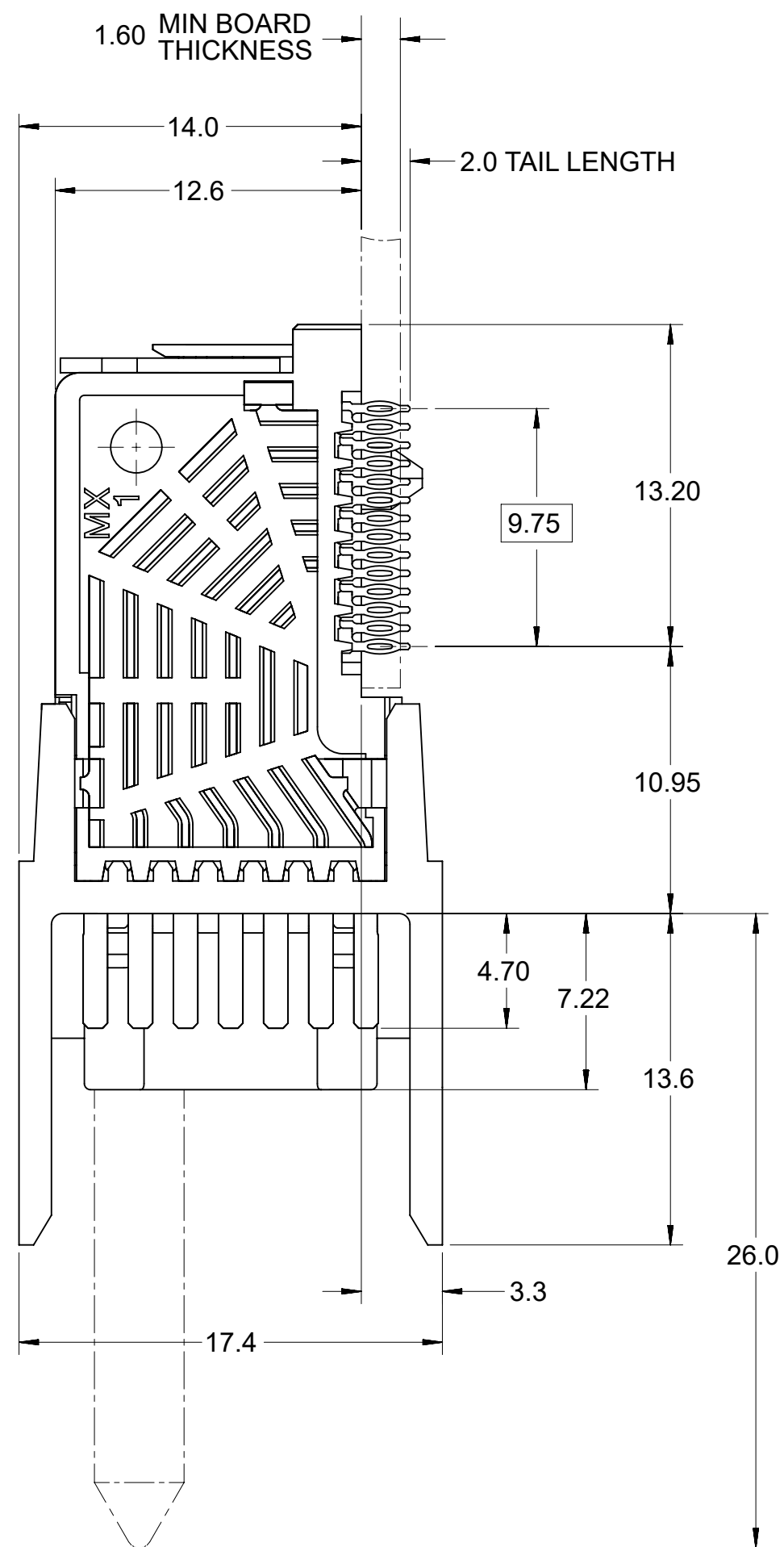


ADDITIONAL SPACE REQUIRED FOR END WALL VERSION



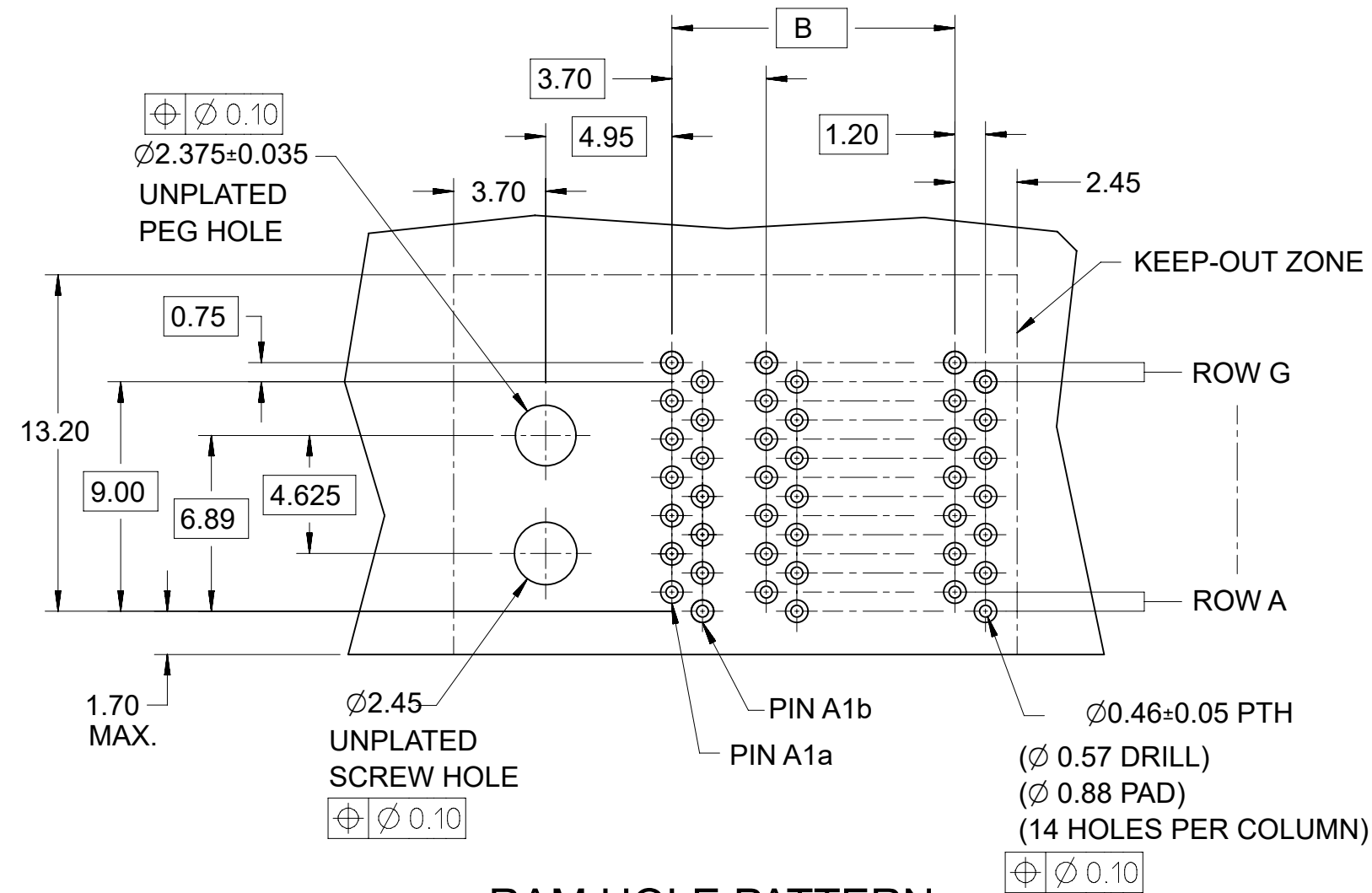
LOCATION OF GUIDE PIN FOR STANDARD COPLANAR

LOCATION OF GUIDE PIN FOR INVERTED APPLICATION



STANDARD PIN OPTION
(76011-***3)
(76011-***7)

SEE NOTE 4.



RAM HOLE PATTERN
(CONNECTOR SIDE)

NOTES:

1. MATERIALS: HOUSING - LIQUID CRYSTAL POLYMER (LCP), BLACK, UL 94V-0
TERMINALS - HIGH PERFORMANCE COPPER ALLOY
2. FINISH: SELECTIVE GOLD (Au) IN CONTACT AREA,
SELECTIVE MATTE TIN (Sn) IN TAIL AREA;
NICKEL (Ni) UNDERPLATE OVERALL.
3. MOLEX PRODUCT SPECIFICATION: PS-75710-999.
4. OPTIONAL GUIDE PIN SHOWN IN COPLANAR LOCATION.
5. THIS PART CONFORMS TO CLASS B REQUIREMENTS OF
COSMETIC SPEC PS-45499-002.
6. PACKAGED PER PK-70873-588.
7. MAPS (MOLEX ADVANCED PLATING SYSTEM).

THIS DRAWING CONTAINS INFORMATION THAT IS PROPRIETARY TO MOLEX ELECTRONIC TECHNOLOGIES, LLC AND SHOULD NOT BE USED WITHOUT WRITTEN PERMISSION

DIMENSION UNITS		SCALE		CURRENT REV DESC: RETRACTION AS PER SALES FORCE CASE# 155432		molex							
mm		4:1											
GENERAL TOLERANCES (UNLESS SPECIFIED)				EC NO: 664200		I-TRAC 7-ROW RIGHT ANGLE MALE GUIDE LEFT ASSEMBLY							
		MM	INCH										
4 PLACES	±			DRWN: SUGEEB		2021/05/18		PRODUCT CUSTOMER DRAWING					
3 PLACES	±			CHK'D: GGA		2021/05/25							
2 PLACES	±	0.13		APPR: GGA		2021/05/25		DOCUMENT NUMBER					
1 PLACE	±	0.25		INITIAL REVISION:									
0 PLACES	±			DRWN: ELO		2006/05/04		SD-76011-002					
ANGULAR TOL		±	°	APPR: CBIXLER		2007/02/05				DOC TYPE	DOC PART	REVISION	
DRAFT WHERE APPLICABLE MUST REMAIN WITHIN DIMENSIONS				THIRD ANGLE PROJECTION		DRAWING		SERIES		MATERIAL NUMBER	CUSTOMER	SHEET NUMBER	
				C-SIZE		76011		SEE SHEET 2		GENERAL MARKET		1 OF 3	

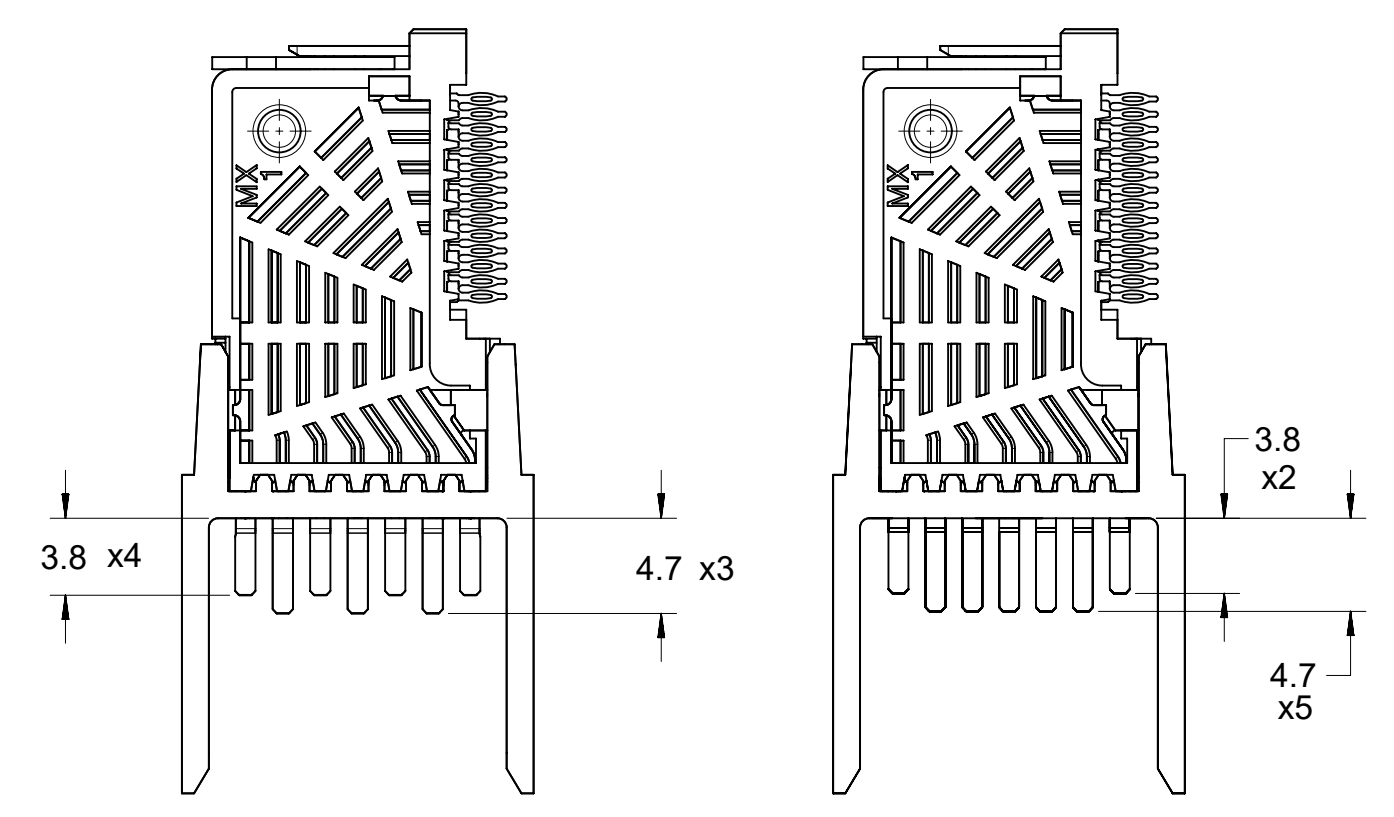
76011-***

MODULE TYPE - TAIL PLATING TYPE
 GUIDE LEFT, - MATTE TIN (FORMERLY TIN/LEAD) = 2
 GUIDE LEFT, - MATTE TIN = 3
 GUIDE LEFT, END WALL - MATTE TIN (FORMERLY TIN/LEAD) = 6
 GUIDE LEFT, END WALL - MATTE TIN = 7

PIN LENGTH/PLATING
 3 = 4.70 30 GOLD
 5 = 4 X 3.80, 3 X 4.70 STAGGERED 30 GOLD
 6 = 2 X 3.80, 5 X 4.70 STAGGERED 30 GOLD
 7 = 4.70 10 GOLD (MAPS)
 8 = 4 X 3.80, 3 X 4.70 STAGGERED 10 GOLD (MAPS)
 9 = 2 X 3.80, 5 X 4.70 STAGGERED 10 GOLD (MAPS)

OF COLUMNS
 4 = 4 COL
 6 = 6 COL
 1 = 10 COL

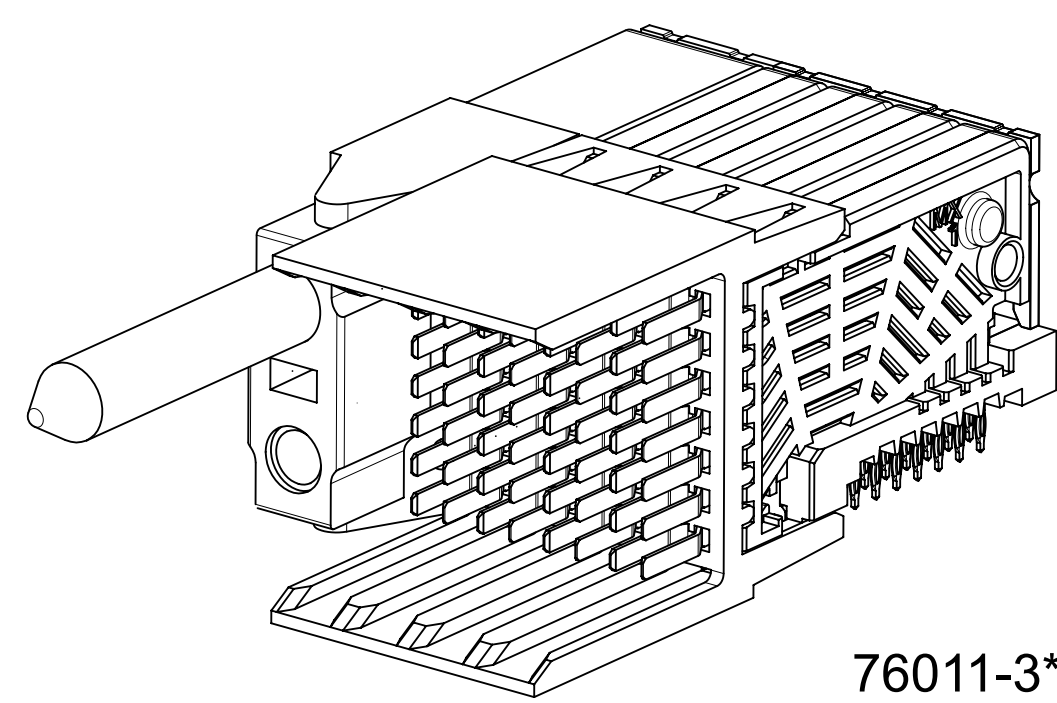
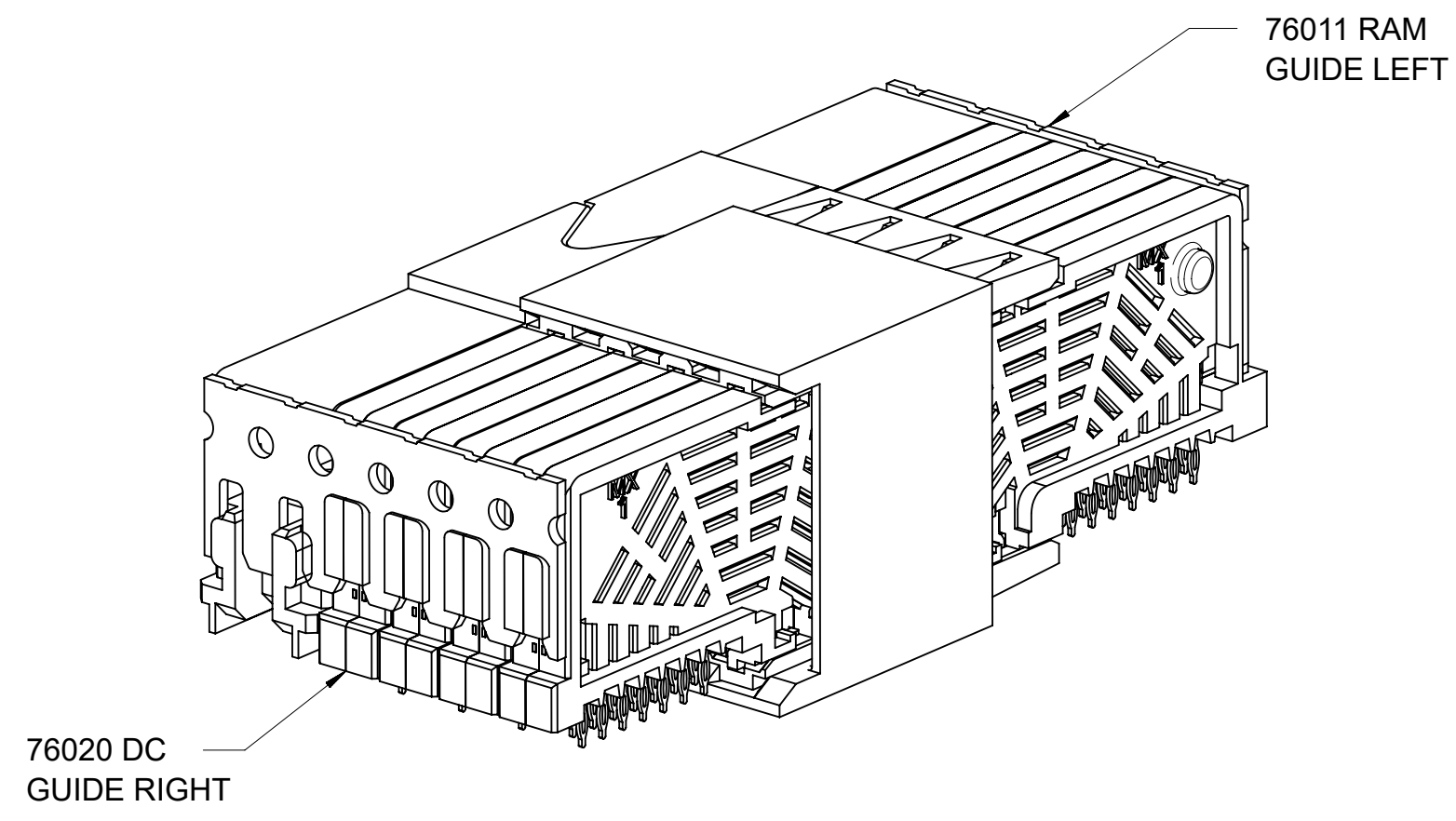
ORIENTATION OF GUIDE POST
 2 = COPLANAR
 3 = INVERTED



STAGGERED PIN OPTION (76011-***5) (76011-***8)
 STAGGERED PIN OPTION (76011-***6) (76011-***9)

NOTE:

WHEN MATING RIGHT ANGLE MALE (RAM) TO A DAUGHTERCARD IN A COPLANAR APPLICATION, THE GUIDE CONFIGURATION IS OPPOSING (DC GUIDE RIGHT MATED TO RAM GUIDE LEFT). WHEN INVERTED, THE RAM AND DAUGHTERCARD HAVE THE SAME GUIDE CONFIGURATION (DC GUIDE LEFT MATED TO RAM GUIDE LEFT). (SEE SHEET 3)



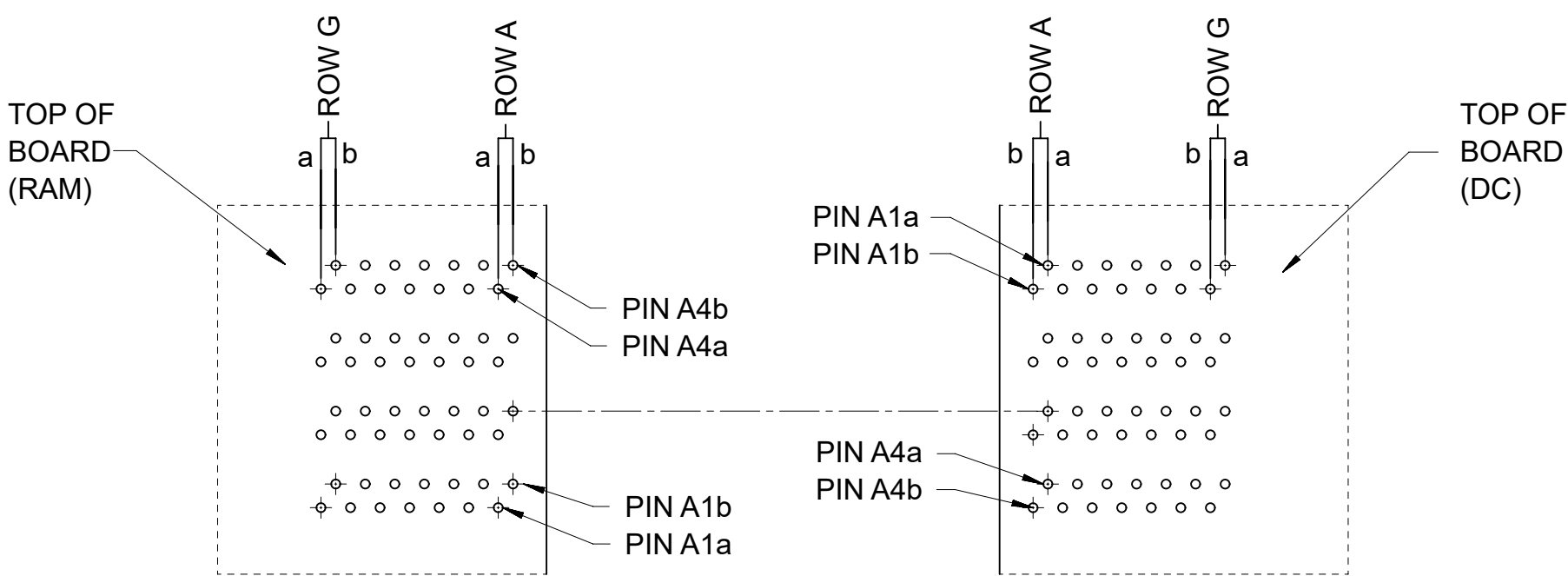
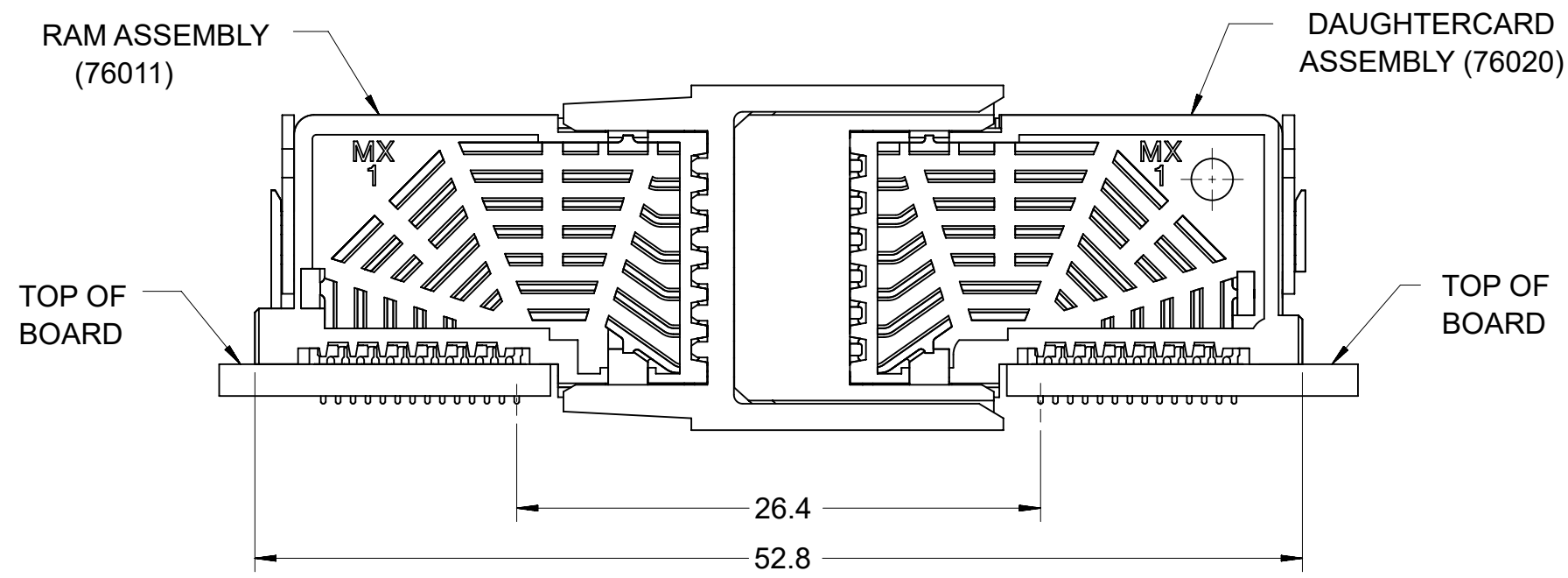
76011-3*2*
 GUIDE LEFT, COPLANAR

PART NUMBER	# OF COLUMNS	DIM "A" MAX	DIM "B"
76011 - *4**	4	22.06	11.10
76011 - *1**	10	44.40	33.30

THIS DRAWING CONTAINS INFORMATION THAT IS PROPRIETARY TO MOLEX ELECTRONIC TECHNOLOGIES, LLC AND SHOULD NOT BE USED WITHOUT WRITTEN PERMISSION

DIMENSION UNITS mm	SCALE 3:1	CURRENT REV DESC: RETRACTION AS PER SALES FORCE CASE# 155432	molex		
GENERAL TOLERANCES (UNLESS SPECIFIED)		EC NO: 664200			
4 PLACES ±	±	DRWN: SUGEEB 2021/05/18	PRODUCT CUSTOMER DRAWING		
3 PLACES ±	±	CHK'D: GGA 2021/05/25	DOCUMENT NUMBER		
2 PLACES ± 0.13	±	APPR: GGA 2021/05/25	SD-76011-002		
1 PLACE ± 0.25	±	INITIAL REVISION:	DOC TYPE	DOC PART	REVISION
0 PLACES ±	±	DRWN: ELO 2006/05/04	PSD	001	G
ANGULAR TOL ± °	°	APPR: CBIXLER 2007/02/05	MATERIAL NUMBER	CUSTOMER	SHEET NUMBER
DRAFT WHERE APPLICABLE MUST REMAIN WITHIN DIMENSIONS	THIRD ANGLE PROJECTION	DRAWING	SEE SHEET 2	GENERAL MARKET	2 OF 3

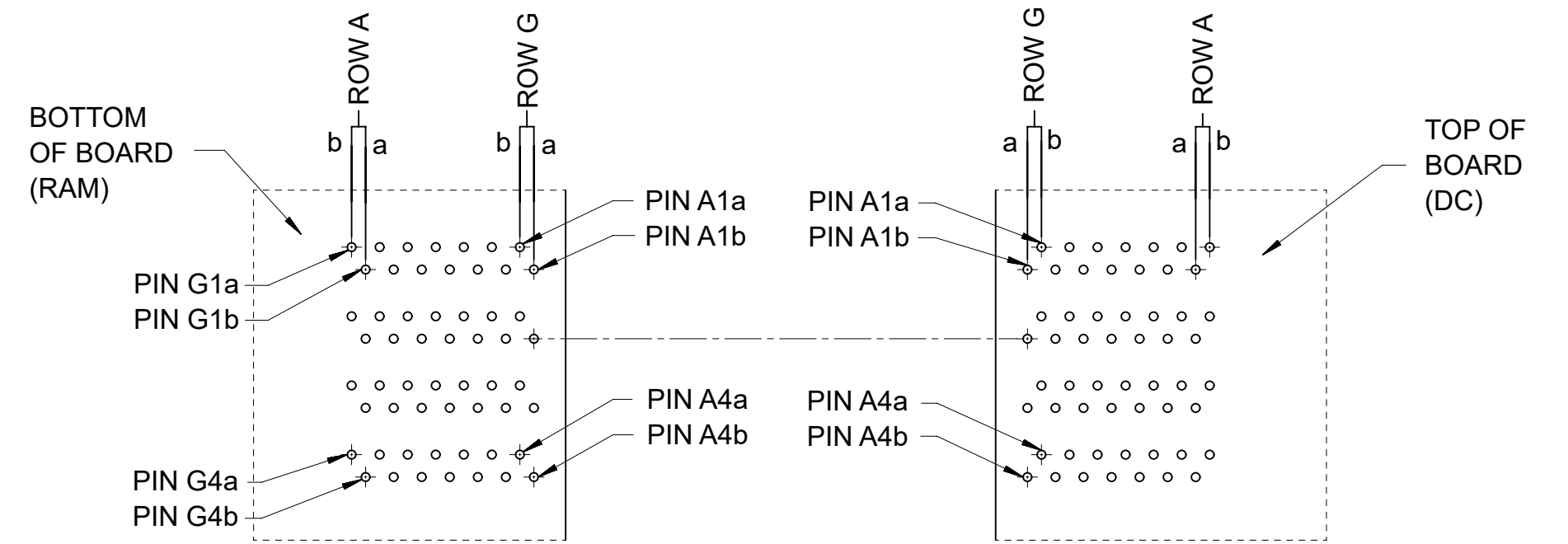
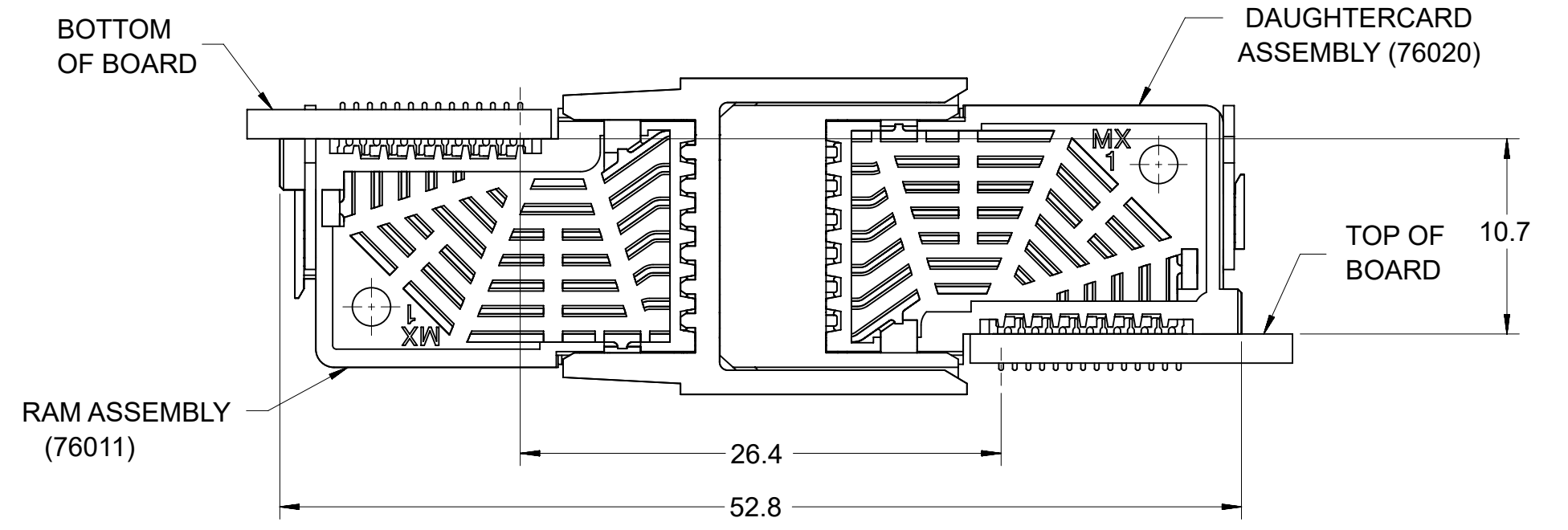
COPLANAR APPLICATION



COPLANAR MATED SIGNAL PATHS

RAM PIN A4b.....	DC PIN A1a
RAM PIN A4a.....	DC PIN A1b
RAM PIN A1b.....	DC PIN A4a
RAM PIN A1a.....	DC PIN A4b

INVERTED APPLICATION



INVERTED MATED SIGNAL PATHS

RAM PIN G1a.....	DC PIN A1a
RAM PIN G1b.....	DC PIN A1b
RAM PIN G4a.....	DC PIN A4a
RAM PIN G4b.....	DC PIN A4b

THIS DRAWING CONTAINS INFORMATION THAT IS PROPRIETARY TO MOLEX ELECTRONIC TECHNOLOGIES, LLC AND SHOULD NOT BE USED WITHOUT WRITTEN PERMISSION

DIMENSION UNITS mm		SCALE 2:1		CURRENT REV DESC: RETRACTION AS PER SALES FORCE CASE# 155432		molex		
GENERAL TOLERANCES (UNLESS SPECIFIED)				EC NO: 664200				
4 PLACES	±		±	DRWN: SUGEEB	2021/05/18	PRODUCT CUSTOMER DRAWING		
3 PLACES	±		±	CHK'D: GGA	2021/05/25			
2 PLACES	±	0.13	±	APPR: GGA	2021/05/25	DOCUMENT NUMBER SD-76011-002		
1 PLACE	±	0.25	±	INITIAL REVISION:				
0 PLACES	±		±	DRWN: ELO	2006/05/04	PSD	001	G
ANGULAR TOL	±		°	APPR: CBIXLER	2007/02/05	MATERIAL NUMBER SEE SHEET 2		
DRAFT WHERE APPLICABLE MUST REMAIN WITHIN DIMENSIONS		THIRD ANGLE PROJECTION		DRAWING	SERIES			
					C-SIZE	76011		