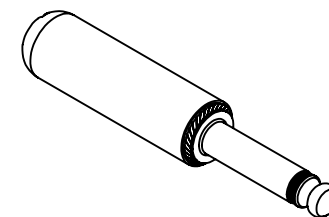
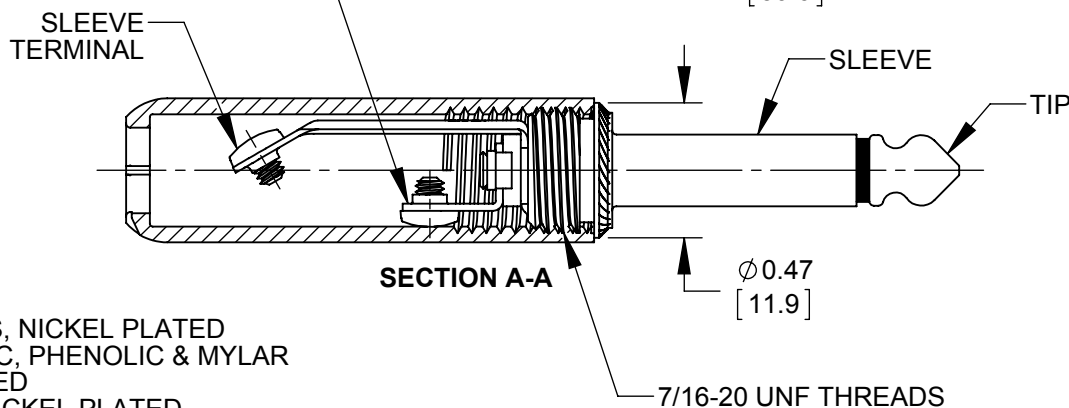
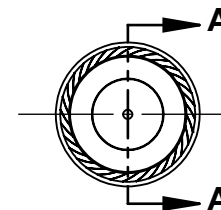
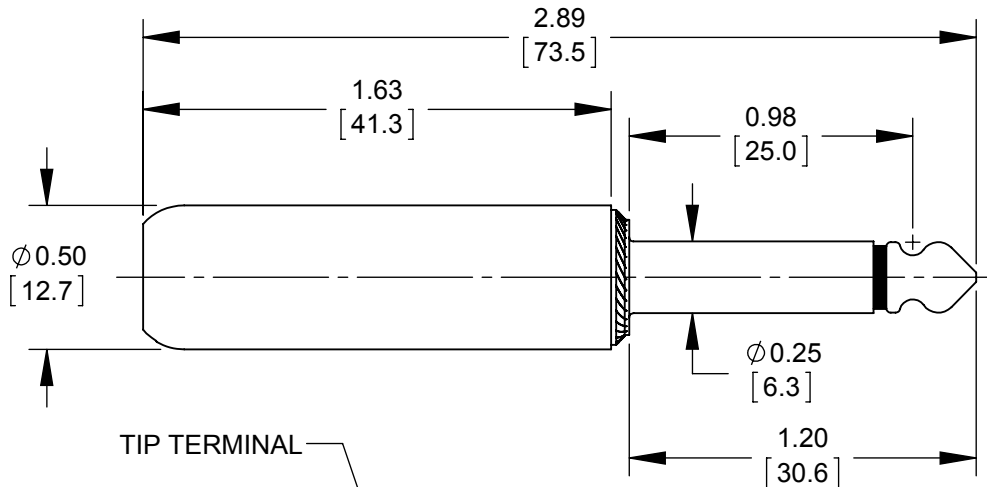


Ø0.297 REF  
[7.54]  
HANDLE I.D.



**NOTES:**

- MATERIALS:**  
TIP ROD & PLUG BODY - BRASS, NICKEL PLATED  
INSULATORS - THERMOPLASTIC, PHENOLIC & MYLAR  
TERMINALS - BRASS, TIN PLATED  
TERMINAL SCREWS - STEEL, NICKEL PLATED  
HANDLE - THERMOPLASTIC, RED
- HANDLE & SCREWS SHIPPED ASSEMBLED.
- THIS PRODUCT IS RoHS COMPLIANT.

**CUSTOMER DRAWING**

					THIS DRAWING DESCRIBES A DESIGN CONSIDERED PROPRIETARY IN NATURE, DEVELOPED AND MANUFACTURED BY SWITCHCRAFT INC. AND IS RELEASED ON A CONFIDENTIAL BASIS FOR IDENTIFICATION PURPOSES ONLY.				
					SIZE	WIDTH	MULT	LBS/M	TEMPER
					UNLESS OTHERWISE SPECIFIED			FINISH	
					1. ALL DIMENSIONS IN INCHES [mm]			MATERIAL	
					- TWO PLACE DECIMALS ±0.02 [0.5]			SPEC No.	
					- THREE PLACE DECIMALS ±0.005 [0.13]			SCALE	
					FIRST USED ON			1.5:1	
					DATE DRAWN	BY	CHKD TO	APVD	
					11-14-16	TO	11-14-16	TJK	
					NAME			PART No.	
					2 CONDUCTOR			245X	
					COMMERCIAL PHONE PLUG, RoHS			REV	
								A	
REVISIONS					DO NOT SCALE DRAWING				

SolidWorks CAD File

