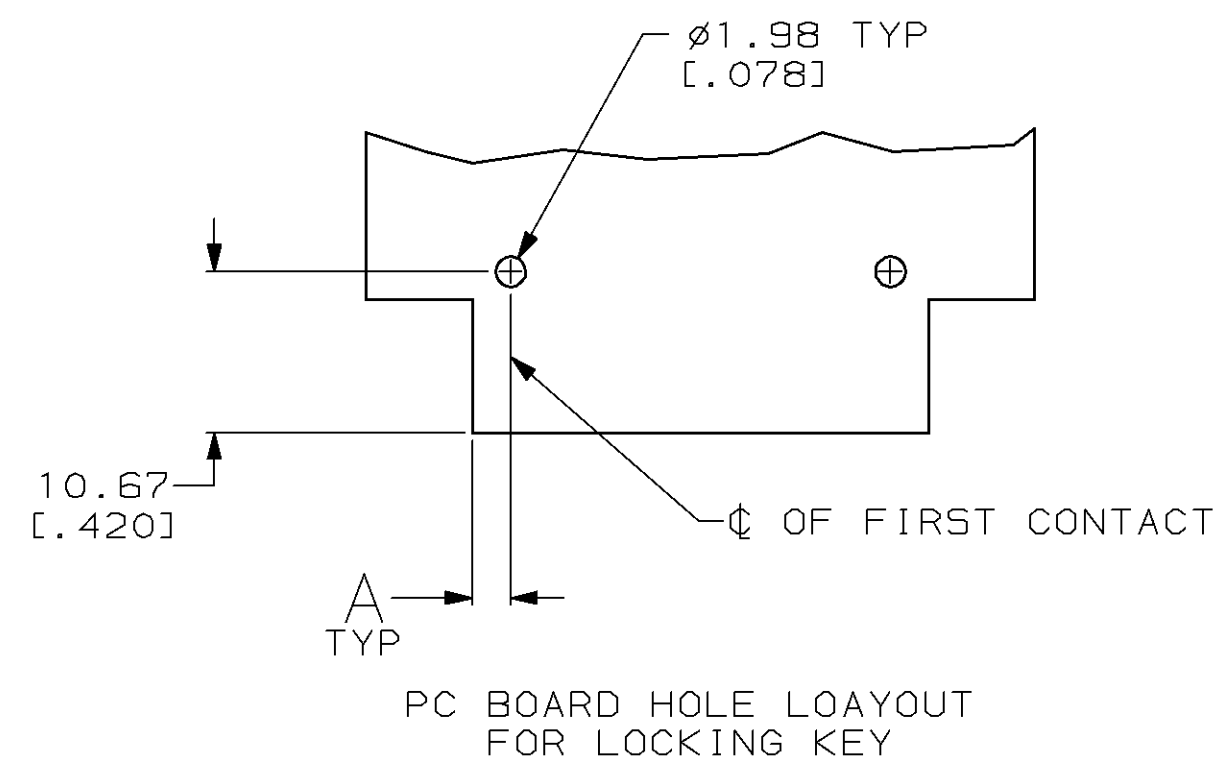
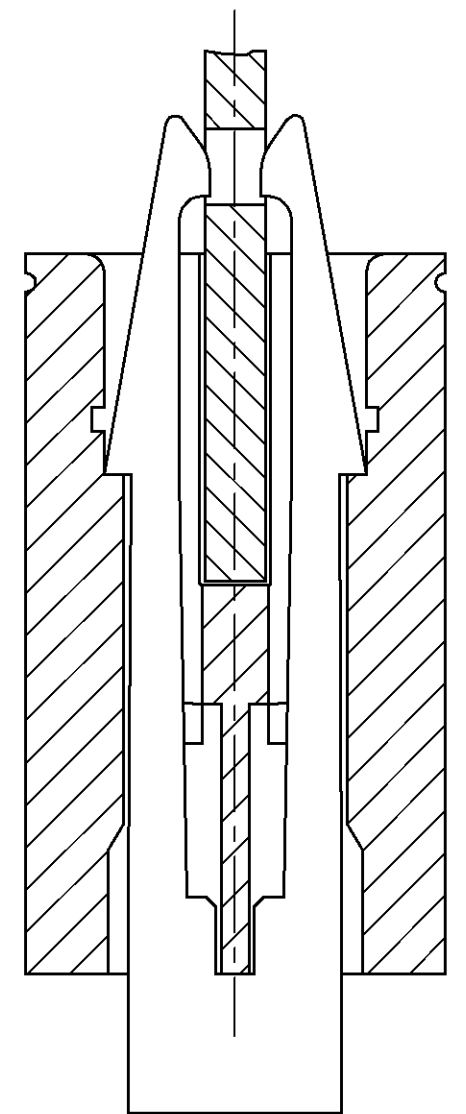
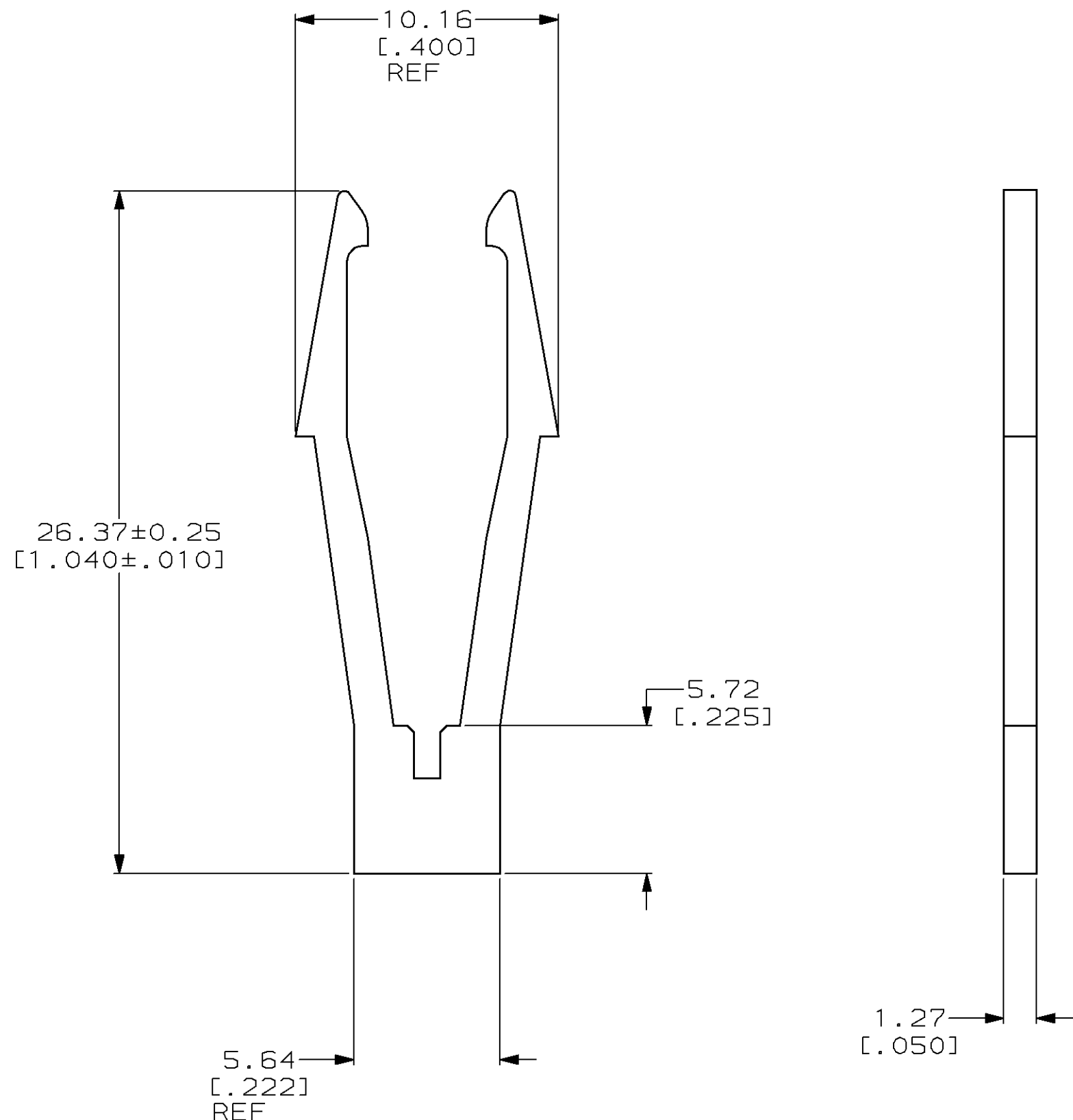


LOC	DIST	P	F	ZONE	LTR	DESCRIPTION	DATE	APPD
FT	22				C	REDRAWN PER 0010-0072-94	2/8/94	HR
					D	REV PER EC 0320-349-97	24 OCT 97	NS

1. FOR USE WITH CRIMP-SNAP TWIN LEAF HOUSING.



.156	.160
.125	.125
.100	.100
∅	A

530213-1
PART NUMBER

DO NOT SCALE PRINT. UNLESS SPECIFIED DIMENSIONS IN mm [INCHES] TOLERANCES ON : 2 PLC DEC ± - 3 PLC DEC ± .010 ANGLES ± -		DR 8-2-93 A. STAUB BG		AMP Incorporated Harrisburg, PA 17105-3608	
MATERIAL NYLON		CHK 2/8/94 H ROSE			
FINISH -		APPD 2/8/94 M THUMMA		NAME LOCKING KEY CRIMP TWIN LEAF	
-		APPLICATION SPEC -		SIZE C	CAGE CODE 00779
-		WEIGHT -		DRAWING NO G=530213	SHEET 1 OF 1

THIS DRAWING IS A CONTROLLED DOCUMENT FOR AMP INCORPORATED. IT IS SUBJECT TO CHANGE AND THE CONTROLLING ENGINEERING ORGANIZATION SHOULD BE CONTACTED FOR THE LATEST REVISION.