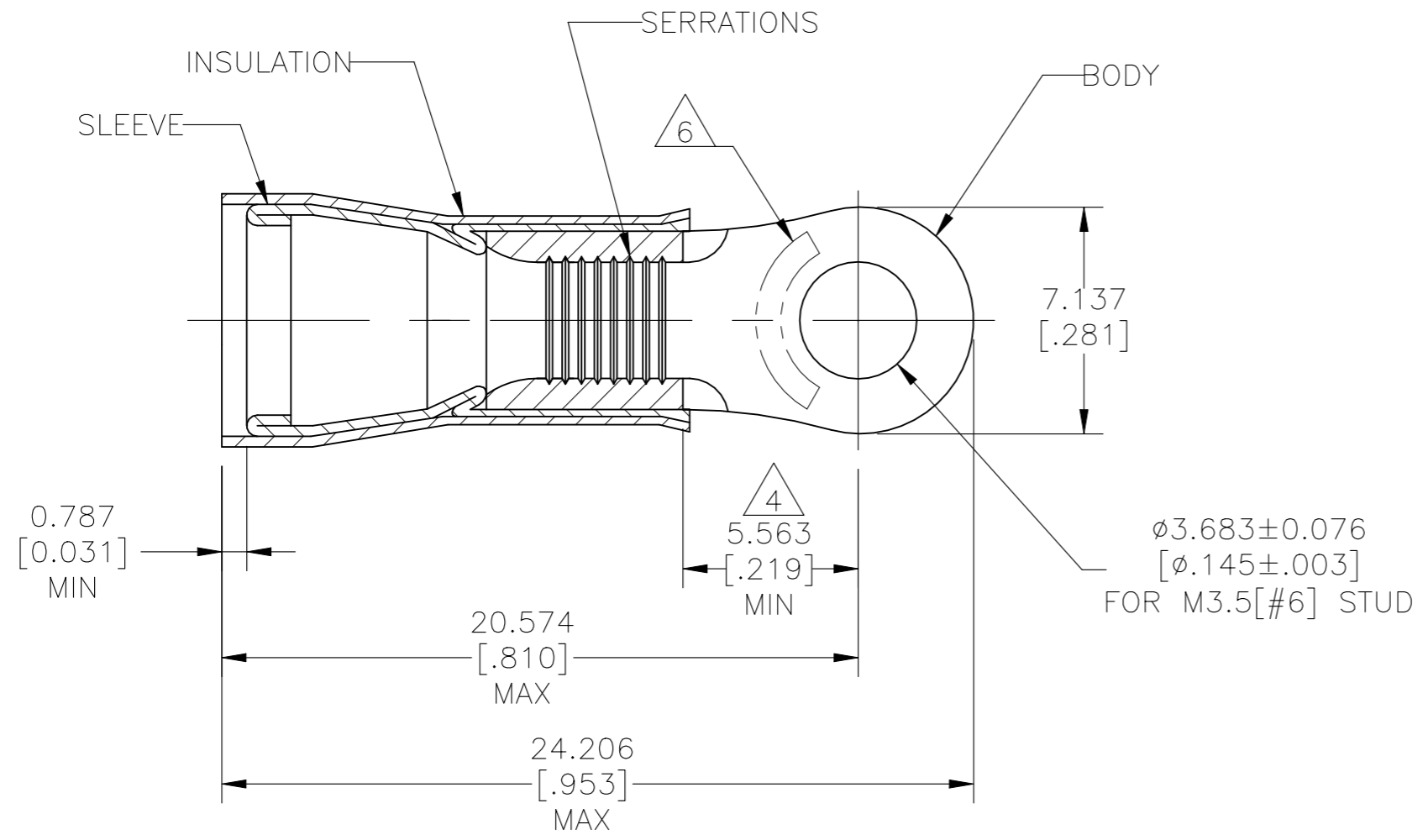


© - TE Connectivity. All Rights Reserved.

REVISIONS					
P	LTR	DESCRIPTION	DATE	DWN	APVD
	E5	REVISED PER ECR-22-155128	27OCT2022	BB	DSC



- 1 WIRE INSULATION DIAMETER: $\phi 3.810[.150]$ TO $\phi 5.842[.230]$
- 2 MATERIAL:
BODY & SLEEVE – COPPER PER ASTM B152
INSULATION – NYLON PER ASTM D4066, TYPE 1
- 3 FINISH:
BODY & SLEEVE: TIN PLATE $0.00254[.000100]$
MIN EXT THK PER ASTM B545
INSULATION COLOR – YELLOW
- 4 APPLIES FROM EDGE OF METAL WIRE BARREL
TO CENTER OF STUD HOLE.
- 5 BODY MATERIAL THICKNESS: $0.991 \pm 0.051[.039 \pm .002]$
- 6 STAMP AMP 12-10* APPROX AS SHOWN.

AMP WIRE RANGE	Listed FILE E13288	LR7189 Certified
12-10 AWG SOLID OR STRANDED	12-10 AWG SOLID OR STRANDED	12-10 AWG SOLID OR STRANDED

2000	ON TAPE	2-320634-1
500	LOOSE PIECE	320634
QTY	PACKAGE TYPE	PART NO

AMP INCORPORATED CUSTOMER SERVICE SYSTEMS

FOR ADDITIONAL PRODUCT INFORMATION OR COPIES OF DRAWINGS AND TECHNICAL DOCUMENTS	PRODUCT INFORMATION CENTER 1-800-522-6752
FOR APPLICATION TOOLING INFORMATION	TOOLING ASSISTANCE CENTER 1-800-722-1111
FOR ORDER ENTRY	1-800-526-5142

MAX RECOMMENDED OPERATING TEMPERATURE: 105°C [221°F]
VOLTAGE RATING: 300 V MAX
WIRE CROSS SECTIONAL AREA RANGE, 2.26-6.64mm ² [5,180-13,100] SOLID OR STRANDED

THIS DRAWING IS A CONTROLLED DOCUMENT.

DIMENSIONS: mm [INCHES]	TOLERANCES UNLESS OTHERWISE SPECIFIED:
	0 PLC ± - 1 PLC ± - 2 PLC ± - 3 PLC ± 0.127[.005] 4 PLC ± - ± - ANGLES ± -
MATERIAL	FINISH
2	3

DWN jr_ruth 12JUN09
CHK TOM MICHIELUTTI 12JUN09
APVD TOM MICHIELUTTI 12JUN09
PRODUCT SPEC UL 486A-B
APPLICATION SPEC 114-2157
WEIGHT -
CUSTOMER DRAWING

TE Connectivity			
NAME TERMINAL, RING TONGUE, PIDG, WIRE SIZE: 12-10 AWG			
SIZE A3	CAGE CODE 00779	DRAWING NO C-320634	RESTRICTED TO -
SCALE 5:1		SHEET 1 OF 1	REV E5