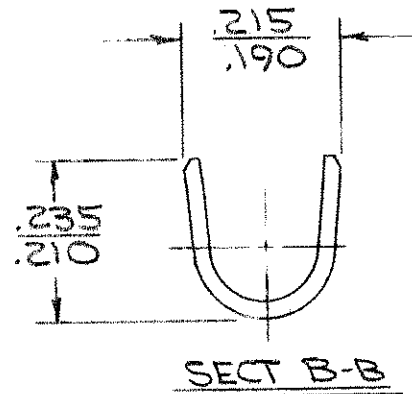
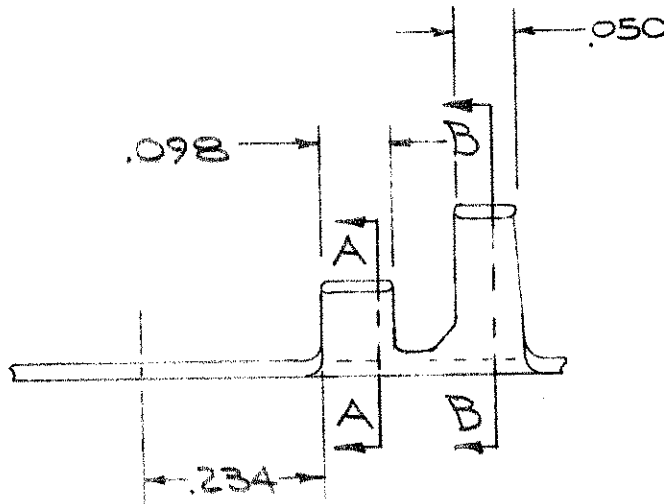
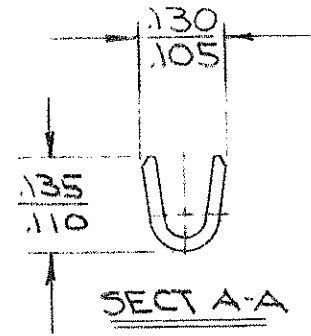
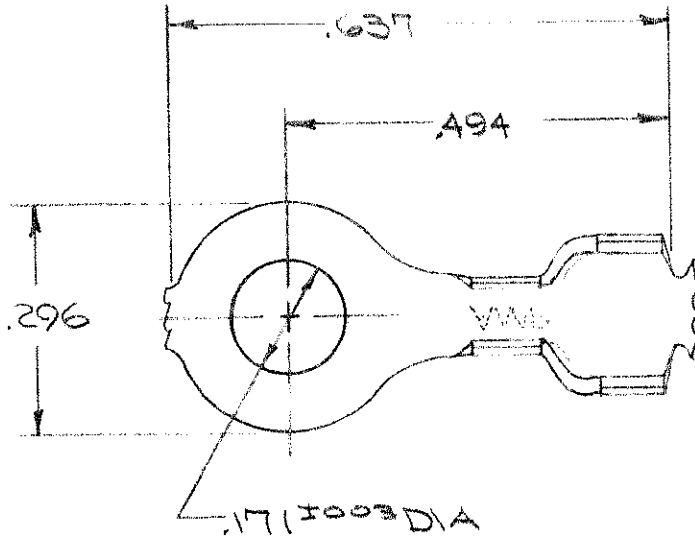


NUMBER
A85003

S



CONTINUOUS STRIP, ON REELS

TERMINAL
NUMBER
A85003-1

DIMENSIONS IN INCHES. DO NOT SCALE PRINT.

Unpublished copy not to be reproduced nor published without written permission of AMP Incorporated

©1970 BY AMP INCORPORATED. ALL RIGHTS RESERVED. AMP PRODUCTS COVERED BY PATENTS AND/OR PATENTS PENDING

**CUSTOMER COPY
REFERENCE ONLY**

D	REV PER 063A-0271-02	MF	DFD	8-19-70
C	REVISED & RELEASED	V-0089	GF	1/14/70
B	REVISED	V-0070	GF	10/30/70
A	REVISED & RELEASED	V-0028	GF	7/27/70

MATERIAL AND FINISH
.020 STEEL



AMP INCORPORATED
HARRISBURG, PENNA.

NICKEL

CLASS — // —

WIRE — RANGE — INSULATION
*22-18 | 120-170

TYPE — // —

LTR	REVISION RECORD	ECN	DR	CHK	DATE
DR	G YETTER	6-3-70	DR	R.P. Farnley	6-3-70
CHK			APP	R.P. Farnley	6-3-70

TOLERANCE EXCEPT AS NOTED
± .018 ± 1° 0'

LOC	NO	REV
AF A	A85003	D

NAME
RING

PRINT DIST
50