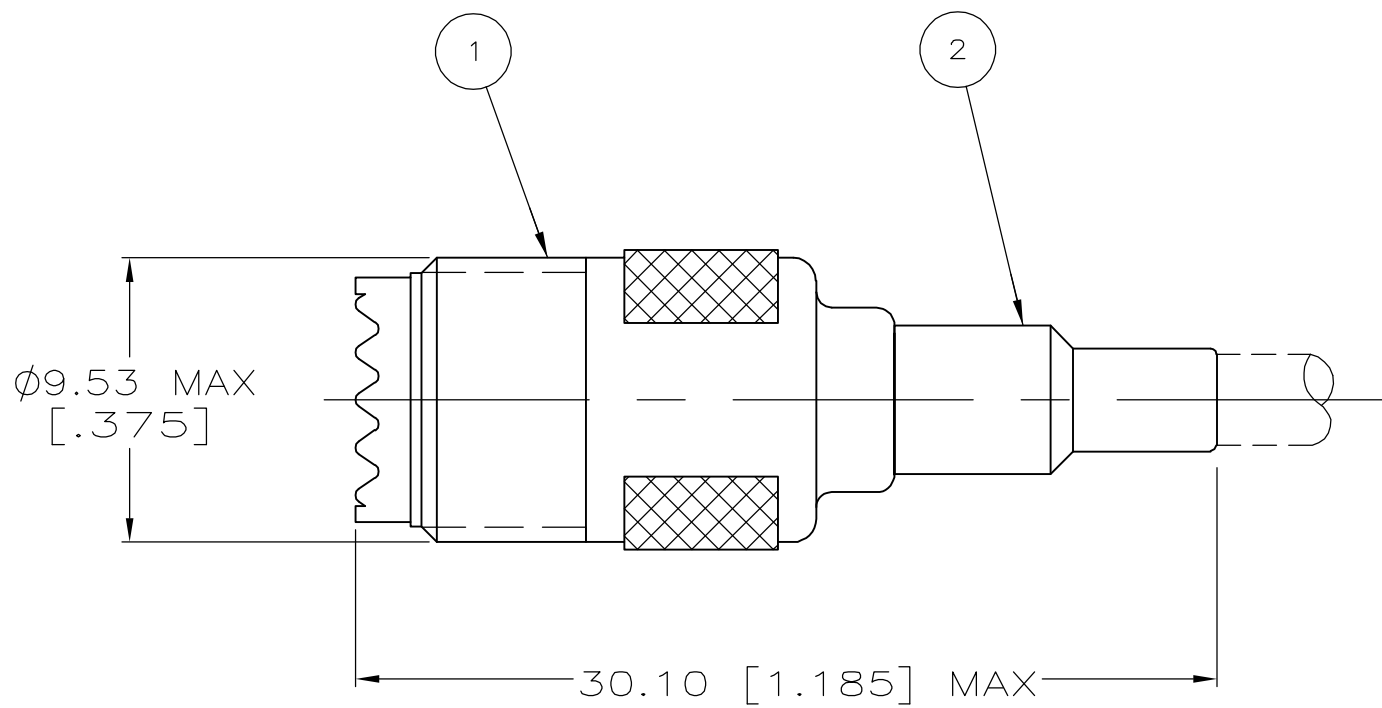
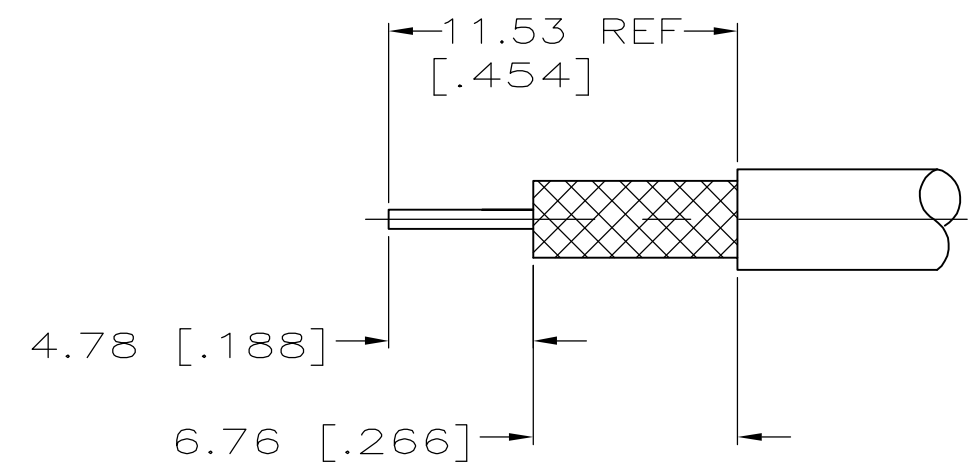


THIS DRAWING IS UNPUBLISHED. RELEASED FOR PUBLICATION
 © COPYRIGHT BY TYCO ELECTRONICS CORPORATION. ALL RIGHTS RESERVED.

LOC	DIST	REVISIONS					
AJ	16	P	LTR	DESCRIPTION	DATE	DWN	APVD
		0		REV PER EC-0S14-0496-04	01FEB2005	GA	JL



- △1 FOR USE WITH: RG-316/U CABLE
- △2 USE CRIMPING TOOL: PNEUMATIC TOOL 69365-3 WITH DIE SET 58159-1



RECOMMENDED STRIP LENGTH

9-328666-0	414479-1	5414477-1
② FERRULE	① JACK ASSY QTY=1	PART NO

THIS DRAWING IS A CONTROLLED DOCUMENT.		DWN G. ATTADIA - DOCK5 01FEB2005	Tyco Electronics Corporation Harrisburg, Pa 17105-3608	
DIMENSIONS: mm [INCHES]	TOLERANCES UNLESS OTHERWISE SPECIFIED:	CHK J. HAVENER 01FEB2005	NAME JACK, MINIATURE UHF	
	0 PLC ± -	APVD J. LIPPERT 01FEB2005	PRODUCT SPEC	
	1 PLC ± -		APPLICATION SPEC	
	2 PLC ± 0.38 [.015]		SIZE	CAGE CODE
	3 PLC ± -		A3	00779
	4 PLC ± -		DRAWING NO	RESTRICTED TO
	ANGLES ± -		C-5414477	-
MATERIAL	FINISH	WEIGHT	CUSTOMER DRAWING	
-	-	-	SCALE	SHEET
			4:1	1 OF 1
				REV 0