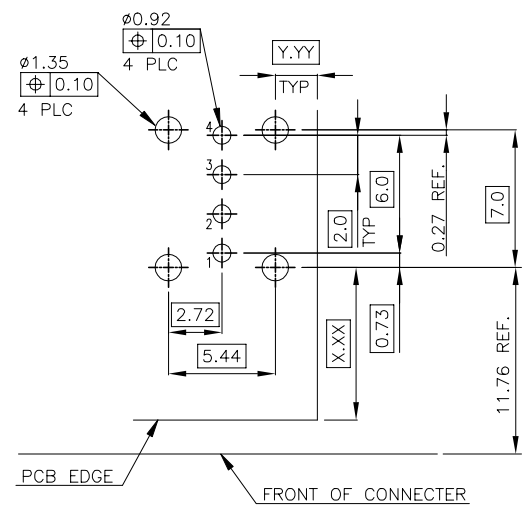
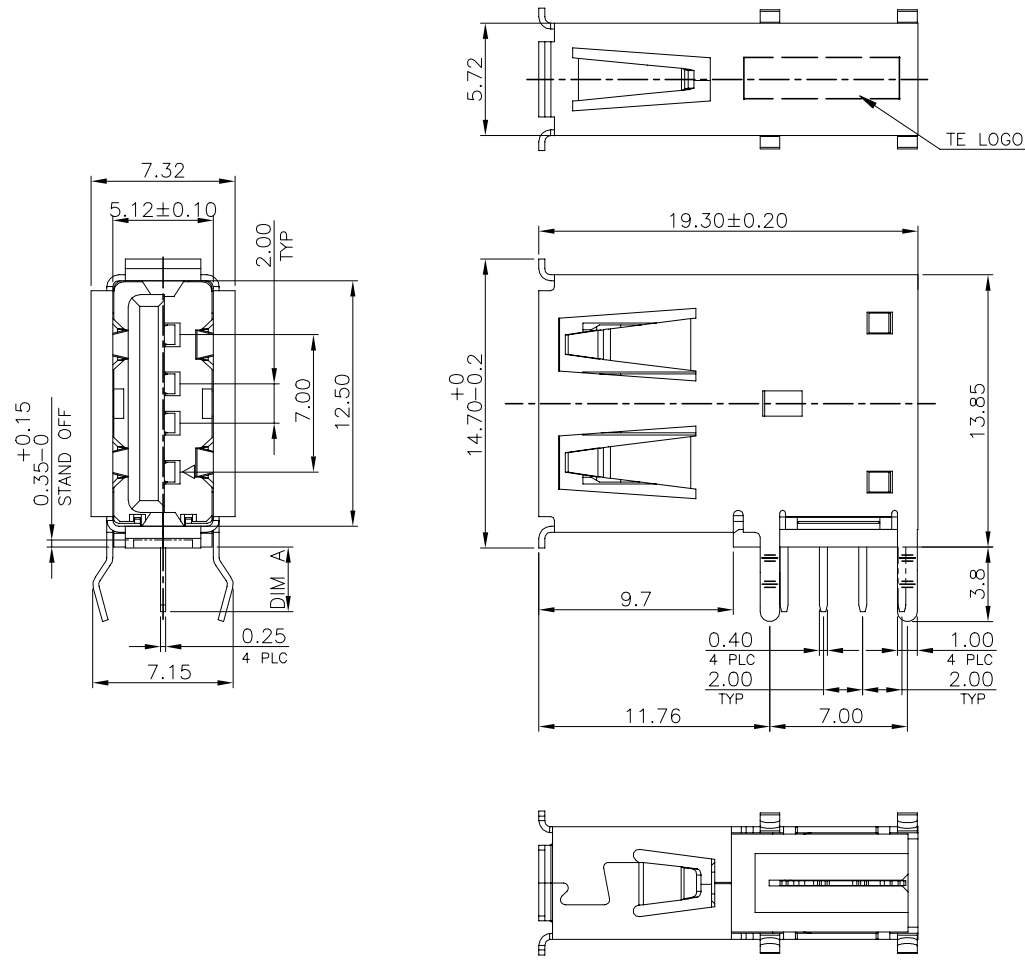


LOC	DIST	REVISIONS			
P	LTR	DESCRIPTION	DATE	DWN	APVD
DW		REVISED (ECN-22-164957), ADD GOLD PLATING	25JUL22	IT	SZ

- NOTES:
- MATERIAL:  
 HOUSING: PBT WITH 30% GF, UL 94V-0, BLACK COLOR.  
 CONTACTS: PHOSPHOR BRONZE.  
 SHIELD: PHOSPHOR BRONZE.
  - FINISH:  
 CONTACTS: GOLD FLASH OVER 0.762μm [30μ"] MIN. PALLADIUM-NICKEL OR ALTERNATIVE 0.762μm[30u"] MIN. GOLD PLATED ON CONTACT AREA, 2.54μm [100μ"] MIN. MATTE-TIN ON SOLDER TAIL, WITH ENTIRE CONTACT UNDERPLATED 1.27μm [50μ"] MIN. NICKEL.  
 SHIELD: 0.762μm [30μ"] MIN. NICKEL PLATED, WITH 2.54μm [100μ"] MIN. Cu UNDERPLATED OVERALL.
  - WAVE SOLDER CAPABLE TO 265°C PER TE TEST SPEC. 109-202, CONDITION B.



RECOMMENDED PCB LAYOUT (THICKNESS: 1.6MM)  
 (DIMENSION TOLERANCE: 1 PLC: ±0.10 2PLC: ±0.05)

3.30	1-1734775-1
2.45	1734775-1
DIM A	PART NUMBER

THIS DRAWING IS A CONTROLLED DOCUMENT.		DWN O. HU 22MAY2007	TE Connectivity	
DIMENSIONS: mm		CHK S. HOU 22MAY2007		
TOLERANCES UNLESS OTHERWISE SPECIFIED:		APVD W.J. KE 22MAY2007	NAME	
0 PLC ± 0.38 1 PLC ± 0.25 2 PLC ± 0.20 3 PLC ± - 4 PLC ± - ANGLES ± 3°		PRODUCT SPEC 108-57322	USB CONNECTOR, RECEPTACLE, FLAG, R/A, DIP, A TYPE	
MATERIAL SEE NOTE		FINISH SEE NOTE	SIZE A3	CAGE CODE 00779
		WEIGHT 2.4 GRAMS	DRAWING NO C=1734775	RESTRICTED TO
		CUSTOMER DRAWING	SCALE	SHEET 1 OF 2

4

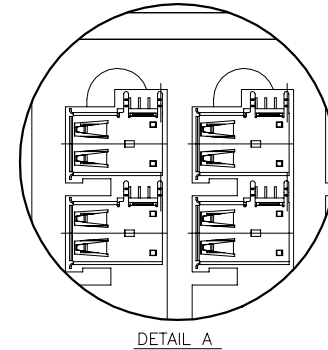
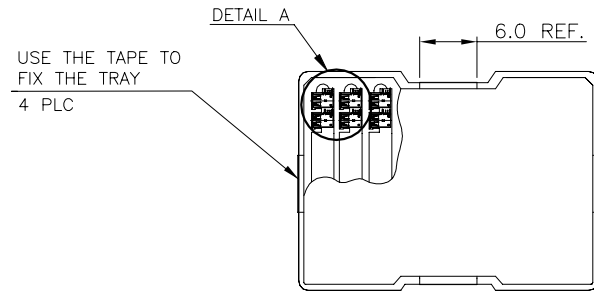
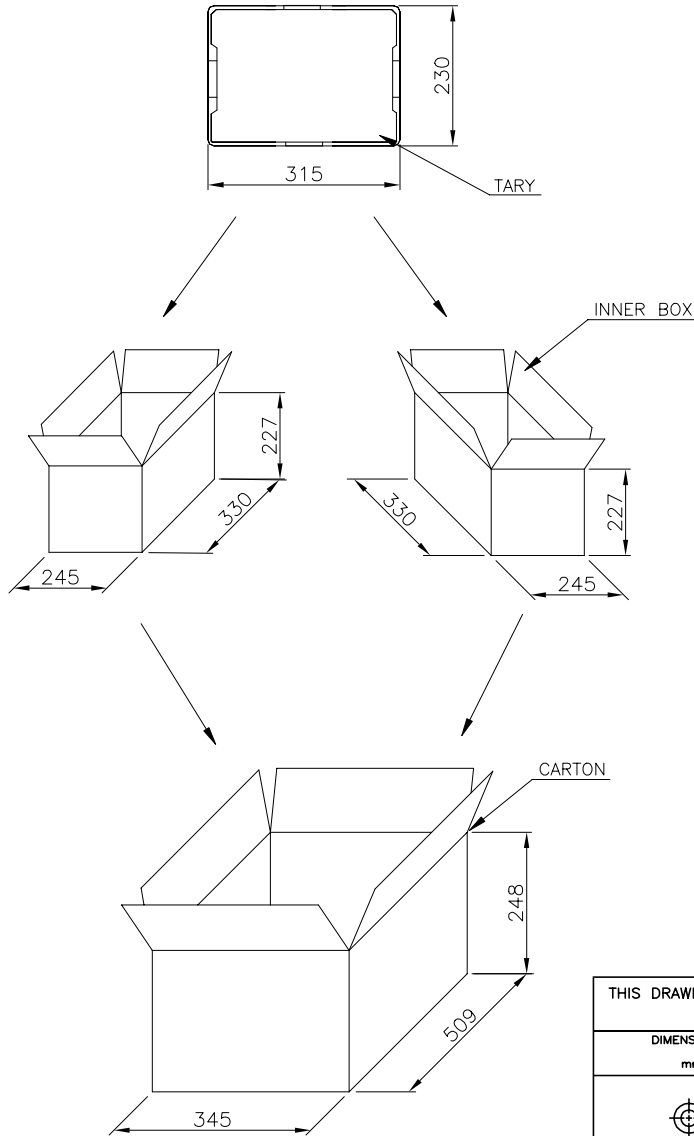
3

2

1

THIS DRAWING IS UNPUBLISHED. RELEASED FOR PUBLICATION  
 © COPYRIGHT 2011 BY TYCO ELECTRONICS CORPORATION. ALL RIGHTS RESERVED.

LOC	DIST	REVISIONS			
P	LTR	DESCRIPTION	DATE	DWN	APVD
		SEE SHEET 1.			



11.1 Kg	10.1 Kg	100	21	2	4200 PCS
GROSS WEIGHT	NET WEIGHT	PCS/TRAY	TRAYS /INNER BOX	INNER BOX /CARTON	QUANTITY

THIS DRAWING IS A CONTROLLED DOCUMENT.		DWN	 TE Connectivity USB CONNECTOR, RECEPTACLE, FLAG, R/A, DIP, A TYPE				
DIMENSIONS: mm		CHK					
TOLERANCES UNLESS OTHERWISE SPECIFIED:		APVD					
0 PLC ± - 1 PLC ± - 2 PLC ± - 3 PLC ± - 4 PLC ± - ANGLES ± -		PRODUCT SPEC					
MATERIAL		FINISH	APPLICATION SPEC	SIZE	CAGE CODE	DRAWING NO	RESTRICTED TO
			WEIGHT	A3	00779	C=1734775	-
CUSTOMER DRAWING			SCALE	SHEET	2 of 2	REV	D