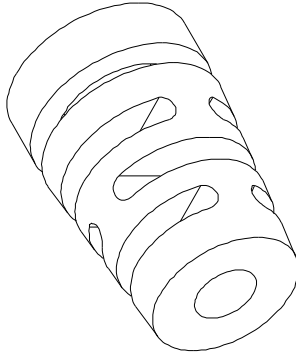
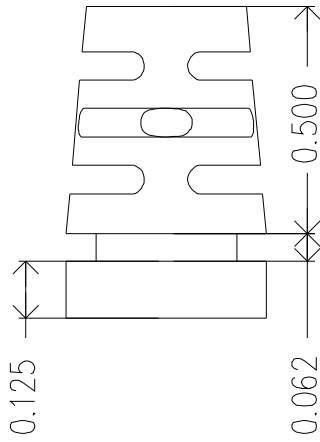
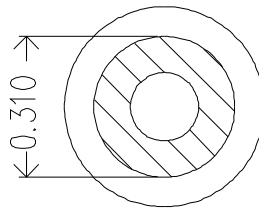
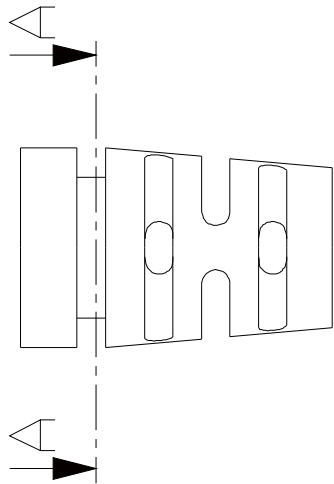
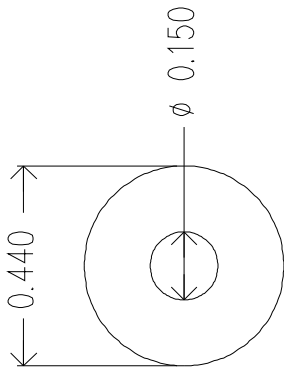


REVISIONS		DATE	APPROVED
ZONE	REV.		



Mold Material: ISC P/N: 5000214, PVC, M1472, Black, RoHS

A-A

Dimensions are subject to change.
 PROPRIETARY AND CONFIDENTIAL

THE INFORMATION CONTAINED IN THIS DRAWING IS THE SOLE PROPERTY OF ISC ENGINEERING. ANY REPRODUCTION IN PART OR AS A WHOLE WITHOUT THE WRITTEN PERMISSION OF ISC ENGINEERING IS PROHIBITED.

DIMENSIONS ARE IN INCHES		NAME	DATE
DRAWN	R FIERRO	08/08/03	ISC Engineering 4351 Schaefer Ave, Chino, CA 91710 Ph: 909-596-3315 Fax: 909-596-3335 www.iscengineering.com www.overmoldtooling.com
TOLERANCES:			
FRACTIONAL ±		CHECKED	
ANGULAR: MACH ±	BEND ±	ENG APPR.	
TWO PLACE DECIMAL ±		MFG APPR.	
THREE PLACE DECIMAL ±		Q.A.	
		COMMENTS:	
			1461080-150-B-310-440-0
			SIZE DWG. NO. 1467095
			SCALE: 5:1
			WEIGHT:
			SHEET 1 OF 1

