

APPROVED: _____
 DATE: _____ TITLE: _____

Rev	AWO #	Description	Date	Appr
-		RELEASED	12/22/21	
A		ADDED SPEC.	8/11/22	LH/TW

SPECIFICATIONS:

Material:

SMA	SMA-M	Black
Noumenon	ABS	Black
Upper firmware	ABS	Black
Lower firmware	ABS	Black

Electrical:

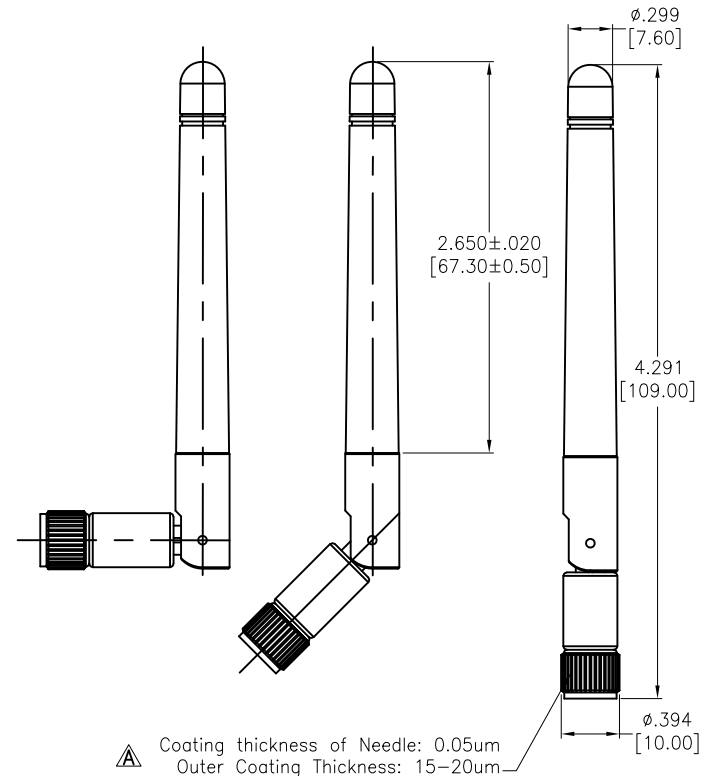
Standards	GPS/GLONASS/BEIDOU/Galileo		
Frequency range(MHz)	1559	1575.42	1602
Peak Gain	4.3dBi	4.1dBi	4.4dBi
Average Gain(dB)	-1.5dB	-1.7dB	-2.0dB
VSWR	1.2	1.1	1.2
Return Loss	-22.7	-27.8	-23.0
Efficiency (%)	70.8%	68.1%	63.2%
Polarization mode	Linear		
Radiation pattern	Omni-Directional		
Output impedance	50		
Max.Input Power(W)	5		

Mechanical:

Mounting Type	Connector Mount
Connector Type	SMA Male 3M
Antenna size(mm)	109.0*ø10.0mm
Material	ABS
Operating Temperature	-40°C~+85°C
Storage Temperature	-40°C~+85°C
Weight(g)	8.23g

Environmental:

Lead free, RoHS compliant.



UNLESS OTHERWISE SPECIFIED ALL DIMENSIONS ARE INCHES [MM]. TOLERANCES: EXCEPT AS NOTED

INCHES		HOLES	
.x	± .10	ø.x	± .10
.xx	± .020	ø.xx	± .015
.xxx	± .015	ø.xxx	± .010

ADAM TECH

909 Rahway Avenue,
 Union, NJ 07083
 Phone: 908-687-5000
 Fax: 908-687-5710

DRAWN	WX	12/22/21
CHECKED	RC	12/22/21
APPROVED		

TITLE
 2G 3G EXTERNAL ANTENNA, STRAIGHT WITH SMA MALE

THIS DRAWING CONTAINS INFORMATION THAT IS PROPRIETARY AND SHOULD NOT BE USED WITHOUT PRIOR WRITTEN PERMISSION FROM ADAM TECH

SIZE X	PART NO. ANT-20087EB56	REV. A
-----------	---------------------------	-----------

REF: S00207C SCALE: NTS SHEET 1 OF 1