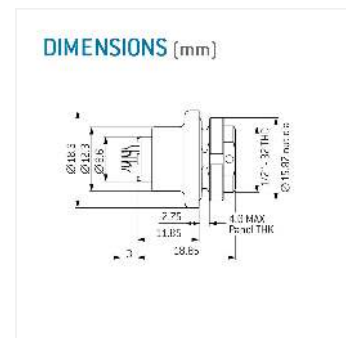
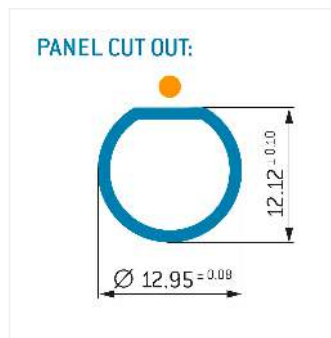
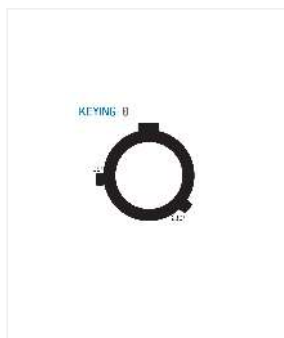


General information

Part number	GK6N0P-P06W230-0000
Termination	solder
Size	6 (STANAG 4695)
Locking principle	break
Coding	0 - 95□, 230□
Cable outlet	overmolding



Contact insert description

Number of contacts	6
Contact type	sockets
Contact diameter	07mm
Insulator material	peek
Wire cross section	22_awg
Termination	solder

Technical information

Nominal current single contact	05_a_75_a	eia_364_70d
Test voltage	075_kv_ac	eia_364_20f

safety_text

Mechanical and environmental data

Degree of protection*	ip68
Operating temperature	18_71_c
Mating cycles	2000

mated

Material and surface treatments

Housing	alu_black_carbon
Contact	cu_alloy_gold

safety_text_2
illustrative_text