

PART NAME: BALL KNOB SCALE: 1:1 DATE: 6/10/46 DR. BY JVA

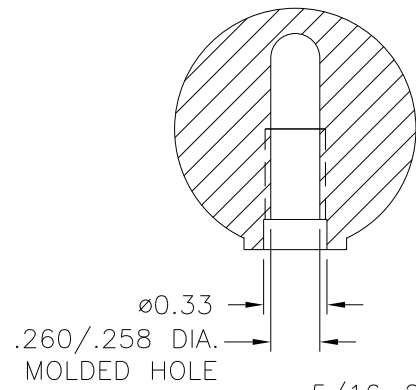
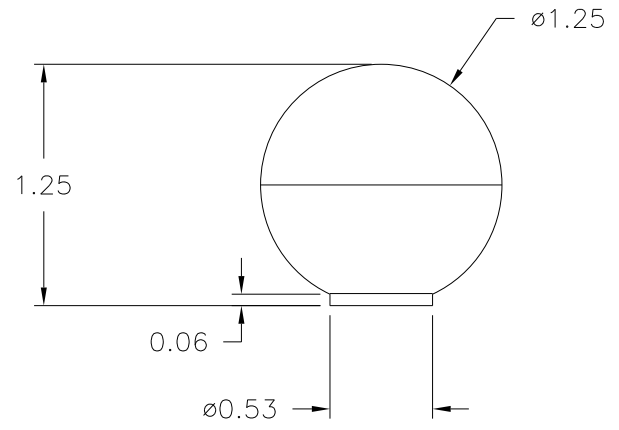
THIS DRAWING IS THE PROPERTY OF DAVIES MOLDING COMPANY, IS SUBMITTED SOLELY AS A DESIGN OR ENGINEERING PROJECT. WE ACCEPT NO RESPONSIBILITY WHATSOEVER FOR THE PRACTICAL APPLICATION OF THE PIECES MADE TO THIS DESIGN.



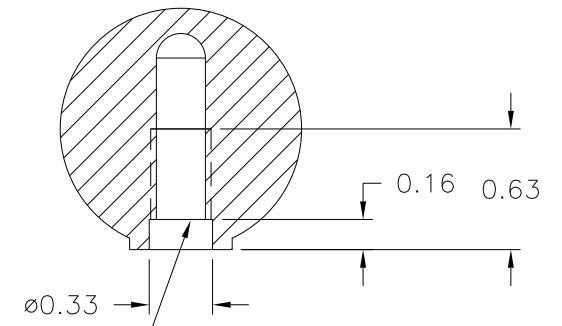
DESIGNERS & MANUFACTURERS OF KNOBS, HANDLES, CASES & CUSTOM PLASTIC COMPONENTS

P/N 0025-C
BASE PART 0025-09

(B)



5/16-24 MOLDED THREAD- ROTARY ONLY (A)
5/16-24 TAPPED THREAD-SEMI-AUTO



MATERIAL: G.P. PHENOLIC (B11)
COLOR: BLACK

TOLERANCES: UNLESS OTHERWISE SPECIFIED	DO NOT SCALE DRAWING			
DECIMALS: X.XXX ± .005 X.XX ± .015	MM: X.XX ± 0.15MM X.X ± 0.4MM	B	ADDED BASE PART	JAM 2/21/14
		A	Was TAPPED THD.	MH 11/30/98
FRACTIONS ± 1/64	ANG. ± 1°	CHANGES		