

PART NUMBER
123-0701-801

REV	ECO	DATE
1	INITIAL RELEASE	16JUL2021

NOTES:

1. MATERIAL AND FINISH:

- 1.1 BODY: BERYLLIUM COPPER, GOLD PLATE
- 1.2 CONTACT: BERYLLIUM COPPER, GOLD PLATE
- 1.3 LOCK RING: STAINLESS STEEL, GOLD PLATE
- 1.4 INSULATOR: PTFE

2. ELECTRICAL SPECIFICATIONS:

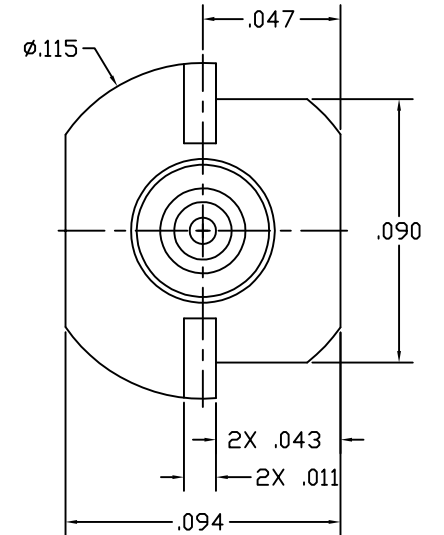
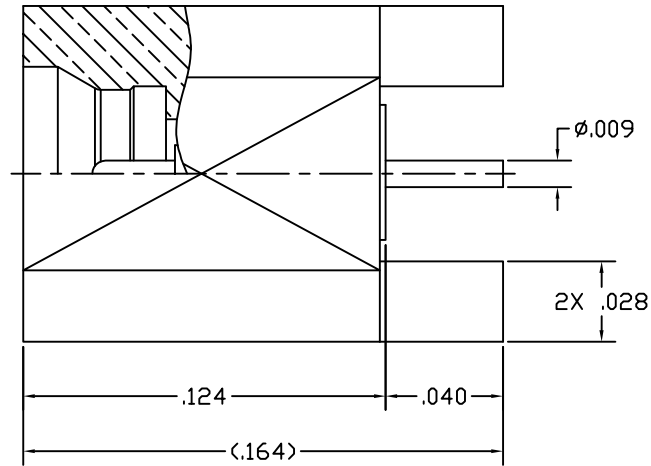
- 2.1 IMPEDANCE: 50 OHMS NOMINAL
- 2.2 FREQUENCY RANGE: DC~50 GHz
- 2.3 VSWR: 1.5 MAX
- 2.4 DIELECTRIC WITHSTANDING VOLTAGE: 250 VRMS MIN
- 2.5 INSULATION RESISTANCE: 3500 MEGOHM MIN
- 2.6 CONTACT RESISTANCE:
 - 2.6.1 CENTER CONTACT - 6.0 MILLIOHM MAX
 - 2.6.2 OUTER CONDUCTOR - 2.0 MILLIOHM MAX


3. MECHANICAL SPECIFICATIONS:

- 3.1 ENGAGEMENT FORCE: 2.5 LBS MAX
- 3.2 DISENGAGEMENT FORCE: 4.5 LBS MAX
- 3.3 DURABILITY: 100 CYCLES MIN

4. ENVIRONMENTAL:

- 4.1 THERMAL SHOCK: MIL-STD-202, METHOD 107, CONDITION B
- 4.2 OPERATING TEMPERATURE: -65°C TO 165°C
- 4.3 MECHANICAL SHOCK: MIL-STD-202, METHOD 213, CONDITION I
- 4.4 VIBRATION: MIL-STD-202, METHOD 204, CONDITION D
- 4.5 CORROSION: MIL-STD-202, METHOD 101, CONDITION B



 <p>This PROPRIETARY Document is property of Cinch Connectivity Solutions. It is confidential in nature, non-transferable, and issued with the clear understanding that it is not traced or copied without permission and is retrievable upon demand.</p> <p>INTERPRET DRAWING IN ACCORDANCE WITH ASME Y14.5-2009.</p>	Model No: 123-0701-801/810	JOHNSON		
	RoHS (EU)/2015/863 COMPLIANT	Cage Code	Title: SMP3 PLUG FULL DETENT SMT END LAUNCH	
	UNLESS OTHERWISE SPECIFIED UNITS: INCH	3RD ANGLE PROJECTION	Drawing No. 123-0701-801/810	REV. 1
	.XXX ± .008 .XXXX ± .004 ANGLES ± 5°	Drawn by: TOMMY REN Date: 07/16/2021	Size B	DO NOT SCALE DRAWING
		Workmanship: NONE	Sheet 1 OF 1	