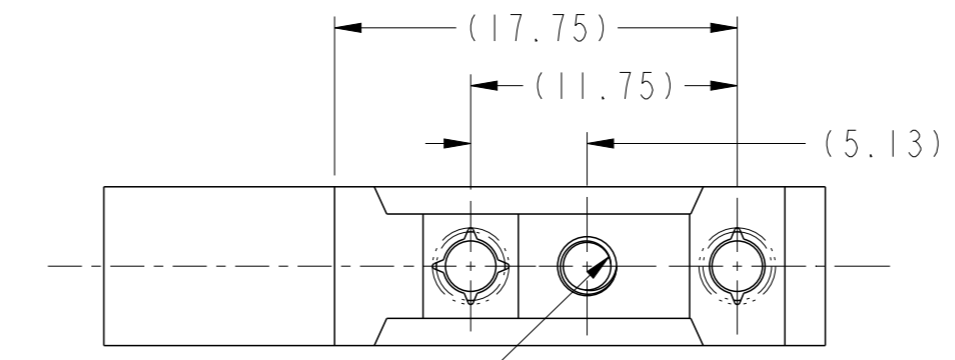
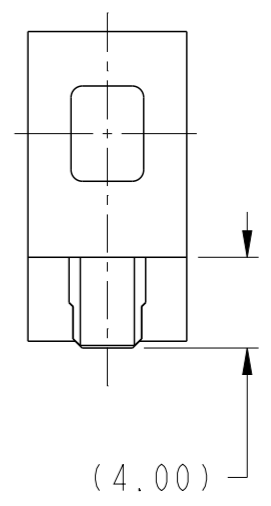
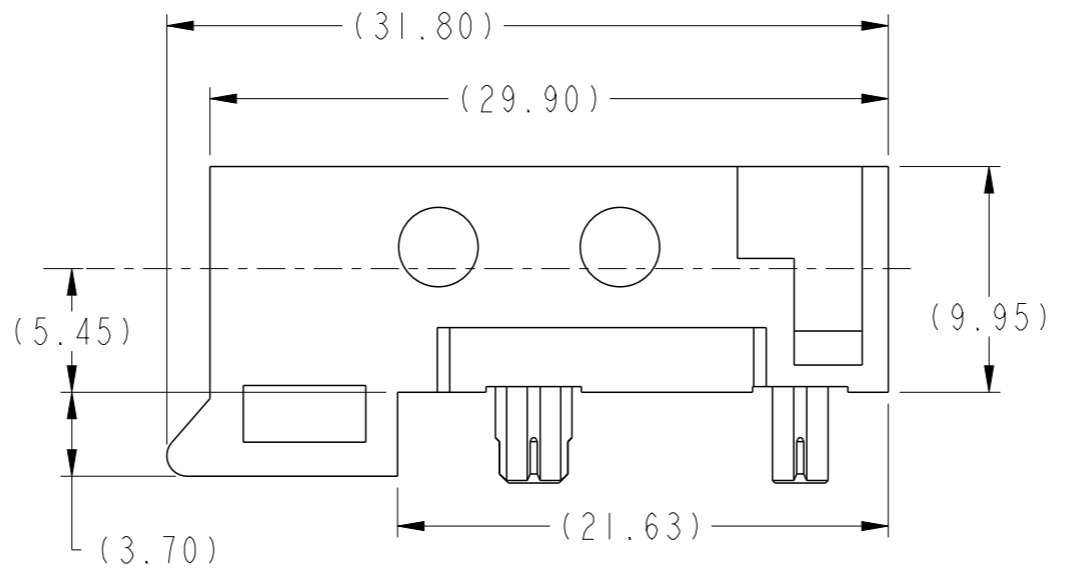
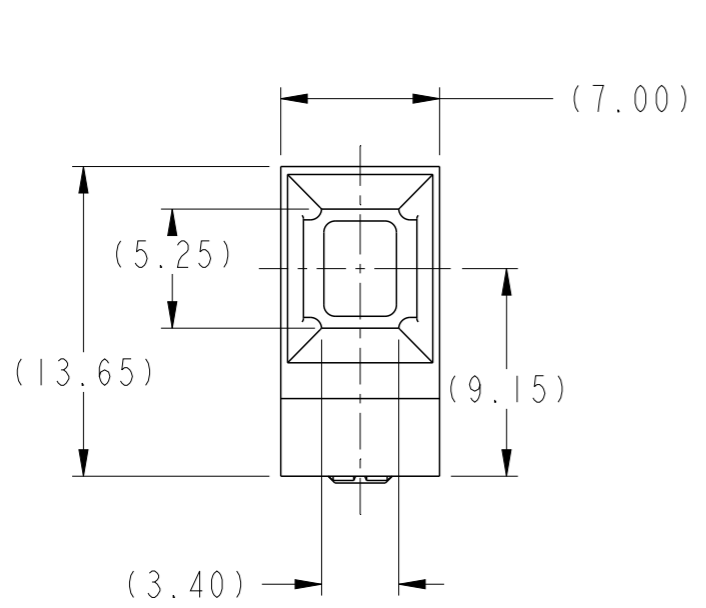


PRODUCT NUMBER
SEE TABLE, SHT 2



M3 x 0.5-6H
x 3.0 DEEP
(0.3 x 45° CHAMFER)

Amphenol
FCi

© 2016 AFCI

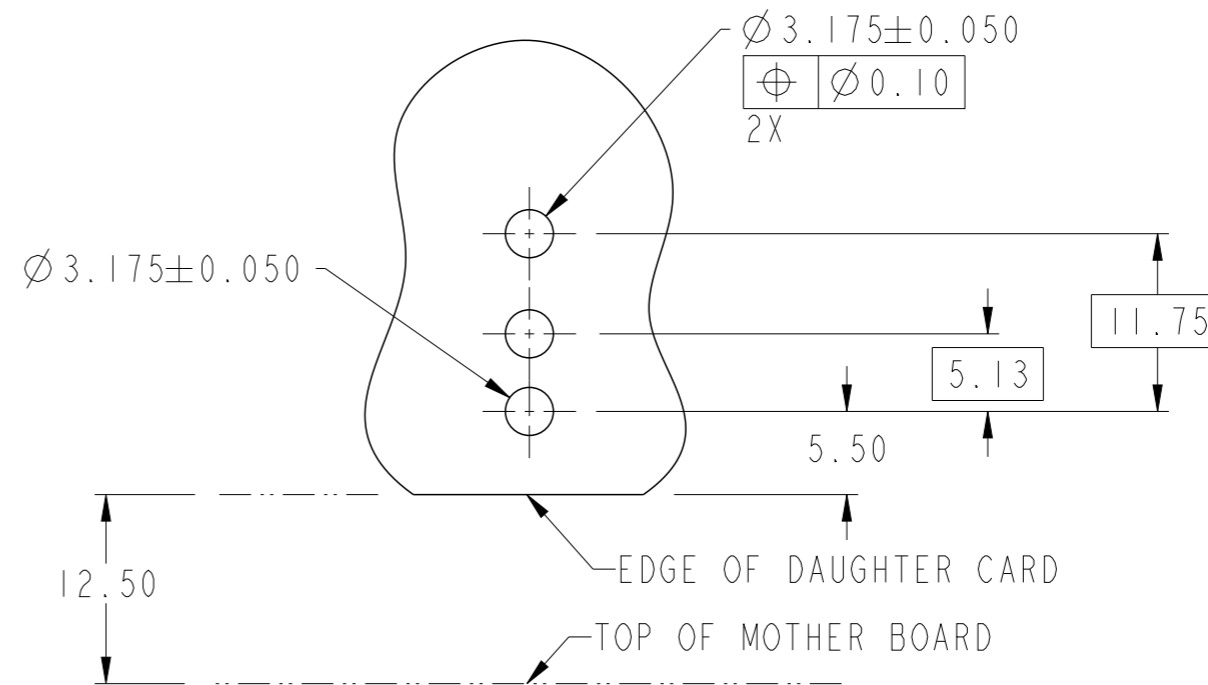
| | | | | | | | | | | | | |
|---------------|---------------------------------------|------|---------------|---|------------|----|------------------------|----------------|----------------|--------------------|-----|---|
| spec ref | - | dr | Chen-Hong Tan | 2005/08/18 | projection | MM | size | A3 | scale | 3:1 | | |
| tolerance std | ASME Y14.5 | eng | Terry Luo | 2019/04/24 | | | ecn no | ELX-DG-33324-1 | | | | |
| | TOLERANCES UNLESS OTHERWISE SPECIFIED | chr | - | apppr | | | Heaven Cen | 2019/04/25 | product family | AirMax ACCESSORIES | | |
| surface | linear | 0.X | ±0.3 | Amphenol FCI 7.2MM R/A GUIDE SOCKET 2/3 PAIR cat. no. - | | | rel level | Released | | | | |
| | | 0.XX | ±0.10 | | | | dwg no | 10045367 | | | rev | E |
| | angular | 0° | ±2° | | | | Product - Customer Drw | sheet 1 of 2 | | | | |

PRODUCT NUMBER

10045367-101LF

NOTES:

- ① MATERIAL: ZINC ALLOY.
- ② FINISH: TRIVALENT CHROMATE IRIDESCENT
- ③ APPLICATION SPECIFICATION: GS-20-045.
- ④ REFER TO CUSTOMER DRAWING 10035911 FOR INFORMATION REGARDING PCB LAYOUT OF POWER AND GUIDE MODULES RELATIVE TO SIGNAL MODULES.
- 5 THIS PRODUCT MEETS EUROPEAN UNION DIRECTIVES AND OTHER COUNTRY REGULATIONS AS DESCRIBED IN GS-22-008.
- 6 PACKAGING MEETS GS-14-920 LEAD FREE LABELING SPECIFICATION.



RECOMMENDED PCB LAYOUT

NOTE 4
SCALE: 2:1

Amphenol
FCi

© 2016 AFCI

| | | | | | | | | | | |
|---------------------------------------|------------|------|---------------|------------|------------------------|----|------------------------|--------------------|----------|-----------|
| spec ref | - | dr | Chen-Hong Tan | 2005/08/18 | projection | MM | size | A3 | scale | 1:1 |
| tolerance std | ASME Y14.5 | eng | Terry Luo | 2019/04/24 | | | ecn no | ELX-DG-33324-1 | | |
| TOLERANCES UNLESS OTHERWISE SPECIFIED | | chr | - | - | | | product family | AirMax ACCESSORIES | | rel level |
| surface | linear | appr | Heaven Cen | 2019/04/25 | 7.2MM R/A GUIDE SOCKET | | | dwg no | 10045367 | |
| | | | | | 2/3 PAIR | | | rev | E | |
| ASME Y14.5 | angular | | | | cat. no. | - | Product - Customer Drw | sheet 2 of 2 | | |