

1612435-4 ✓ ACTIVE



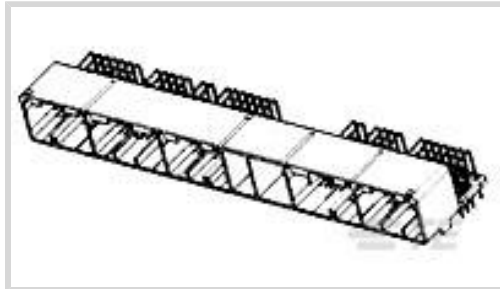
TH/.025 Connector System

TE Internal #: 1612435-4

PCB Mount Header, Right Angle, Wire-to-Board, 167 Position, 2.2 mm / 3.2 mm [.126 in / .087 in] Centerline, Fully Shrouded, TH/.025 Connector System

[View on TE.com >](#)

Connectors > PCB Connectors > PCB Headers & Receptacles > High Pin Count Header



Connector System: **Wire-to-Board**

Number of Positions: **167**

Centerline (Pitch): **2.2 mm, 3.2 mm [.087 in, .126 in]**

Sealable: **No**

PCB Mount Orientation: **Right Angle**

[All High Pin Count Header \(154\)](#)

Features

Product Type Features

Hybrid Header	No
PCB Connector Assembly Type	PCB Mount Header
Header Type	Fully Shrouded
Connector System	Wire-to-Board
Sealable	No
Connector & Contact Terminates To	Printed Circuit Board

Configuration Features

Number of Sections	5
Number of Signal Positions	167
Number of Positions	167
PCB Mount Orientation	Right Angle
Number of Rows	4

Electrical Characteristics

Voltage Rating (Max)	12 VDC
Nominal Voltage Architecture	12 V
Operating Voltage	12 VDC

Body Features



Primary Product Color	Natural
-----------------------	---------

Contact Features

Contact Type	Tab
Mating Tab Width	.63 mm, 1 mm [.025 in] [.039 in]
Mating Tab Thickness	.63 mm [.025 in]
Contact Mating Area Plating Material	Gold (Au), Tin (Sn)

Termination Features

Termination Method to Printed Circuit Board	Through Hole - Screw
---	----------------------

Mechanical Attachment

Mounting Holes	With
Mating Retention	With
Mating Alignment	With
PCB Mount Alignment	With
Panel Mount Feature	Without
PCB Mount Retention	With
Mating Retention Type	Locking Interface
Connector Mounting Type	Board Mount

Housing Features

Centerline (Pitch)	2.2 mm, 3.2 mm [.087 in] [.126 in]
--------------------	------------------------------------

Dimensions

Connector Length	36.85 mm [1.451 in]
Connector Width	138.8 mm [5.465 in]
PCB Thickness (Recommended)	1.2 – 1.6 mm [.047 – .063 in]
Profile Height from PCB	22.7 mm [.894 in]

Usage Conditions

Operating Temperature (Max)	105 °C [221 °F]
Operating Temperature Range	-30 – 105 °C [-22 – 221 °F]

Operation/Application

Shielded	No
----------	----

Packaging Features

Packaging Type	Tube
----------------	------



Packaging Quantity 3

Product Compliance

[For compliance documentation, visit the product page on TE.com>](#)

EU RoHS Directive 2011/65/EU	Compliant
EU ELV Directive 2000/53/EC	Compliant
China RoHS 2 Directive MIIT Order No 32, 2016	No Restricted Materials Above Threshold
EU REACH Regulation (EC) No. 1907/2006	Current ECHA Candidate List: JUNE 2023 (235) Candidate List Declared Against: JAN 2023 (233) Does not contain REACH SVHC
Halogen Content	Low Halogen - Br, Cl, F, I < 900 ppm per homogenous material. Also BFR/CFR/PVC Free
Solder Process Capability	Wave solder capable to 240°C

Product Compliance Disclaimer

This information is provided based on reasonable inquiry of our suppliers and represents our current actual knowledge based on the information they provided. This information is subject to change. The part numbers that TE has identified as EU RoHS compliant have a maximum concentration of 0.1% by weight in homogenous materials for lead, hexavalent chromium, mercury, PBB, PBDE, DBP, BBP, DEHP, DIBP, and 0.01% for cadmium, or qualify for an exemption to these limits as defined in the Annexes of Directive 2011/65/EU (RoHS2). Finished electrical and electronic equipment products will be CE marked as required by Directive 2011/65/EU. Components may not be CE marked. Additionally, the part numbers that TE has identified as EU ELV compliant have a maximum concentration of 0.1% by weight in homogenous materials for lead, hexavalent chromium, and mercury, and 0.01% for cadmium, or qualify for an exemption to these limits as defined in the Annexes of Directive 2000/53/EC (ELV). Regarding the REACH Regulation, the information TE provides on SVHC in articles for this part number is based on the latest European Chemicals Agency (ECHA) 'Guidance on requirements for substances in articles' posted at this URL: <https://echa.europa.eu/guidance-documents/guidance-on-reach>

Compatible Parts



Also in the Series | [TH/.025 Connector System](#)



Automotive Connector Caps & Covers (6)



Automotive Housings(223)



Automotive Terminals(26)



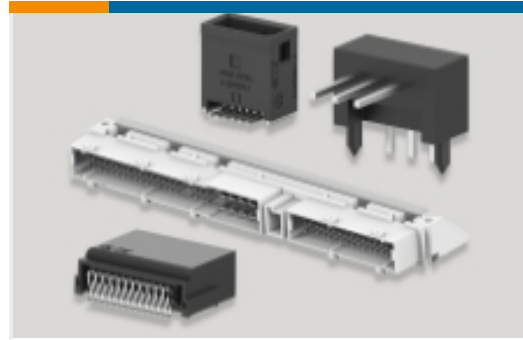
Connector Seals & Cavity Plugs(2)



Insertion & Extraction Tools(4)

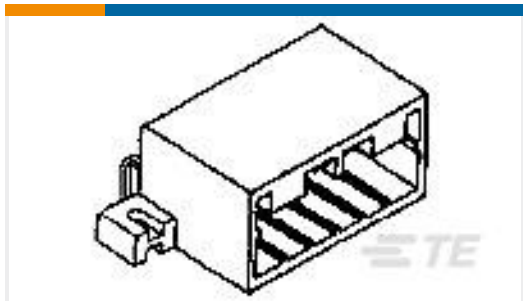


Other Automotive Connector Accessories(5)

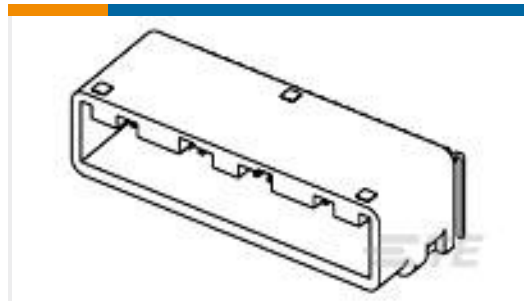


PCB Headers & Receptacles(163)

Customers Also Bought



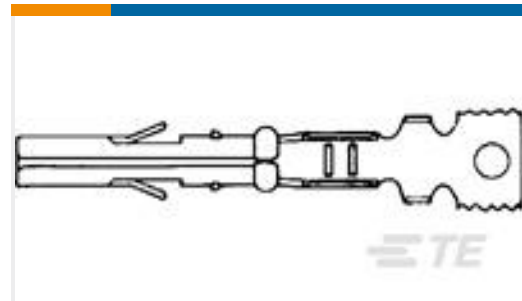
TE Part #175783-1
070 MLC CAP H ASSY SGL 6P NAT.



TE Part #1318384-2
025 I/O CAP HSG ASSY 40P



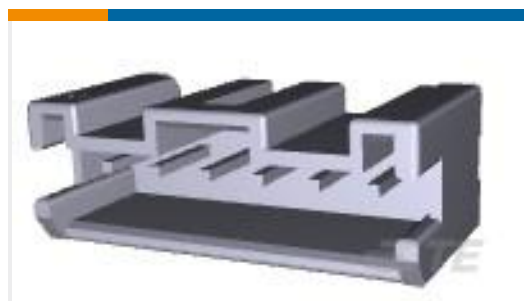
TE Part #1903814-1
INDUSTRIAL USB REC ASSY R/A 1ROW



TE Part #794000-1
MR RECEPTACLE PTPPHBZ



TE Part #2-6437285-9
SUPERSEAL Connector Headers: 1.0 mm



TE Part #1376478-6
2.5MM SIGNAL MATE CONN HEADER



TE Part #3-1554809-3
RITS CONN. PLUG ASSY 3P ORANGE COVER



TE Part #3-175636-8
1.25FP,R08,SL,B,N,TR

Documents

Product Drawings

[025/040 167POS CAP ASSY](#)

Japanese

CAD Files

Customer View Model

[ENG_CVM_CVM_1612435-4_C.2d_dxf.zip](#)

English

[3D PDF](#)



3D

Customer View Model

[ENG_CVM_CVM_1612435-4_C.3d_igs.zip](#)

English

Customer View Model

[ENG_CVM_CVM_1612435-4_C.3d_stp.zip](#)

English

By downloading the CAD file I accept and agree to the [Terms and Conditions](#) of use.

Product Specifications

[Application Specification](#)

Japanese

[Crimping .040III Unsealed Contact, Receptacle](#)

Japanese

[Crimping of 025 Receptacle Contact](#)

Japanese

[Application Specification](#)

Japanese

[Application Specification](#)

Japanese

[Crimping .040III Unsealed Contact, Receptacle](#)

Japanese

Instruction Sheets

[Instruction Sheet \(non U.S.\)](#)

Japanese

[025/040 I/O Connector](#)

Japanese