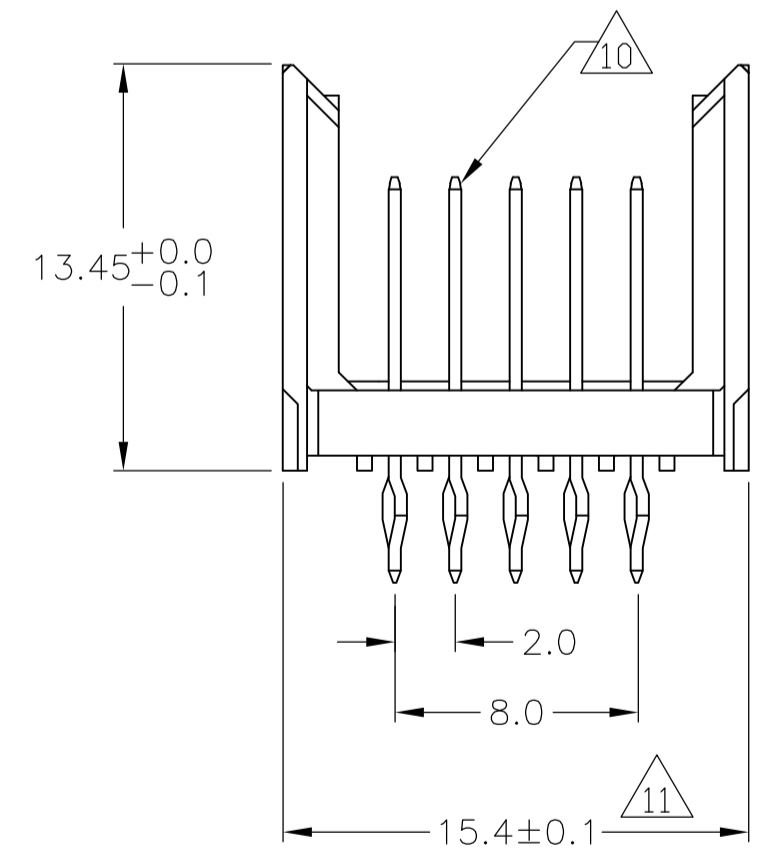
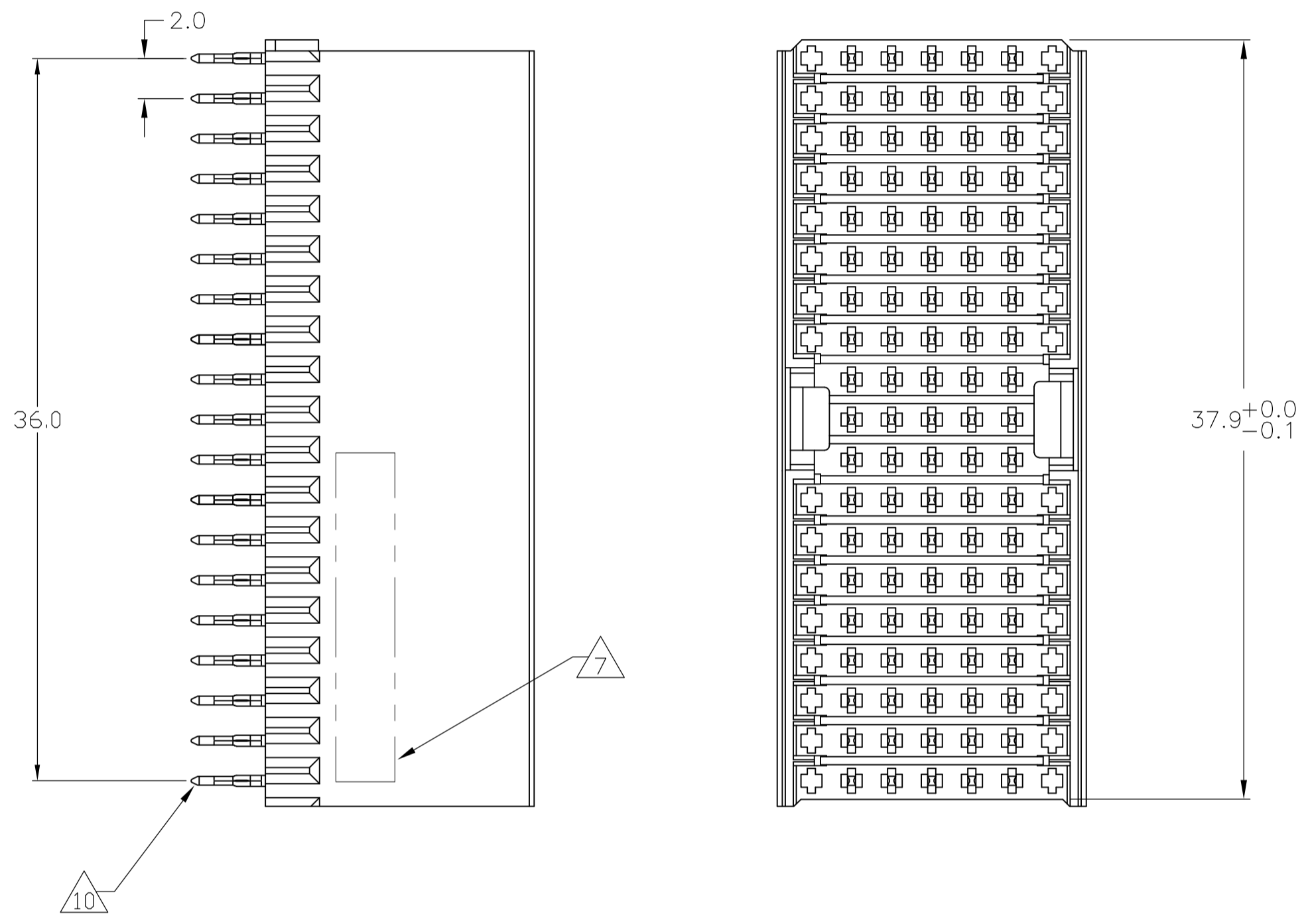
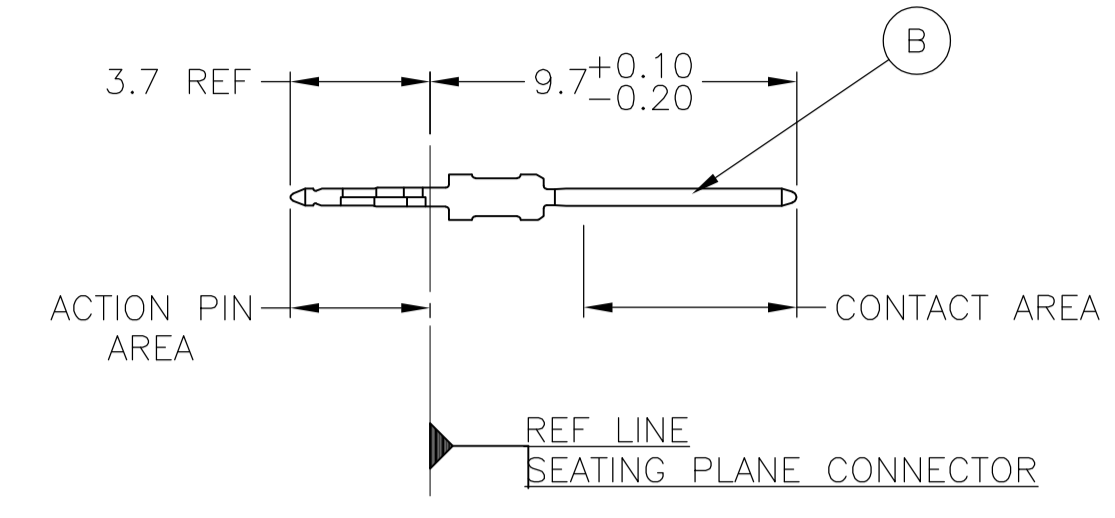


LOC		DIST		REVISIONS			
AD	00	REV	DATE	BY	CHK	APPV	
A		RELEASED	06NOV2006	BC	GG		
B		ECR-10-019054	15SEP10	DP	MQW		

CONNECTOR ASSEMBLY
 EXAMPLARY LOADED



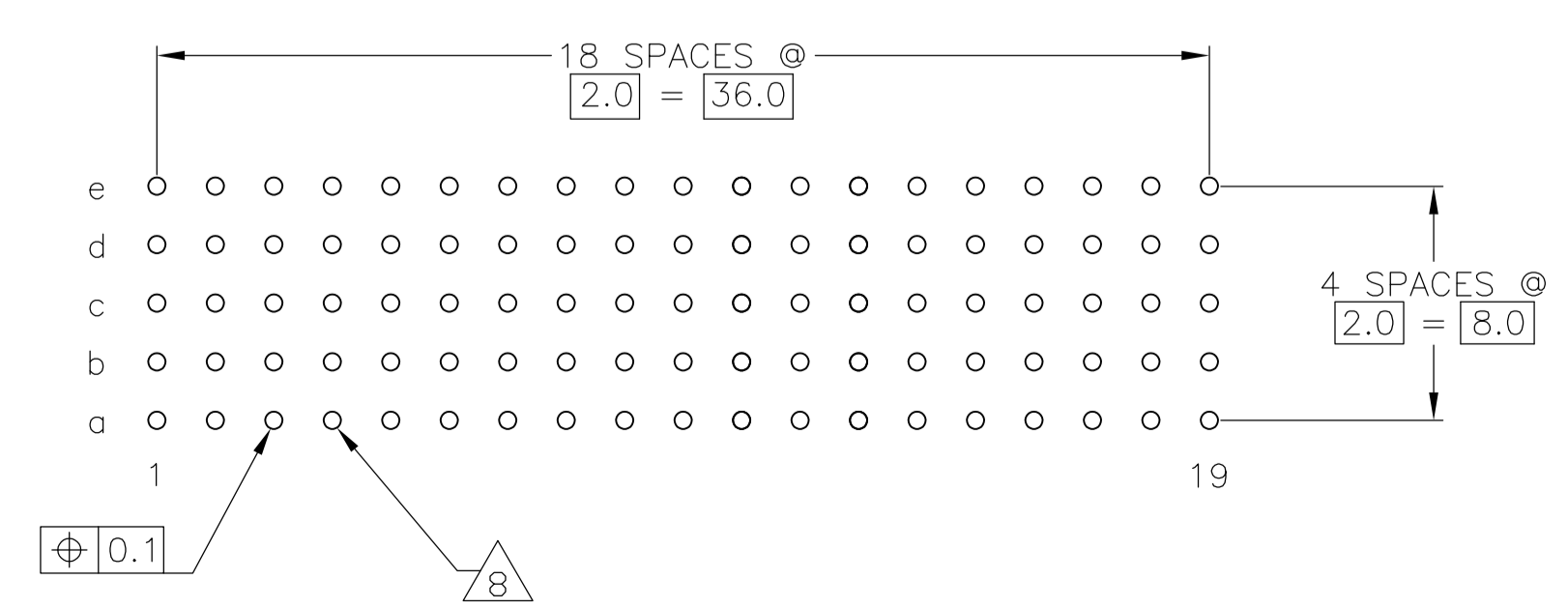
CONTACT DIMENSIONS
 SCALE 5:1



CONTACT LAYOUT

	z	a	b	c	d	e	f
1		B	B	B	B	B	
2		B	B	B	B	B	
3		B	B	B	B	B	
4		B	B	B	B	B	
5		B	B	B	B	B	
6		B	B	B	B	B	
7		B	B	B	B	B	
8		B	B	B	B	B	
9		B	B	B	B	B	
10		B	B	B	B	B	
11		B	B	B	B	B	
12		B	B	B	B	B	
13		B	B	B	B	B	
14		B	B	B	B	B	
15		B	B	B	B	B	
16		B	B	B	B	B	
17		B	B	B	B	B	
18		B	B	B	B	B	
19		B	B	B	B	B	

RECOMMENDED PCB-HOLE LAYOUT
 COMPONENT SIDE SHOWN



PLATED THRU HOLES PARAMETERS
 REFERENCE APPLICATION SPECIFICATION

2 6 12	1-6392271-9
2 5 12	6392271-9
2 4	6392271-4
2 3	6392271-1
FINISH	PART NUMBER

THIS DRAWING IS A CONTROLLED DOCUMENT.

DIMENSIONS: mm	TOLERANCES UNLESS OTHERWISE SPECIFIED:	DIN B. CARBO 06NOV2006	APV G. GRIFFITH 06NOV2006	Tyco Electronics Corporation Harrisburg, Pa 17105-3608
0-PLG ±	1-PLG ±0.1	APV G. GRIFFITH 06NOV2006	NAME	MALE ASSEMBLY, Z-PACK 2mm HM, TYPE A/B
2-PLG ±	3-PLG ±	APV G. GRIFFITH 06NOV2006	PRODUCT SPEC	108-19082
4-PLG ±	ANGLES	APV G. GRIFFITH 06NOV2006	APPLICATION SPEC	114-19029
MATERIAL	FINISH SEE TABLE	WEIGHT	SIZE CAGE CODE DRAWING NO	RESTRICTED TO
1			A1 00779 C=6392271	
CUSTOMER DRAWING			SCALE 4:1	SHEET 1 OF 2 REV B

LOC	DIST	REVISIONS			
P	LTR	DESCRIPTION	DATE	DN	APVD
AD	00	SEE SHEET 1	-	-	-

- 1 MATERIAL:
CONTACT: PHOSPHOR BRONZE.
HOUSING: GLASS-FILLED POLYESTER.
- 2 GENERAL PLATING SPECIFICATION: UNDERPLATING
(ENTIRE CONTACT): 1.27µm MIN NICKEL AND ACTION
PIN: 0.5µm MIN TIN.
FOR PLATING OF MATING SURFACES SEE APPLICABLE
SPECIFICATION REFERENCE FOR EACH DASH NUMBER.
- 3 CONFORMS TO ALL TESTING ACCORDING TO IEC 61076-4-101
PERFORMANCE LEVEL 2.
- 4 CONFORMS TO ALL TESTING ACCORDING TO IEC 61076-4-101
PERFORMANCE LEVEL 1.
- 5 CONNECTOR TESTED AND QUALIFIED AGAINST TELCORDIA GR-1217-CORE QUALITY LEVEL 3,
CENTRAL OFFICE APPLICATIONS.
- 6 CONNECTOR TESTED AND QUALIFIED AGAINST TELCORDIA GR-1217-CORE QUALITY LEVEL 3,
UNCONTROLLED ENVIROMENT APPLICATIONS.
- 7 CONNECTOR MARKED WITH PART NUMBER AND DATE CODE.
ADDITIONAL CHARACTERS OR MARKINGS, AS WELL AS THE LOCATION OF THE MARKINGS,
MAY BE ADDED FOR TRACEABILITY BASED UPON MANUFACTURERS DISCRETION.
- 8 PLATED-THROUGH HOLES AT 2x2mm SQUARE GRID
PATTERN DEFINED BY CONTACT LAYOUT.
- 9 FOR ACTUAL PIN LOADING SEE "CONTACT LAYOUT".
- 10 FOR ACTUAL PIN DIMENSIONS SEE "CONTACT DIMENSIONS".
- 11 TO BE MEASURED AT BOTTOM OF SHROUD.
- 12 CONNECTOR LUBRICATED WITH BELCORE APPROVED LUBRICANT,
TECHNICAL REFERENCE: TR-NWT-001217 ISSUE 1, SEP 1992.

THIS DRAWING IS A CONTROLLED DOCUMENT.		DIN E CARBO 06NOV2006	Tyco Electronics Corporation Harrisburg, Pa 17105-3608	
DIMENSIONS: mm		CHK G.GRIFFITH 06NOV2006	NAME MALE ASSEMBLY, Z-PACK 2mm HM, TYPE A/B	
TOLERANCES UNLESS OTHERWISE SPECIFIED: 0-PLG ± 1-PLG ±0.1 2-PLG ± 3-PLG ± 4-PLG ± ANGLES ±		APVD G.GRIFFITH 06NOV2006	PRODUCT SPEC 108-19082	
MATERIAL SEE SHEET 1		APPLICATION SPEC 114-19029	SIZE A1	RESTRICTED TO -
FINISH SEE SHEET 1		WEIGHT -	CAGE CODE 00779	DRAWING NO 6392271
		CUSTOMER DRAWING		SCALE 4:1 SHEET 2 OF 2 REV B