



Series 154 Yellow Streak Jumpers on 0.100 [2.54] Centers

FEATURES

- Maintain 0.100 [2.54] Conductor Spacing with Pitch Bars

GENERAL SPECIFICATIONS

- PITCH BAR: Black UL 94V-0 glass-filled 4/6 Nylon
- CABLE INSULATION: UL Style 1061 Polyvinyl Chloride (PVC), semi-rigid
- LAMINATE: Clear PVC, Self-extinguishing
- CONDUCTORS: 24-AWG, tinned, solid Cu
- CABLE CURRENT RATING: 1 amp at 10°C [50°F] above ambient
- CABLE VOLTAGE RATING: 300V
- CABLE TEMPERATURE RATING: 176°F [80°C]

MOUNTING CONSIDERATIONS

- SUGGESTED PCB HOLE SIZE: 0.033 ± 0.002 [0.86 ± 0.05] dia.



ORDERING INFORMATION

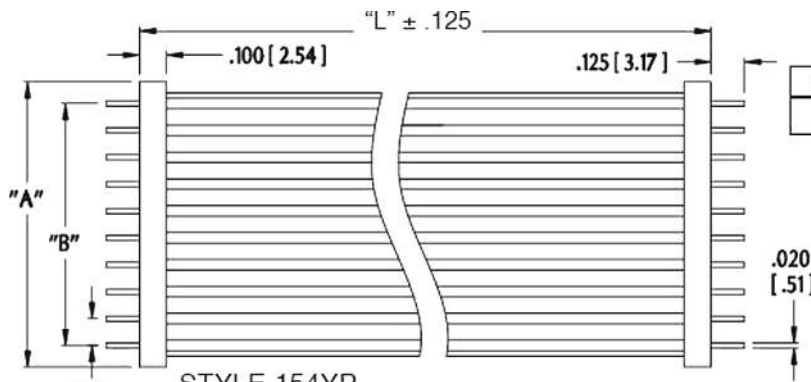
XX-XXXX-XXXX

Series
 154YS = Without Pitch Bars
 154YP = With Pitch Bars

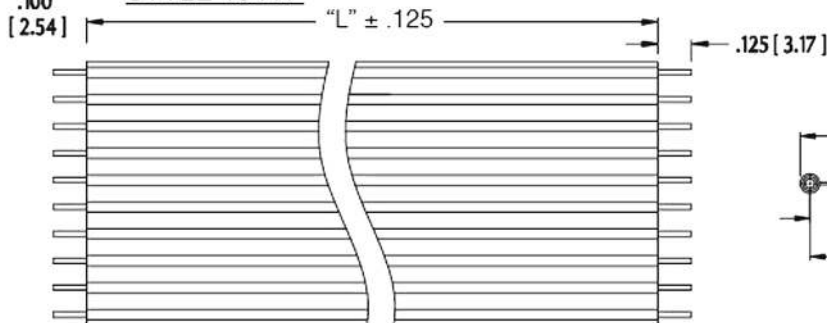
Length "L" (inches)
 2.00" = 002 (min)
 2.50" = 002.5
 3.00" = 003
 Etc.

No. of Conductors
 (4 thru 22)

No. of Conductors	Minimum Insulation Length
4 thru 22	2.0" [50.8]

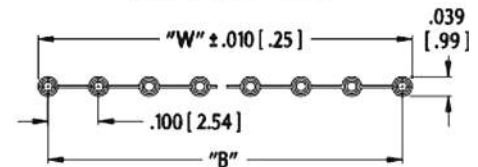


STYLE 154YP



STYLE 154YS

CABLE DETAIL



ALL DIMENSIONS: INCHES [MILLIMETERS]
 ALL TOLERANCES: ±0.005 [0.13] UNLESS OTHERWISE SPECIFIED
 NOT TO BE USED FOR HIGH-FLEX APPLICATIONS
 FOR HIGH-FLEX APPLICATIONS, SEE DATA SHEETS 11005 & 11014
 CONSULT FACTORY FOR OTHER SIZES AND CONFIGURATIONS

CUSTOMIZATION: ARIES SPECIALIZES IN CUSTOM DESIGN AND PRODUCTION. SPECIAL MATERIALS, PLATINGS, SIZES, AND CONFIGURATIONS CAN BE FURNISHED, DEPENDING ON QUANTITY.

ARIES RESERVES THE RIGHT TO CHANGE PRODUCT GENERAL SPECIFICATIONS WITHOUT NOTICE

PRINTOUTS OF THIS DOCUMENT MAY BE OUT-OF-DATE AND SHOULD BE CONSIDERED UNCONTROLLED



ARIES
 ELECTRONICS, INC.

2609 Bartram Road • Bristol, PA 19007-6810 USA
 TEL 215-781-9956 • FAX 215-781-9845
 WWW.ARIESELEC.COM • INFO@ARIESELEC.COM



11015
 Rev. 5.5
 1 of 1