



- Quasi-absolute LCD display, 14 mm height
- Max. display accuracy 0,01 mm or 1/64 inch
- Actual value memory
- Linear & Angular display mode
- Compact OEM version without housing
- Reading distance sensor/tape up to 1 mm
- RS232 interface (optional)



LD141

## PARAMETERS

3 offset values, Preset value, Linear and angular display mode, mm & fractional inch display, Relative/absolute measurement

## ENVIRONMENTAL SPECIFICATIONS

Operating temperature range:	0°C to +50°C (+32°F to +122°F)
Storage temperature range:	-20°C to +80°C (-4°F to +176°F)
Protection:	IP00 (or depending on customers assembly)

## MECHANICAL SPECIFICATIONS

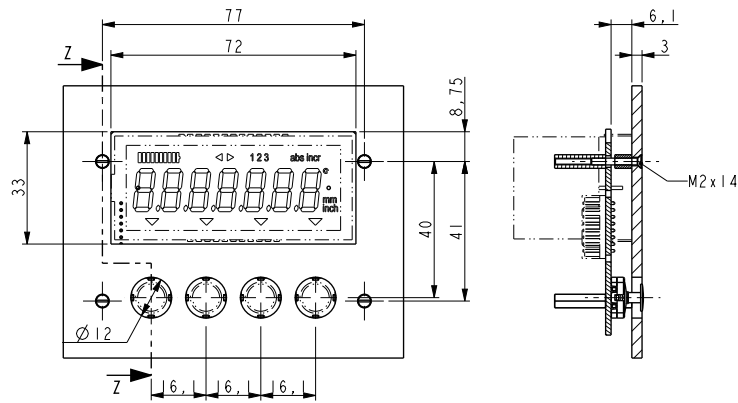
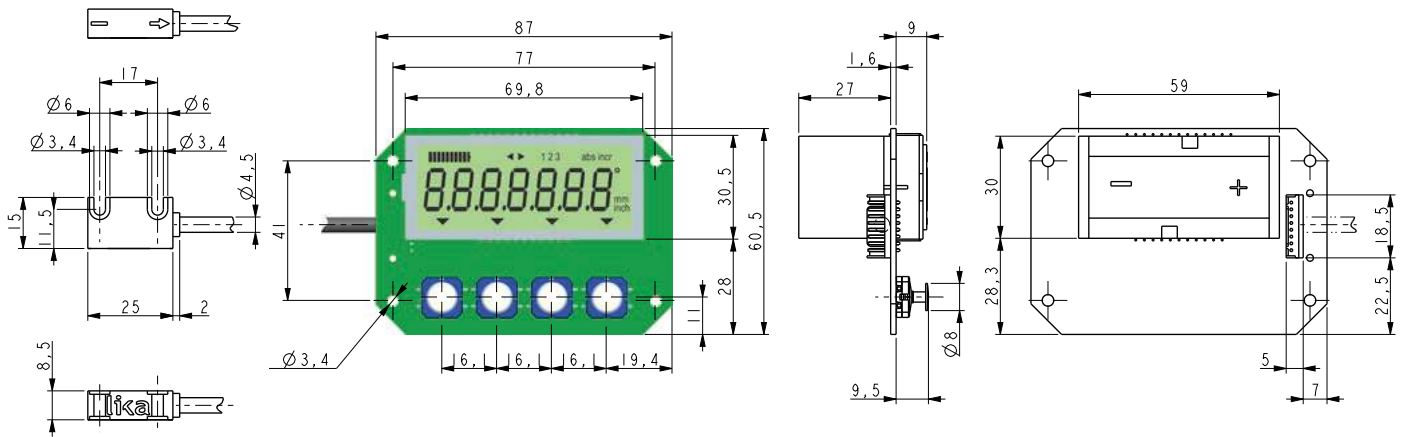
Display resolution:	max. 0,01 mm or 1/64 inch
System accuracy:	± 0,05 mm typ.
Repeat accuracy:	± 1 digit
Display range:	-999999 to 999999
Measurement speed:	max. 5 m/s
Magnetic sensor:	SM25
Reading distance sensor/tape:	0,1 - 1,0 mm
Dimensions:	see drawing
Connections:	Battery holder (AAA type) Cable (sensor) DSub 9 pin (RS232)

## ELECTRICAL SPECIFICATIONS

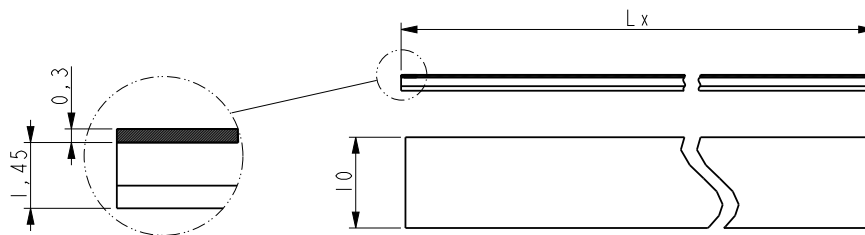
Power supply:	Integrated batteries (2 x 1,5V)
Consumption:	~ 700 µA
Interface:	RS232 (optional)

## ACCESSORIES

MT25:	Magnetic tape
-------	---------------



LD141



MT25

Order code - Display

LD141	-	XX	X	XX	-	XX
		(a)	(b)	(c)		(d)

Order code - Tape

MT25	-	XX	-	XXX	-	X
		(a)		(b)		(c)

- |  |   |                                    |
|--|---|------------------------------------|
| <b>(a) INPUT</b><br>M7 = magnetic sensor | <b>(c) CABLE LENGTH</b><br>0,2 = cable 0,2 meters<br>1 = cable 1 meter<br>X = cable X meters<br>(5 meters max.) | <b>(d) INTERFACE</b><br>I1 = RS232 |
| <b>(b) SENSOR</b><br>R = rectangular     |   |                                    |

- |   |   |  |
|---|---|--|
| <b>(a) LENGTH</b><br>1 = 1,0 m<br>2 = 2,0 m<br>4 = 4,0 m<br>10 = 10,0 m<br>20 = 20,0 m<br>30 = 30,0 m | <b>(b) ACCURACY CLASS</b><br>100 = ± 85 µm/m<br>50 = ± 35 µm/m (up to 30 m) | <b>(c) COVER STRIP</b><br>1 = included |
|---|---|--|