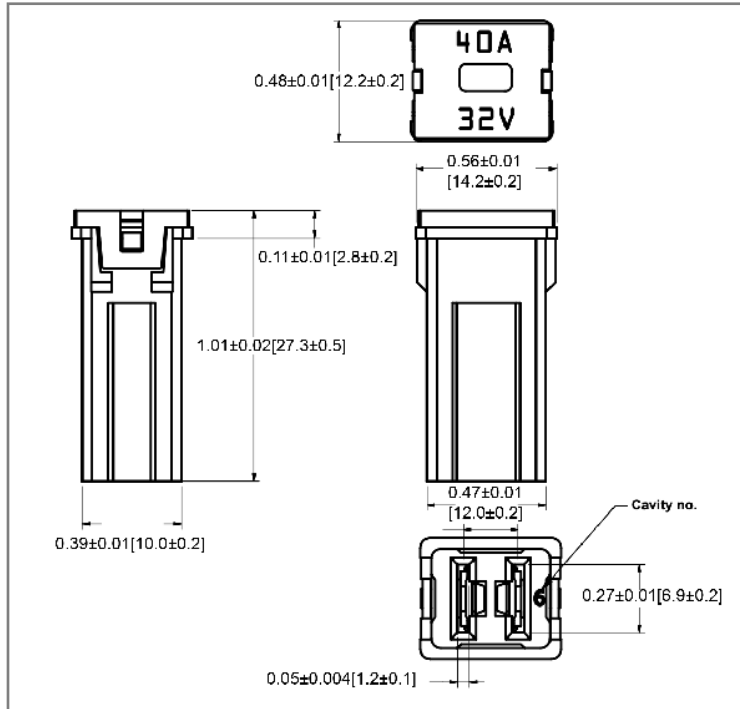
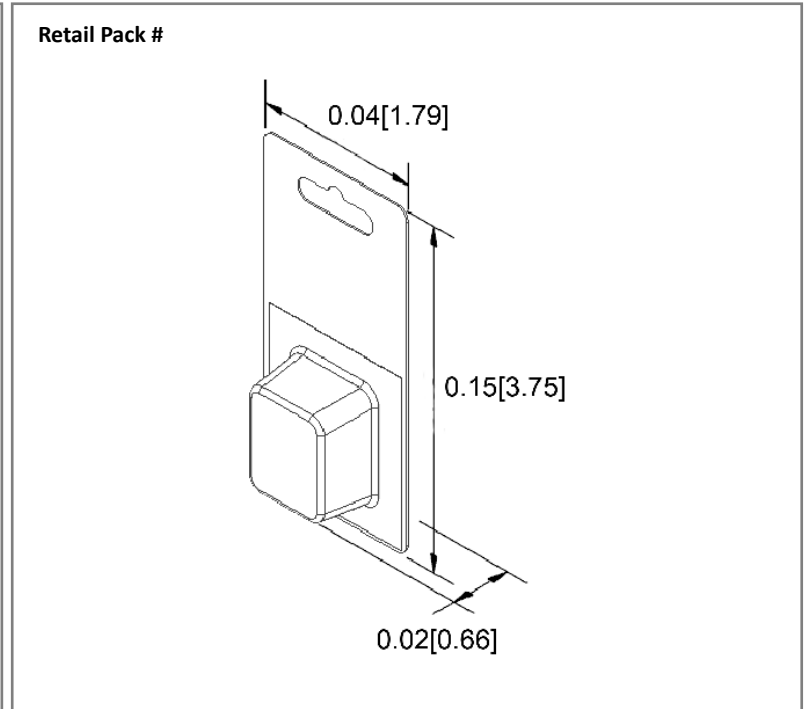


Mechanical Dimensions: Inches [mm]



Retail Pack: Inches [mm]



Part Numbers Information

Amperage	Body Color	Bulk Part #	Retail Pack # Blister Card	Pack Size
20A	Light Blue	FMX-20A	FMX-20A-BP	1
30A	Pink	FMX-30A	FMX-30A-BP	1
40A	Green	FMX-40A	FMX-40A-BP	1
50A	Red	FMX-50A	FMX-50A-BP	1
60A	Yellow	FMX-60A	FMX-60A-BP	1

Electrical Specifications

Voltage Rating	32V DC
Interrupting Rating	1000A @ 32 VDC
Testing	ISO 8820-4

Time vs. Percent of Rated Current

% of Rated Current	Min Hold Time	Max Hold Time
110%	14.400s	-
200%	2s	60s
350%	0.2s	7s
600%	0.04s	1s

Rev	Date of issue	Revision Notes	Designed	Approved
C	05-22-2023	Initial Drawing	RC	OF