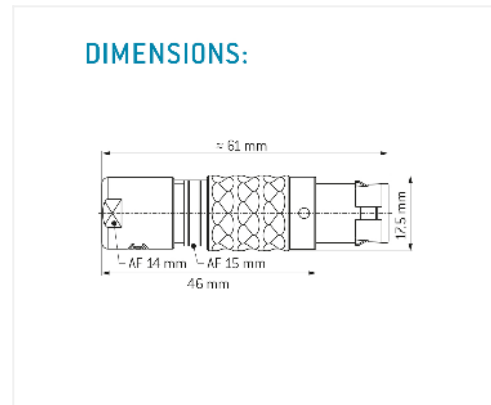
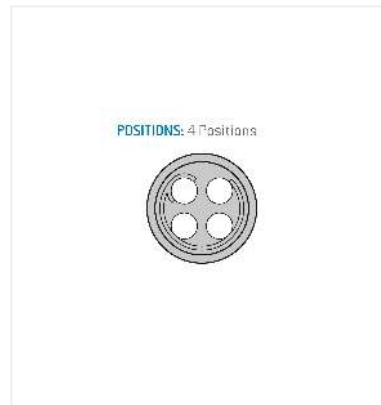


## General information

Part number	S13LOC-P04MTSO-8200
Termination	solder
Size	3
Locking principle	push
Coding	0_key
Cable Diameter	cable_mini_B2
Cable outlet	standard



## Contact insert description

Number of contacts	4
Contact type	pins
Contact diameter	20mm
Insulator material	peek
Wire cross section	12_awg
Termination	solder
Termination diameter	24mm

reverse\_gender\_on\_request

## Technical information

Max. creepage and air clearance distance	14_mm	12_mm
Nominal current single contact	24_a	iec_60512_5_2
Nominal current insert	24A	vde_0298_4
Test voltage	165_kv_ac	sae_13441

safety\_text

## Mechanical and environmental data

Degree of protection*	ip50
Operating temperature	40_120_c
Mating cycles	5000

mated\_unmated

## Material and surface treatments

Housing	m_chrome
Contact	cu_alloy_gold

safety\_text\_2  
ul\_text  
illustrative\_text