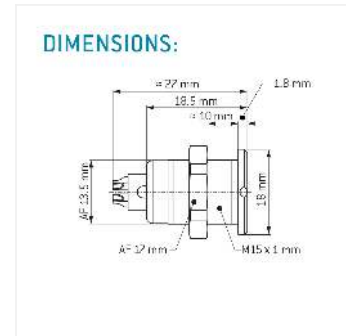
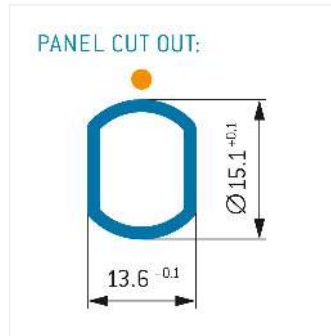
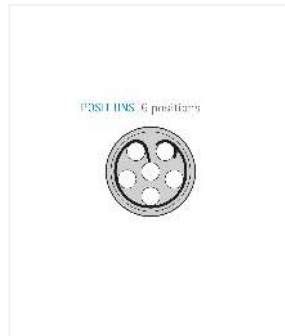
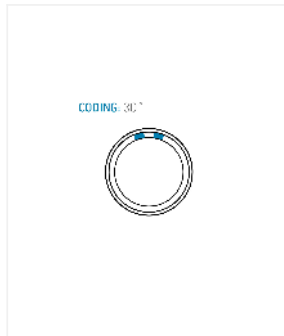


# G12LAC-P06NPL0-0000 series\_l, type\_g1



## General information

Part number	G12LAC-P06NPL0-0000
Termination	crimp
Size	2
Locking principle	break , push
Coding	a_key



## Contact insert description

Number of contacts	6
Contact type	sockets
Contact diameter	13mm
Insulator material	peek
Wire cross section	18-20_awg
Termination	crimp

reverse\_gender\_on\_request

## Technical information

Max. creepage and air clearance distance	08_mm	10_mm
Nominal current single contact	15_a	iec_60512_5_2
Nominal current insert	11,25 A	vde_0298_4
Test voltage	11_kv_ac	sae_13441

safety\_text

## Mechanical and environmental data

Degree of protection*	ip50
Operating temperature	40_120_c
Mating cycles	5000

mated\_unmated

## Material and surface treatments

<b>Housing</b>	m_chrome
<b>Contact</b>	cu_alloy_gold

safety\_text\_2  
ul\_text  
illustrative\_text