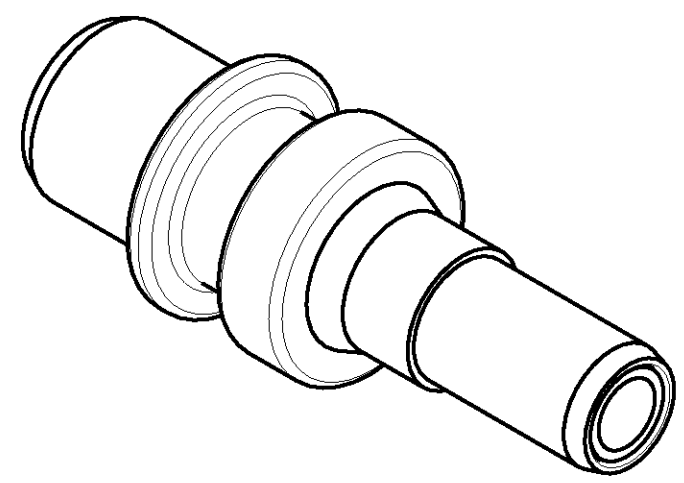
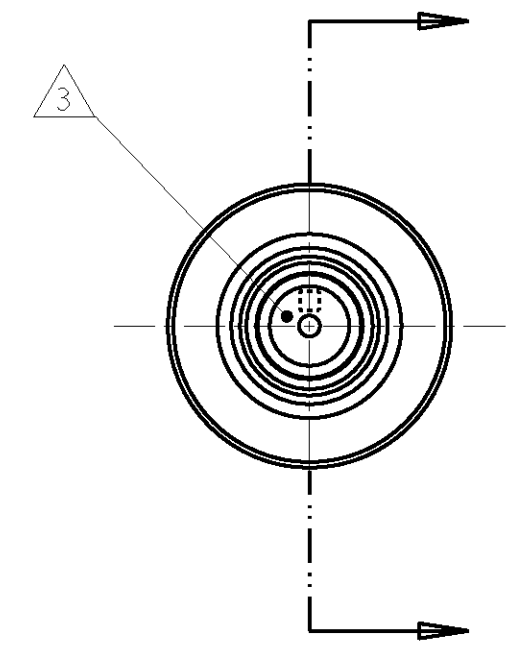
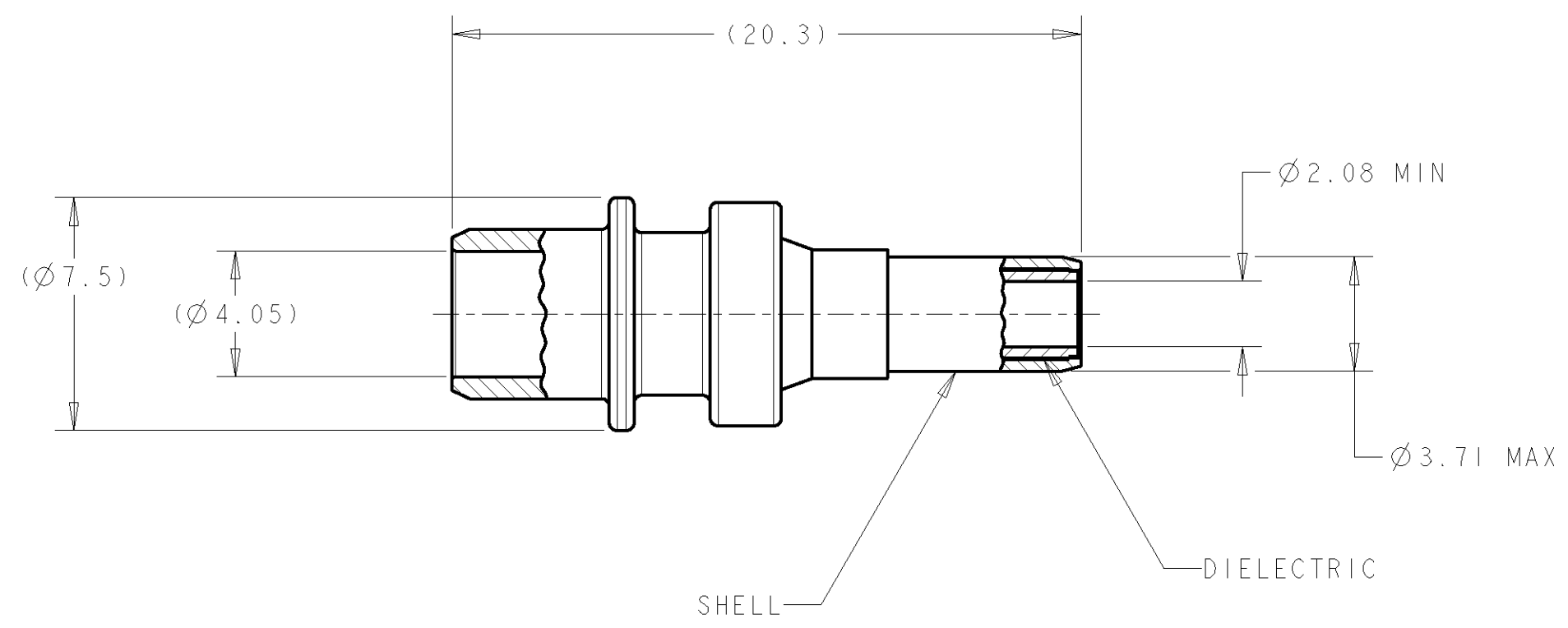


THIS DRAWING IS UNPUBLISHED. RELEASED FOR PUBLICATION 20
 © COPYRIGHT 20 BY TYCO ELECTRONICS CORPORATION. ALL RIGHTS RESERVED.

LOC	DIST	REVISIONS			
P	LTR	DESCRIPTION	DATE	DWN	APVD
IN	00	A	INITIAL RELEASE	05JAN2006	DJH JWH
		B	REVISED PER ECR 06-023043	06OCT2006	DLD LLV

- 1 SHELL: ZINC.
DIELECTRIC: POLYESTER PBT, CURRY.
- 2 SHELL: 2.0µm MIN TIN OVER 1.25µm MIN NICKEL, BOTH OVER 5.08µm MIN COPPER.
- 3 JACK SUBASSEMBLY INTERFACE PER DIN 72594-1,
ROAD VEHICLES - RADIO FREQUENCY INTERFACE - DIMENSIONS AND ELECTRICAL REQUIREMENTS.
- 4. SEE INSTRUCTION SHEET 408-10028.



ISOMETRIC VIEW

1438889-1
PART NUMBER

<small>THIS DRAWING IS A CONTROLLED DOCUMENT FOR TYCO ELECTRONICS CORPORATION IT IS SUBJECT TO CHANGE AND THE CONTROLLING ENGINEERING ORGANIZATION SHOULD BE CONTACTED FOR THE LATEST REVISION.</small>		DWN D. J. HARDY 05JAN2006	tyco Electronics Tyco Electronics Harrisburg, PA 17105-3608	
DIMENSIONS: mm		CHK J. W. HALL 05JAN2006	NAME JACK SUBASSEMBLY, RG-59, RG-62, RG-62U/M, RG-71 OR RG-71U/M, SMB	
TOLERANCES UNLESS OTHERWISE SPECIFIED: 0 PLC ±- 1 PLC ±- 2 PLC ±- 3 PLC ±- 4 PLC ±- ANGLES ±-		APVD J. W. HALL 05JAN2006	DRAWING NO 1438889	
MATERIAL - 1		PRODUCT SPEC -	SIZE A3	RESTRICTED TO -
FINISH - 2		APPLICATION SPEC 114-13157	CAGE CODE 00779	SCALE 5:1
		WEIGHT -	DRAWING NO 1438889	SHEET 1
		CUSTOMER DRAWING	REV B	OF 1