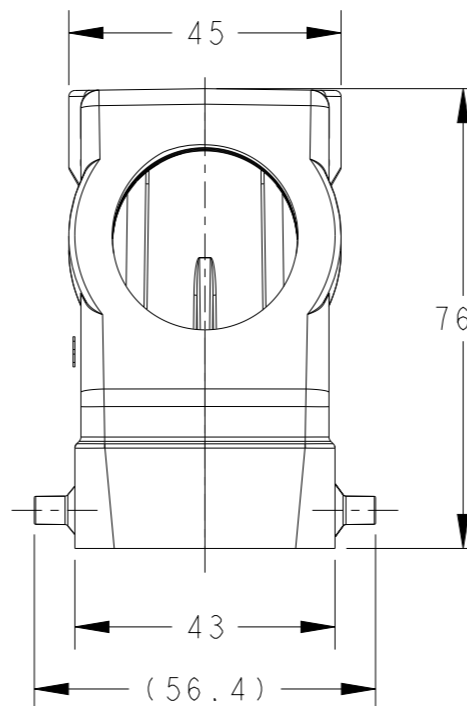
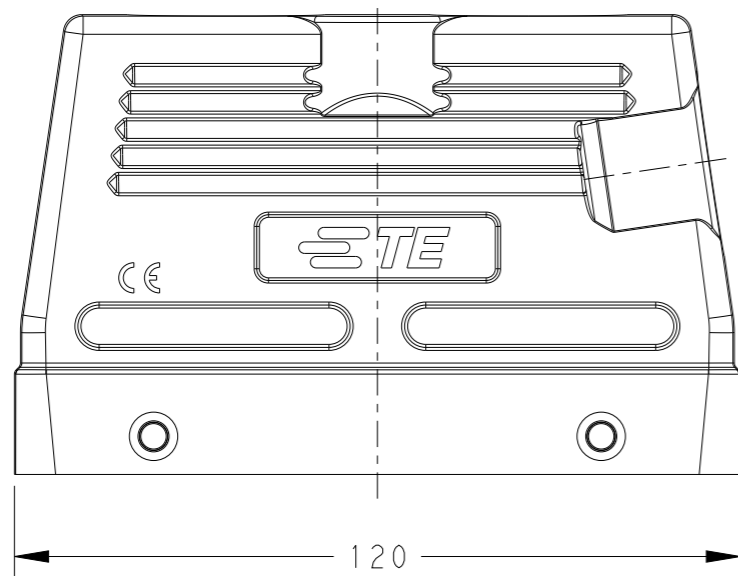
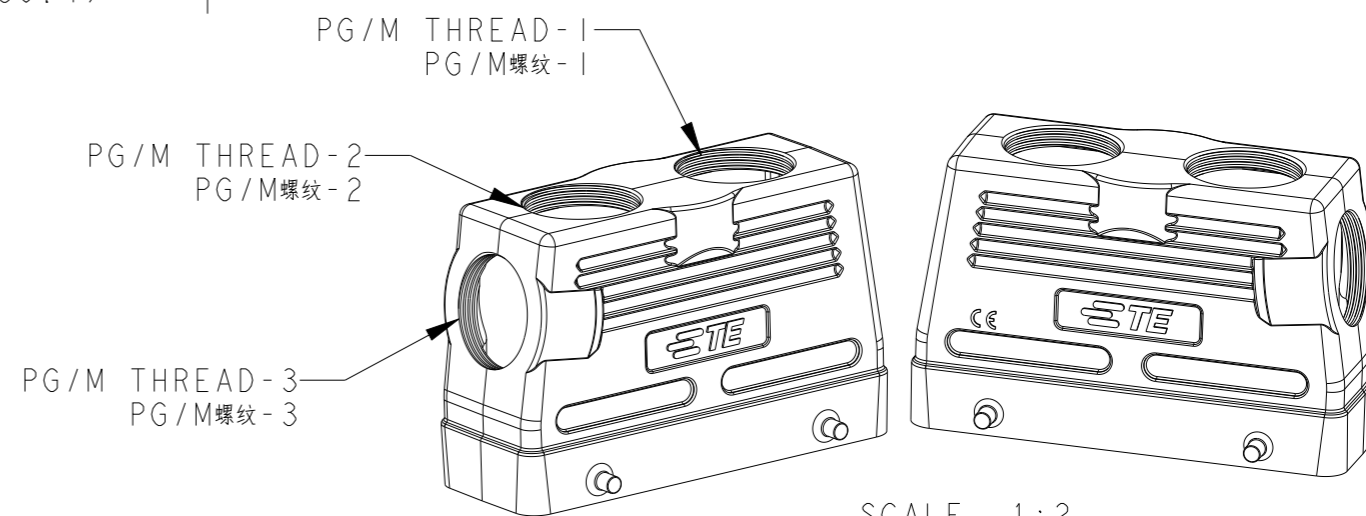
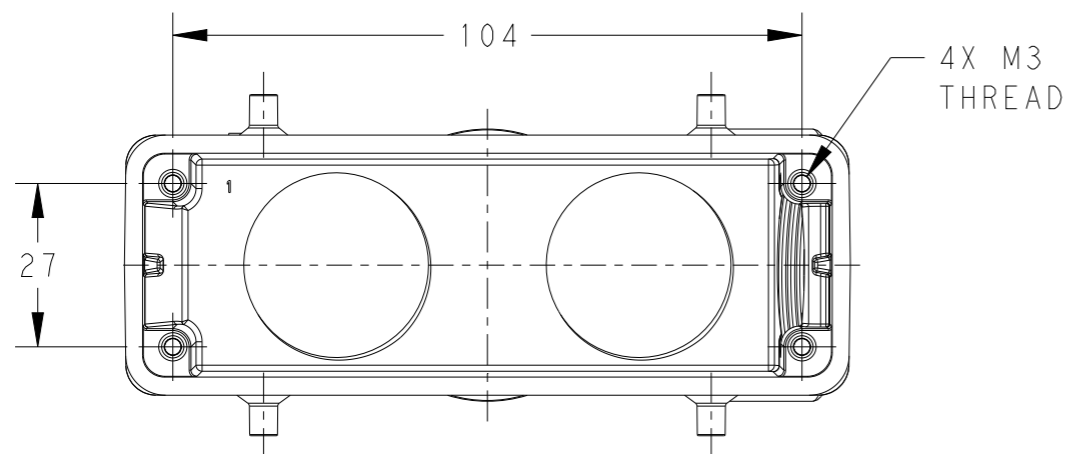


P	LTR	DESCRIPTION	DATE	DWN	APVD
	A	INITIAL	01JUN2015	DW	CW
	A1	ECR-16-001431	31JAN2016	QY	CW
	B	ECR-20-014876	22OCT2020	WQR	CW
	B1	ECR-21-108894	04AUG2021	WQR	CW



NOTES:
 1. TECHNICAL CHARACTERISTICS:
 HOOD MATERIAL: DIE CAST ALUMINIUM ALLOY
 SURFACE: POWDER COATED, GREY
 DEGREE OF PROTECTION: IP65 (MATED)

注释:
 1. 技术参数:
 上壳材料: 铝合金
 表面处理: 粉末涂层, 灰色
 防护等级: IP65(配合)



SCALE 1:2

T1190240232-320	H24B-TGH/TSH-2M32/M32 H24B上壳 顶出2M32, 侧出M32, 4耳, 高结构	M32	M32	M32	HIGH CONSTRUCTION 高结构
T1190242032-000	H24B-TGH/TSH-2M32/M20 H24B上壳 顶出2M32, 侧出M20, 4耳, 高结构	M32	M32	M20	
T1190241632-000	H24B-TGH/TSH-2M32/M16 H24B上壳 顶出2M32, 侧出M16, 4耳, 高结构	M32	M32	M16	
ASSEMBLY PART NUMBER 成品料号	ASSEMBLY PART DESCRIPTION 成品描述	PG/M THREAD-1 PG/M螺纹-1	PG/M THREAD-2 PG/M螺纹-2	PG/M THREAD-3 PG/M螺纹-3	TYPE 类型

THIS DRAWING IS A CONTROLLED DOCUMENT.

DIMENSIONS:	TOLERANCES UNLESS OTHERWISE SPECIFIED:
mm	
	0 PLC ±-
	1 PLC ±-
	2 PLC ±-
	3 PLC ±-
	4 PLC ±-
	ANGLES ±-
MATERIAL	FINISH
-	-
-	-

DWN	01JUN2015
David Wang	
CHK	01JUN2015
Chris Wang	
APVD	01JUN2015
Xiang Xu	
PRODUCT SPEC	108-137013
APPLICATION SPEC	114-137013
WEIGHT	-
Customer Drawing	

STE TE Connectivity

NAME		H24B-TGH/TSH-2M/M	
SIZE	CAGE CODE	DRAWING NO	RESTRICTED TO
A3	00779	©-T119024XX32XX0	-
SCALE	SHEET	OF	REV
4:5	1	1	B1