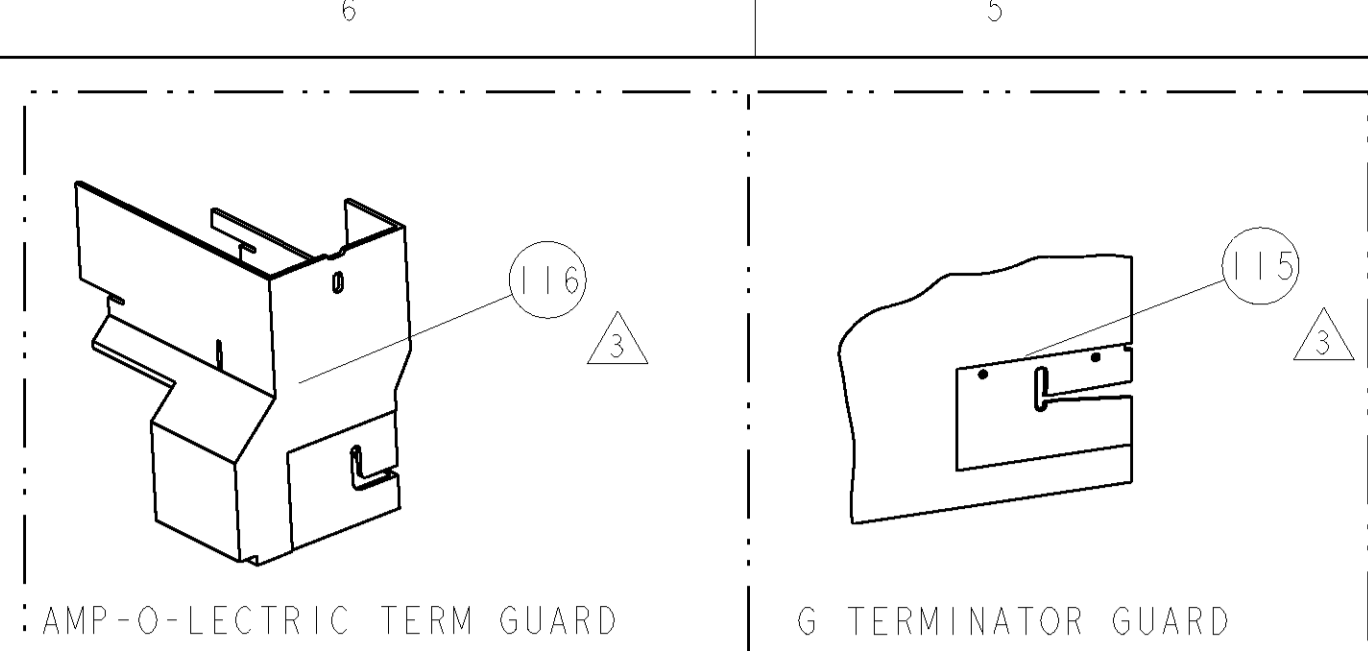


| PART NUMBER | REV | FIRST USED | POWER UNIT | FEED TYPE | DESCRIPTION |
|-------------|-----|------------|---------------|-----------|--------------------|
| 1852435-1 | A | 122500-1 | LEADMAKER | POST FEED | CUTS CARRIER |
| 1852435-2 | A | 565435-5 | BENCH MODEL K | PRE FEED | CUTS CARRIER |
| 1852435-3 | A | 354500-1 | BENCH MODEL G | PRE FEED | CUTS CARRIER |
| 1852435-6 | A | 122500-1 | LEADMAKER | POST FEED | CONTINUOUS CARRIER |
| 7-1852435-7 | A | - | - | - | SPARE PARTS |

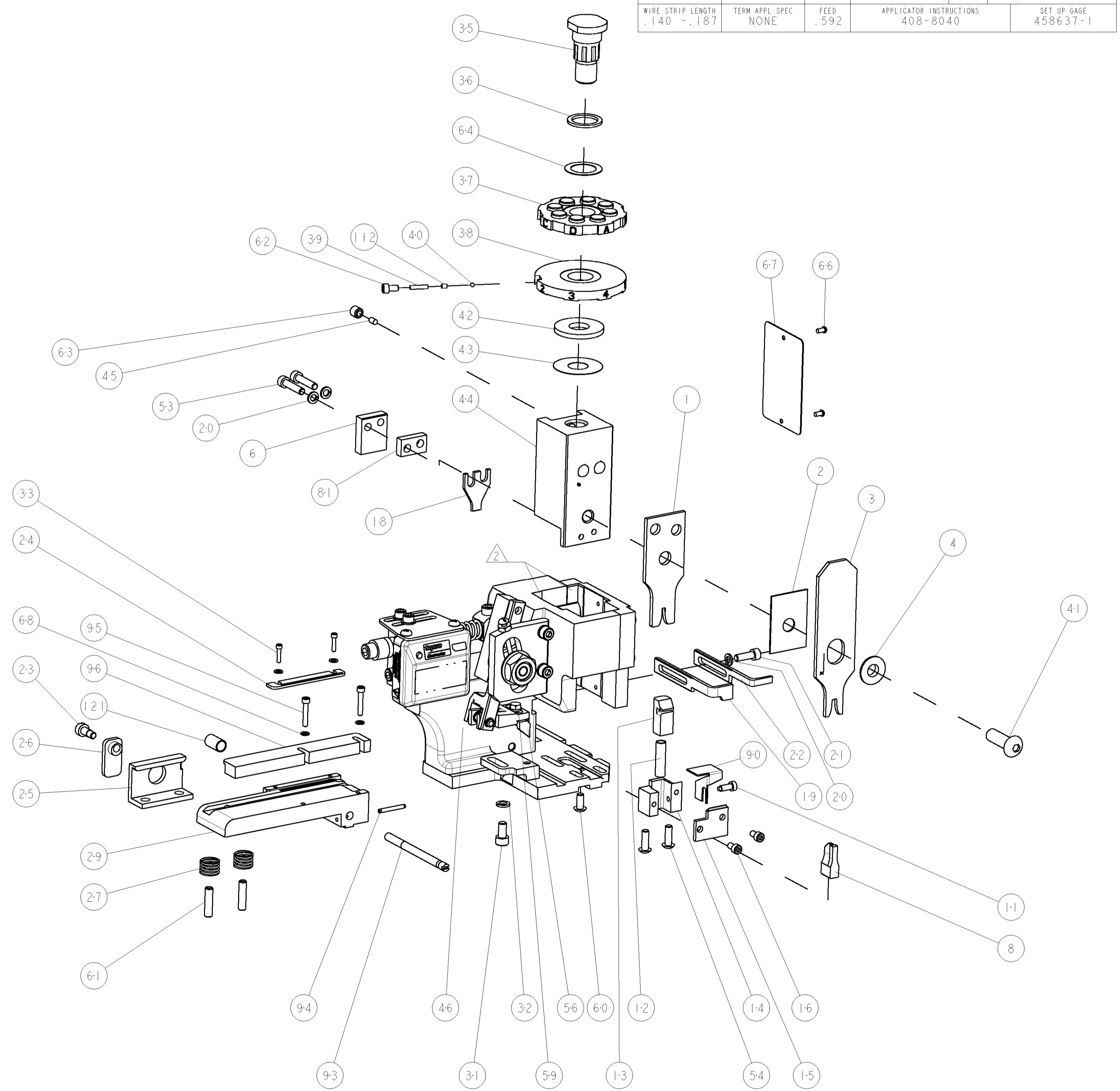
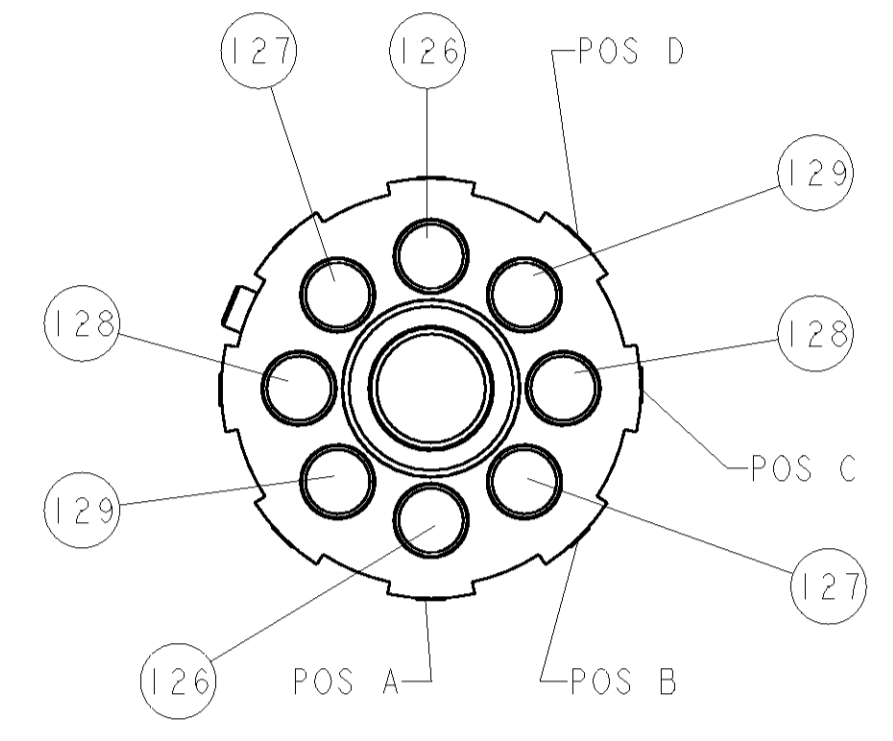


TERMINAL NAME: FLAT BLADE, SERIES 2176

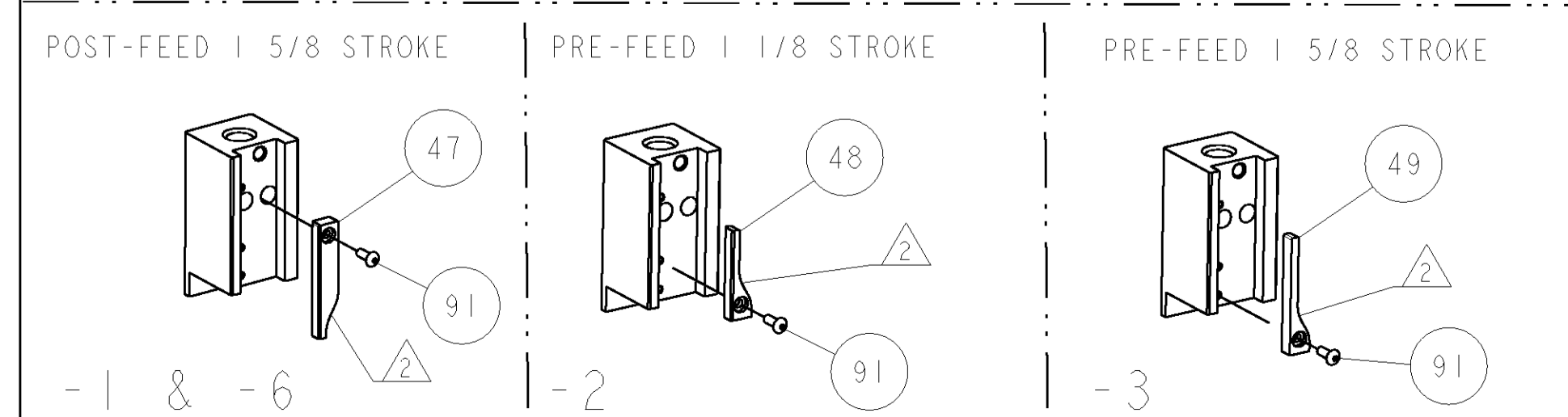
| TYCO PN | MOLEX PN | MOLEX TERMINAL - MOLEX CRIMP SPECS | | |
|-------------------|----------------|------------------------------------|-------------------------|-----------|
| 1949291 | 05-06-0301 | | | |
| | | PAD LTR | CRIMP HEIGHT | WIRE SIZE |
| | | A | .057±.001 [1.45±0.03mm] | 16AWG |
| | | B | .051±.001 [1.30±0.03mm] | 18AWG |
| | | C | .049±.001 [1.24±0.03mm] | 20AWG |
| | | D | .047±.001 [1.19±0.03mm] | 22AWG |
| | | CRIMP | SIZE | TYPE |
| | | WIRE | .080 [2.03mm] | F |
| | | INSUL | .140 [3.56mm] | F |
| | | FEED | .592 | |
| WIRE STRIP LENGTH | TERM APPL SPEC | APPLICATOR INSTRUCTIONS | SET UP GAGE | |
| .140 ± .187 | NONE | 408-8040 | 458637-1 | |

| LOC | DIST | REV | DESCRIPTION | DATE | DWN | APPR |
|-----|------|-----|-------------|-----------|-----|------|
| A | 66 | | RELEASED | 27MAR2007 | RK | GB |

- △ RECOMMENDED SPARE PARTS
- △ GREASE LIGHTLY
- △ GUARD MUST BE IN PLACE WHEN OPERATING APPLICATOR IN A BENCH MACHINE



| | | | | | | | | |
|---|---|---|---|---|-----|-------------|---------------------------------------|-----|
| - | 2 | 2 | 2 | 2 | - | 3-354779-5 | PIN, WIRE DISC, .3165 | 129 |
| - | 2 | 2 | 2 | 2 | - | 3-354779-2 | PIN, WIRE DISC, .3150 | 128 |
| - | 2 | 2 | 2 | 2 | - | 2-354779-8 | PIN, WIRE DISC, .3130 | 127 |
| - | 2 | 2 | 2 | 2 | - | 1-354779-6 | PIN, WIRE DISC, .3070 | 126 |
| - | 1 | 1 | 1 | 1 | - | 1-22281-8 | SPRING, COMPRESSION | 121 |
| - | - | - | - | - | REF | 455749-1 | GUARD WINDOW | 116 |
| - | - | - | - | - | REF | 679532-1 | INSERT, GUARD | 115 |
| - | 1 | 1 | 1 | 1 | - | 690603-1 | SPRING ASSIST AMP-O-MATOR APPLICATOR | 112 |
| - | 1 | 1 | 1 | 1 | - | 2-690487-9 | GUIDE, FRONT STRIP | 96 |
| - | 2 | 2 | 2 | 2 | - | 1-21000-6 | SCR, SKT HD CAP 4-40 X .625 | 95 |
| - | 1 | 1 | 1 | 1 | - | 4-21028-0 | PIN, SLOTTED SPRING .094 X .750 | 94 |
| - | 1 | 1 | 1 | 1 | - | 690432-3 | ADJUSTMENT SCREW | 93 |
| - | 1 | 1 | 1 | 1 | - | 1-21002-7 | SCR, BTN SKT HD CAP 6-32 X .375 | 91 |
| - | 1 | 1 | 1 | 1 | - | 691668-1 | GUARD, REAR CHIP | 90 |
| - | 1 | 1 | 1 | 1 | - | 2-240641-9 | SPACER | 81 |
| - | 1 | 1 | 1 | 1 | - | 4088040 | SF APPL INST 408-8040 | 72 |
| - | 1 | 1 | 1 | 1 | - | 217238-1 | GENERAL INSTRUCTION PKG | 71 |
| - | 4 | 4 | 4 | 4 | - | 21024-2 | WASHER, SPRG LOCK, REG NO 4 | 68 |
| - | 1 | 1 | 1 | 1 | - | 461264-1 | PLATE, IDENTIFICATION | 67 |
| - | 2 | 2 | 2 | 2 | - | 21017-2 | SCREW, DRIVE | 66 |
| - | 1 | 1 | 1 | 1 | - | 986950-1 | WASHER, FLAT PRECISION | 64 |
| - | 1 | 1 | 1 | 1 | - | 21009-2 | SCR, SET, SELF LOCKING 1/4-20 X .250 | 63 |
| - | 1 | 1 | 1 | 1 | - | 23030-1 | SCR, SKT HD CAP 6-32 X .25 | 62 |
| - | 2 | 2 | 2 | 2 | - | 5-21006-6 | SCR, SET, CUP POINT 10-32 X .750 | 61 |
| - | 1 | 1 | 1 | 1 | - | 22733-8 | SCR, BHSC, SELF-LOCKING, 8-32 X .375 | 60 |
| - | 1 | 1 | 1 | 1 | - | 2-22603-0 | SCREW, MACH, HEX HD, 8-32 X .312 | 59 |
| - | 1 | 1 | 1 | 1 | - | 694433-2 | FEED PAWL | 56 |
| - | 2 | 2 | 2 | 2 | - | 2-21002-2 | SCR, BTN SKT HD CAP 8-32 X .500 | 54 |
| - | 2 | 2 | 2 | 2 | - | 2-21000-9 | SCR, SKT HD CAP 8-32 X .750 | 53 |
| - | - | - | - | - | REF | 690602-6 | CAM, PRE FEED, 1 5/8 | 49 |
| - | - | - | - | - | REF | 690602-5 | CAM, PRE FEED, 1 1/8 | 48 |
| - | 1 | - | - | - | - | 690501-4 | CAM, POST FEED, 1 5/8 | 47 |
| - | 1 | 1 | 1 | 1 | - | 459456-1 | APPL. BASIC SUB ASSY (SIDE WISE MOCA) | 46 |
| - | 1 | 1 | 1 | 1 | - | 690191-1 | PLUG, NYLON | 45 |
| - | 1 | 1 | 1 | 1 | - | 455673-1 | RAM, SIDE FEED | 44 |
| - | 1 | 1 | 1 | 1 | - | 690125-1 | SHIM SUB-ASSY | 43 |
| - | 1 | 1 | 1 | 1 | - | 690124-1 | WASHER, RAM (.115) | 42 |
| - | 1 | 1 | 1 | 1 | - | 7-21002-9 | SCR, BTN SKT HD CAP 5/16-24 X 1.00 | 41 |
| - | 1 | 1 | 1 | 1 | - | 23241-6 | BALL, STEEL | 40 |
| - | 1 | 1 | 1 | 1 | - | 690170-1 | SPRING, COMPRESSION | 39 |
| - | 1 | 1 | 1 | 1 | - | 690142-1 | DISC, INSULATION | 38 |
| - | 1 | 1 | 1 | 1 | - | 354777-1 | WIRE DISC, ASSEMBLY | 37 |
| - | 1 | 1 | 1 | 1 | - | 22480-5 | SPRING, COMPRESSION | 36 |
| - | 1 | 1 | 1 | 1 | - | 690212-1 | POST, RAM | 35 |
| - | 2 | 2 | 2 | 2 | - | 1-21000-1 | SCR, SKT HD CAP 2-56 X .375 | 33 |
| - | 1 | 1 | 1 | 1 | - | 21024-5 | WASHER, SPRG LOCK, REG NO 10 | 32 |
| - | 1 | 1 | 1 | 1 | - | 3-21000-4 | SCR, SKT HD CAP 10-32 X .375 | 31 |
| - | 1 | 1 | 1 | 1 | - | 1-844048-1 | PLATE, REAR STRIP GUIDE | 29 |
| - | 2 | 2 | 2 | 2 | - | 1-22284-0 | SPRING, COMPRESSION | 27 |
| - | 1 | 1 | 1 | 1 | - | 240793-1 | LEVER, DRAG RELEASE | 26 |
| - | 1 | 1 | 1 | 1 | - | 240792-1 | DRAG, TERMINAL | 25 |
| - | 1 | 1 | 1 | 1 | - | 690438-1 | FRONT STRIP GUIDE | 24 |
| - | 1 | 1 | 1 | 1 | - | 22353-8 | SCR, SHLD, SLOT HD, 3/16 DIA | 23 |
| - | 1 | - | - | - | - | 690472-2 | STRIPPER | 22 |
| - | 1 | 1 | 1 | 1 | - | 2-21000-7 | SCR, SKT HD CAP 8-32 X .500 | 21 |
| - | 4 | 4 | 4 | 4 | - | 21024-4 | WASHER, SPRG LOCK, REG NO 8 | 20 |
| - | - | - | - | - | REF | 691353-1 | STRIPPER | 19 |
| - | 1 | 1 | 1 | 1 | - | 690518-1 | HOLD DOWN, TERMINAL | 18 |
| - | 2 | 2 | 2 | 2 | - | 1-21000-8 | SCR, SKT HD CAP 6-32 X .250 | 16 |
| - | 1 | 1 | 1 | 1 | - | 1-690691-0 | PLATE, REAR SHEAR | 15 |
| - | 1 | 1 | 1 | 1 | - | 690462-1 | SHEAR HOLDER, REAR | 14 |
| - | 1 | 1 | 1 | 1 | - | 690463-1 | FLOATING SHEAR, REAR | 13 |
| - | 1 | 1 | 1 | 1 | - | 3-22280-3 | SPRING, COMPRESSION | 12 |
| - | 1 | 1 | 1 | 1 | - | 690461-1 | STOP, SHEAR | 11 |
| - | 1 | 1 | 1 | 1 | - | 2-1633109-3 | ANVIL, COMBINATION .080 | 8 |
| - | 1 | 1 | 1 | 1 | - | 690468-1 | DEPRESSOR SHEAR, REAR | 6 |
| - | 1 | 1 | 1 | 1 | - | 238009-4 | BLOCK, FL CRIMPER SPACER | 4 |
| - | 1 | 1 | 1 | 1 | - | 3-683453-1 | CRIMPER, INSULATION PREMIUM | 3 |
| - | 1 | 1 | 1 | 1 | - | 455888-7 | SPACER, CRIMPER | 2 |
| - | 1 | 1 | 1 | 1 | - | 1-456405-8 | CRIMPER, WIRE PREMIUM | 1 |



| ITEM NO | PART NO | DESCRIPTION | U/M | | | | | |
|---------|---------|-------------|-----|----|-----|---------|-------------|---------|
| -77 | -6 | -3 | -2 | -1 | U/M | PART NO | DESCRIPTION | ITEM NO |