

注記 NOTES

- ① 材料及び仕上げ (めっき仕様) : TABLE 1, TABLE2 参照  
MATERIAL AND FINISHES (PLATING SPECIFICATION) : SEE TABLE 1, TABLE2.
- ② 嵌合相手 : 505432シリーズ  
MATE WITH : 505432 SERIES
- 3. 端子テール部 及び ネイルの平坦度 : 0.12 MAXIMUM.  
TAIL AND NAIL COPLANARITY TO BE 0.12 MAXIMUM.
- ④ 極数 / 2 = 偶数に適用。  
APPLY TO CIRCUIT SIZE / 2 = EVEN.
- 5. 製品仕様書 : 5054320000 PS 006  
PRODUCT SPECIFICATION : 5054320000 PS 006
- ⑥ 発注番号 ORDER NUMBER

|                    |  |                                   |
|--------------------|--|-----------------------------------|
| 極数<br>CIRCUIT SIZE |  | 505448 ***                        |
| 番号 NO.             | 接点部 金めっき厚<br>CONTACT<br>GOLD PLATING THICKNESS<br>[MICROMETER MINIMUM] | 番号 NO. ハウジングカラー<br>HOUSING COLOR  |
| 9                  | 0.1  | 0 ナチュラル (ベージュ)<br>NATURAL (BEIGE) |
| 3                  | 0.38   | 1 黒 BLACK                         |
| 5                  | 0.76   | 2 赤 RED                           |
|                    |  | 4 青 BLUE                          |
|                    |  | 6 緑 GREEN                         |

7. コネクタ取扱説明書 : 5054320000-AS PS 000  
APPLICATION SPECIFICATION : 5054320000-AS PS 000

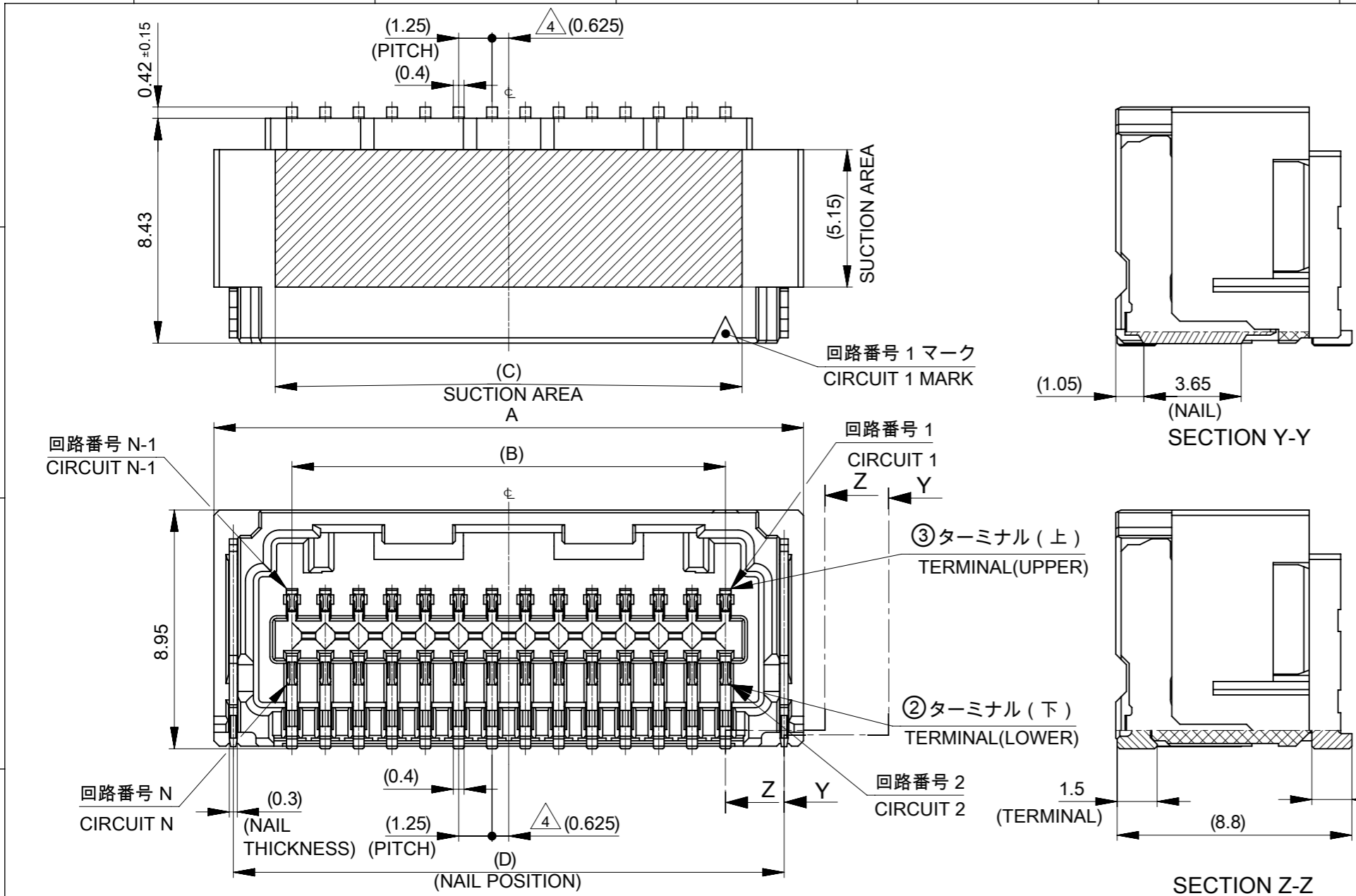
|      |      |      |                                    |       |       |       |       |                    |
|------|------|------|------------------------------------|-------|-------|-------|-------|--------------------|
| 49.4 | 45.4 | 20.2 | 44 ±0.3                            | 29.4  | 26.25 | 25    | 30.85 | 42                 |
|      |      |      |                                    | 28.15 | 25    | 23.75 | 29.6  | 40                 |
|      |      |      |                                    | 26.9  | 23.75 | 22.5  | 28.35 | 38                 |
|      |      |      |                                    | 25.65 | 22.5  | 21.25 | 27.1  | 36                 |
|      |      |      |                                    | 24.4  | 21.25 | 20    | 25.85 | 34                 |
|      |      |      |                                    | 23.15 | 20    | 18.75 | 24.6  | 32                 |
|      |      |      |                                    | 21.9  | 18.75 | 17.5  | 23.35 | 30                 |
| 37.4 | 33.4 | 14.2 | 32 ±0.3                            | 20.65 | 17.5  | 16.25 | 22.1  | 28                 |
|      |      |      |                                    | 19.4  | 16.25 | 15    | 20.85 | 26                 |
|      |      |      |                                    | 18.15 | 15    | 13.75 | 19.6  | 24                 |
|      |      |      |                                    | 16.9  | 13.75 | 12.5  | 18.35 | 22                 |
|      |      |      |                                    | 15.65 | 12.5  | 11.25 | 17.1  | 20                 |
|      |      |      |                                    | 14.4  | 11.25 | 10    | 15.85 | 18                 |
|      |      |      |                                    | 13.15 | 10    | 8.75  | 14.6  | 16                 |
| 29.4 | 25.4 | 11.5 | 24 <sup>+0.3</sup> <sub>-0.1</sub> | 11.9  | 8.75  | 7.5   | 13.35 | 14                 |
|      |      |      |                                    | 10.65 | 7.5   | 6.25  | 12.1  | 12                 |
|      |      |      |                                    | 9.4   | 6.25  | 5     | 10.85 | 10                 |
|      |      |      |                                    | 8.15  | 5     | 3.75  | 9.6   | 8                  |
| H    | G    | F    | E                                  | D     | C     | B     | A     | 極数<br>CIRCUIT SIZE |

|   |        |                   |                 |  |          |
|---|--------|-------------------|-----------------|--|----------|
| THIS DRAWING CONTAINS INFORMATION THAT IS PROPRIETARY TO MOLEX ELECTRONIC TECHNOLOGIES, LLC AND SHOULD NOT BE USED WITHOUT WRITTEN PERMISSION |        | CURRENT REV DESC: |                 | <b>molex</b>   |          |
| DIMENSION UNITS   | SCALE  |                   |                 |  |          |
| mm  | NTS    |                   |                 | MICRO-LOCK PLUS 1.25 W/B<br>DUAL ROW RIGHT ANGLE SMT PLUG ASSEMBLY<br>GOLD PLATING |          |
| GENERAL TOLERANCES (UNLESS SPECIFIED)   |        |                   |                 | PRODUCT CUSTOMER DRAWING   |          |
| ANGULAR TOL   | ± 3.0° |                   |                 | DOCUMENT NUMBER  |          |
| 4 PLACES  | ± 0.2  | EC NO: 720259     | 2022/11/09      | 5054480003-SD  |          |
| 3 PLACES  | ± 0.2  | DRWN: SOKUMURA01  | 2022/11/28      | DOC TYPE   | DOC PART |
| 2 PLACES  | ± 0.2  | CHK'D: SAKIYAMA   | 2022/11/30      | PSD  | 000      |
| 1 PLACE   | ± 0.2  | APPR: AIDA        |                 | REVISION   | C        |
| 0 PLACES  | ± 0.2  | INITIAL REVISION: |                 |  |          |
| DRAFT WHERE APPLICABLE MUST REMAIN WITHIN DIMENSIONS  |        | DRWN: TAKAIKE     | 2019/08/21      |  |          |
| THIRD ANGLE PROJECTION  |        | APPR: AIDA        | 2019/12/26      |  |          |
| DRAWING   |        | SERIES            | MATERIAL NUMBER | CUSTOMER   |          |
| A3-SIZE   |        | 505448            | SEE SHEET 4     | GENERAL  |          |
| SHEET NUMBER  |        | 1 OF 4            |                 |  |          |

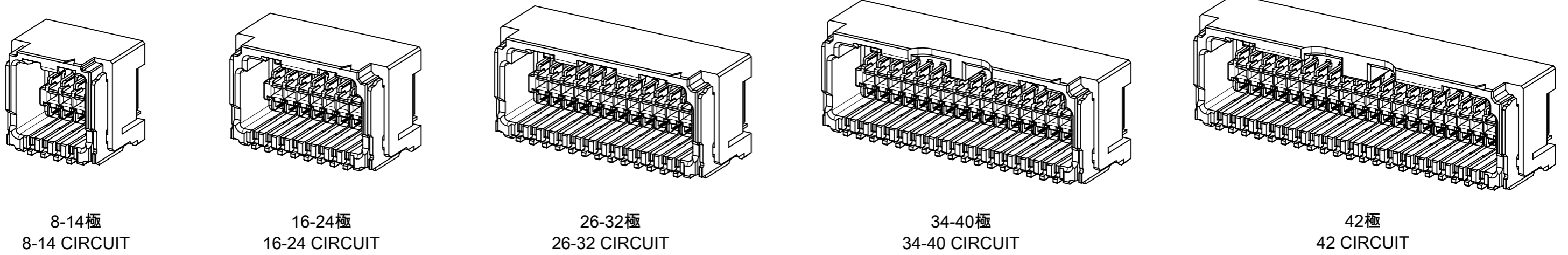
① TABLE 1

| 番号 NO. | 部品 PART        | 材質 MATERIAL  |
|--------|----------------|--|
| ①      | ハウジング HOUSING  | POLYAMIDE(PA) UL94V-0 色 : SHEET 4参照<br>POLYAMIDE(PA) UL94V-0 COLOR : SEE SHEET 4.  |
| ②      | ターミナル TERMINAL | 黄銅 BRASS<br>接点部 : 金めっき めっき厚は注記6参照<br>CONTACT : GOLD PLATING<br>PLATING THICKNESS : SEE NOTE 6.<br>ニッケルめっき (下地めっき) : 2.0 MICROMETER MINIMUM<br>NICKEL PLATING (UNDER PLATING) |
| ④      | ネイル NAIL       | 黄銅 BRASS<br>錫ビスマスめっき : 1.0 MICROMETER MINIMUM<br>TIN-BISMUTH PLATING<br>ニッケルめっき (下地めっき) : 1.0 MICROMETER MINIMUM<br>NICKEL PLATING (UNDER PLATING)                           |

|                 |    |              |            |          |
|-----------------|----|--------------|------------|----------|
| DOCUMENT STATUS | P1 | RELEASE DATE | 2022/11/30 | 05:04:04 |
|-----------------|----|--------------|------------|----------|



製品形状  
PRODUCT SHAPE



8-14極  
8-14 CIRCUIT

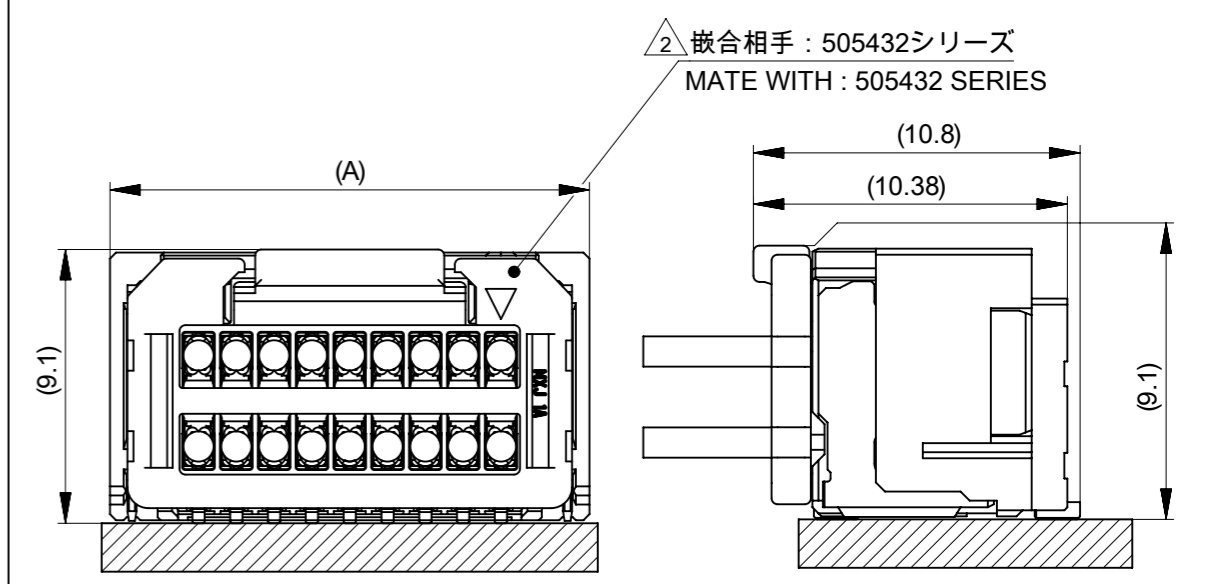
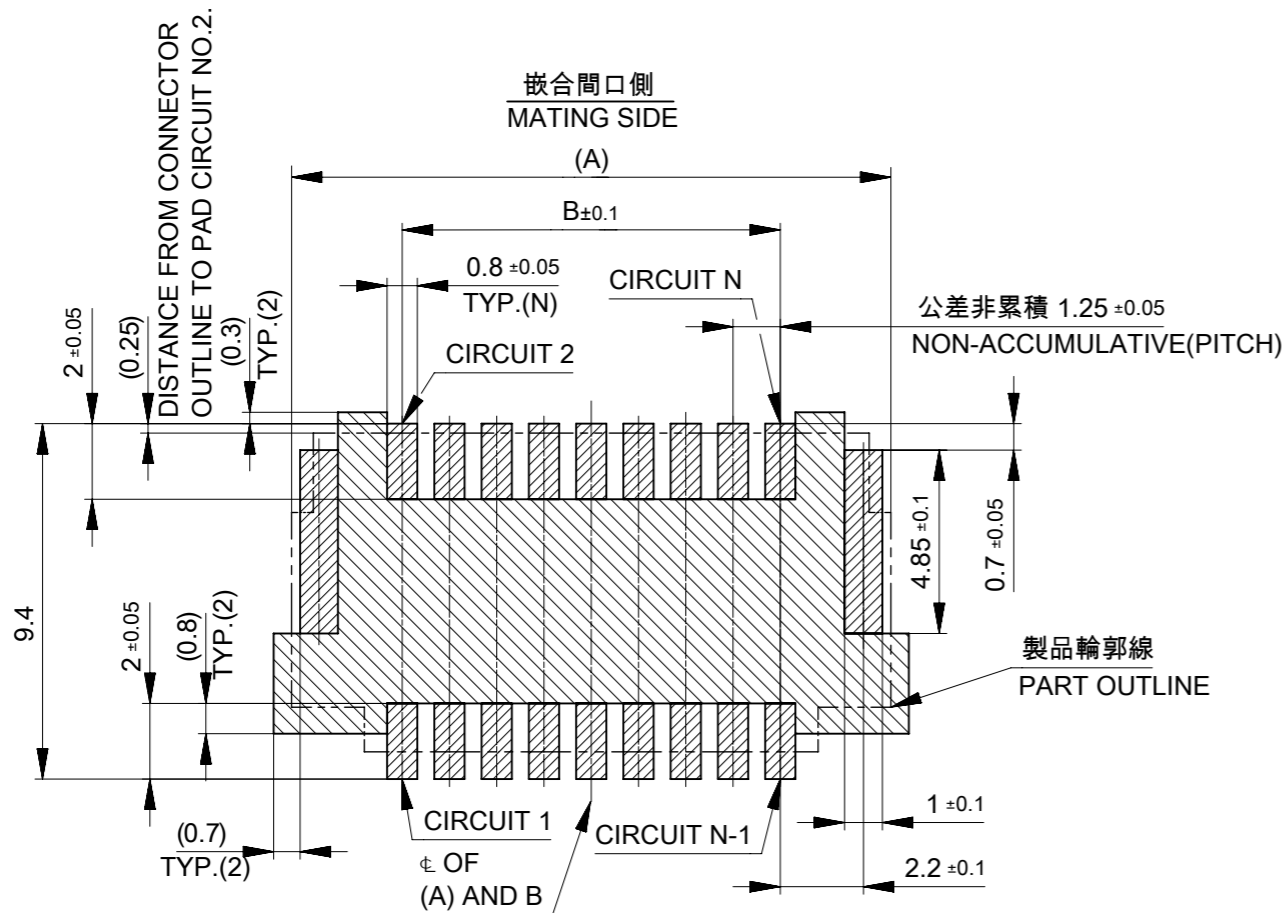
16-24極  
16-24 CIRCUIT

26-32極  
26-32 CIRCUIT

34-40極  
34-40 CIRCUIT

42極  
42 CIRCUIT

嵌合状態図  
MATED CONNECTORS

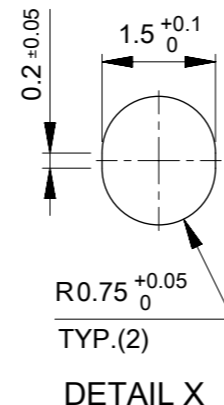
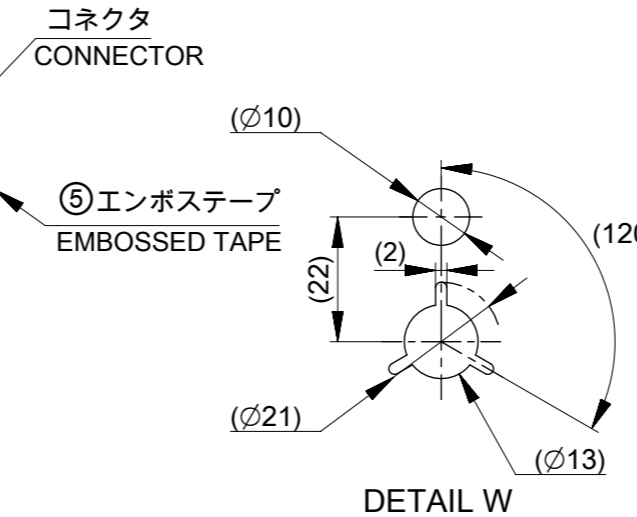
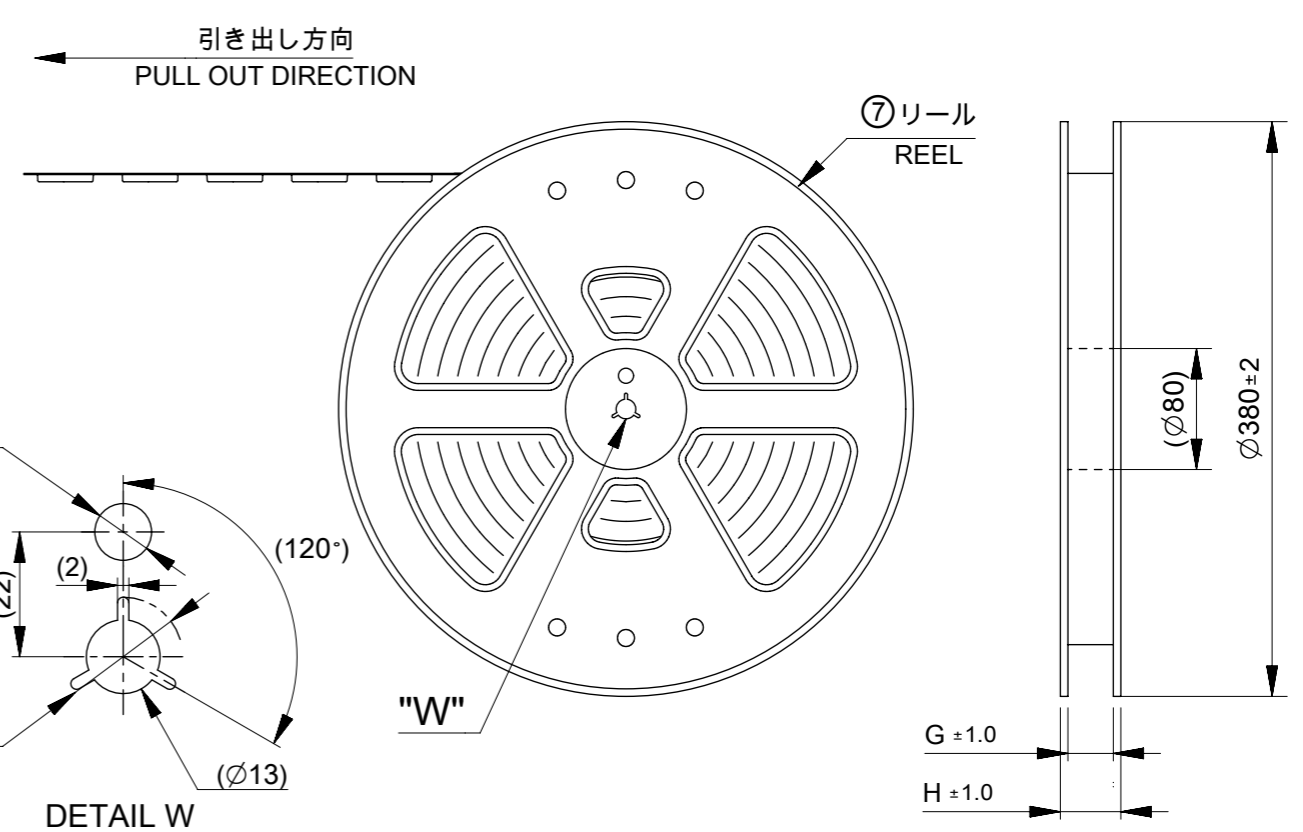
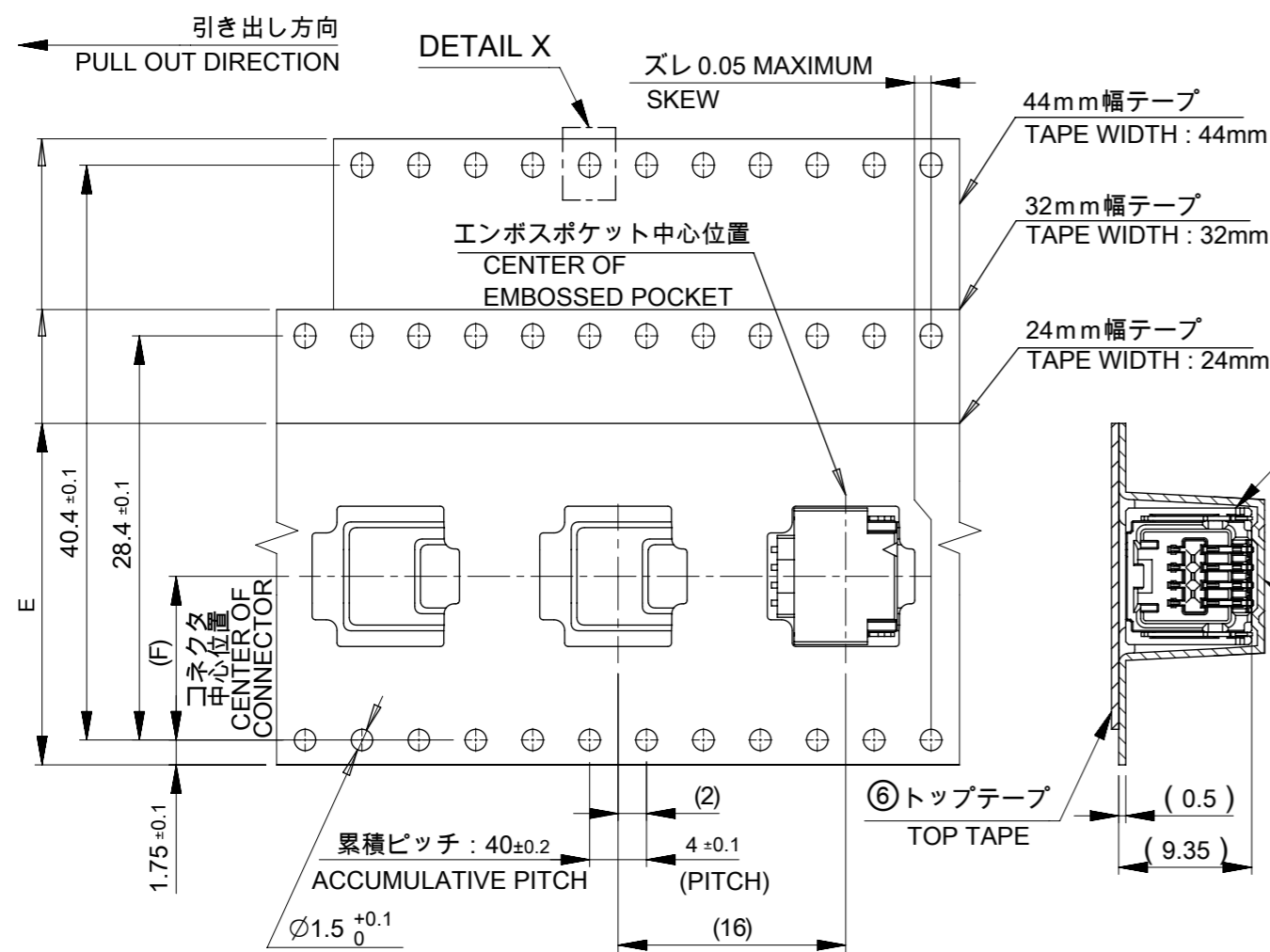


基板パターンレイアウト (参考)  
(参考 : 基板厚 1.6mm, メタルマスク厚さ 0.15mm, マスク開口率 100%)

RECOMMEND PCB LAYOUT : COMPONENT SIDE  
(REFERENCE : PCB THICKNESS 1.6mm, STENCIL THICKNESS 0.15mm, APERTURE RATIO 100%)

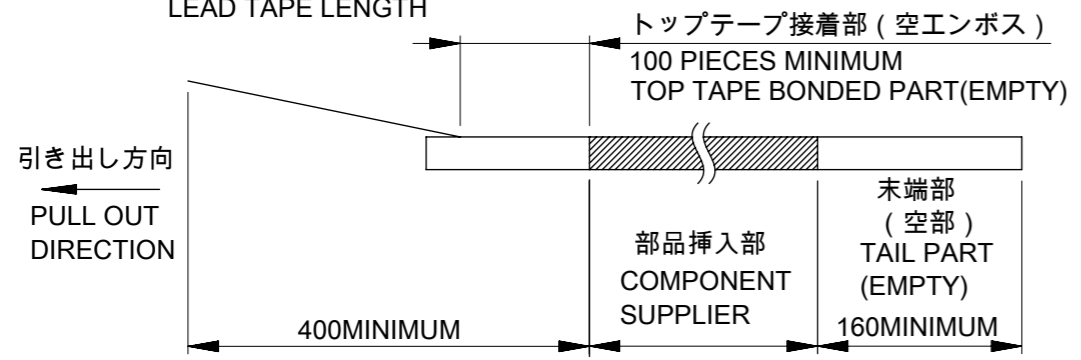
パターン非推奨エリア  
パターンを引き回す際は、製品機能に影響がないことをご確認ください。  
PATTERN IS NOT RECOMMENDED ON THE HATCHING AREA  
PLEASE CHECK NOT TO HAVE PROBLEM FOR PRODUCT FUNCTION  
WHEN SETTING PATTERN ON THE HATCHING AREA.

|   |  |       |  |                        |  |              |  |                     |  |
|---|--|-------|--|------------------------|--|--------------|--|---------------------|--|
| THIS DRAWING CONTAINS INFORMATION THAT IS PROPRIETARY TO MOLEX ELECTRONIC TECHNOLOGIES, LLC AND SHOULD NOT BE USED WITHOUT WRITTEN PERMISSION |  |       |  |                        |  |              |  |                     |  |
| DIMENSION UNITS   |  | SCALE |  | CURRENT REV DESC:      |  |              |  |                     |  |
| mm  |  | NTS   |  |                        |  |              |  |                     |  |
| GENERAL TOLERANCES (UNLESS SPECIFIED)   |  |       |  |                        |  |              |  |                     |  |
| ANGULAR TOL ± 3.0 °   |  |       |  |                        |  |              |  |                     |  |
| 4 PLACES  |  | ± 0.2 |  | EC NO: 720259          |  | 2022/11/09   |  |                     |  |
| 3 PLACES  |  | ± 0.2 |  | DRWN: SOKUMURA01       |  | 2022/11/28   |  |                     |  |
| 2 PLACES  |  | ± 0.2 |  | CHK'D: SAKIYAMA        |  | 2022/11/30   |  |                     |  |
| 1 PLACE   |  | ± 0.2 |  | APPR: AIDA             |  |              |  |                     |  |
| 0 PLACES  |  | ± 0.2 |  | INITIAL REVISION:      |  |              |  |                     |  |
|   |  |       |  | DRWN: TAKAIKE          |  | 2019/08/21   |  |                     |  |
|   |  |       |  | APPR: AIDA             |  | 2019/12/26   |  |                     |  |
| DRAFT WHERE APPLICABLE MUST REMAIN WITHIN DIMENSIONS  |  |       |  | THIRD ANGLE PROJECTION |  | DRAWING      |  | SERIES              |  |
|   |  |       |  | A3-SIZE                |  | 505448       |  |                     |  |
|   |  |       |  | MATERIAL NUMBER        |  | CUSTOMER     |  | SHEET NUMBER        |  |
|   |  |       |  | SEE SHEET 4            |  | GENERAL      |  | 2 OF 4              |  |
| DOCUMENT STATUS   |  |       |  | P1                     |  | RELEASE DATE |  | 2022/11/30 05:04:04 |  |
| 9   |  | 8     |  | 7                      |  | 6            |  | 5                   |  |
| 4   |  | 3     |  | 2                      |  | 1            |  |                     |  |



注記 NOTES

- 8. 梱包数量 : 500個  
NUMBER OF CONNECTORS : 500 PIECES/REEL.
- 9. 梱包仕様書 : 5054489200 PS 200  
PACKING SPECIFICATION : 5054489200 PS 200
- 10. リードテープ長さ  
LEAD TAPE LENGTH



11. トップテープの剥離強度については、IEC60286-3に準拠  
TOP TAPE PEEL FORCE IS DEFINED BY IEC60286-3.

TABLE 2

| 番号<br>NO. | 部品<br>PART               | 材質<br>MATERIAL   |
|-----------|--------------------------|--|
| ⑤         | エンボステープ<br>EMBOSSED TAPE | ポリスチレン(PS)<br>POLYSTYRENE(PS)  |
| ⑥         | トップテープ<br>TOP TAPE       | ポリエチレン(PE)、その他<br>POLYETHYLENE(PE), OTHER                                |
| ⑦         | リール<br>REEL              | ポリスチレン(PS) <リサイクル材を含む><br>POLYSTYRENE(PS) <RECYCLE MATERIRAL CONTAINED > |

|                 |    |              |            |          |
|-----------------|----|--------------|------------|----------|
| DOCUMENT STATUS | P1 | RELEASE DATE | 2022/11/30 | 05:04:04 |
|-----------------|----|--------------|------------|----------|

|   |         |                        |         |  |                 |
|---|---------|------------------------|---------|--|-----------------|
| THIS DRAWING CONTAINS INFORMATION THAT IS PROPRIETARY TO MOLEX ELECTRONIC TECHNOLOGIES, LLC AND SHOULD NOT BE USED WITHOUT WRITTEN PERMISSION |         | CURRENT REV DESC:      |         | <b>molex</b>   |                 |
| DIMENSION UNITS   | SCALE   |                        |         |  |                 |
| mm  | NTS     |                        |         | MICRO-LOCK PLUS 1.25 W/B<br>DUAL ROW RIGHT ANGLE SMT PLUG ASSEMBLY<br>GOLD PLATING |                 |
| GENERAL TOLERANCES<br>(UNLESS SPECIFIED)  |         |                        |         | PRODUCT CUSTOMER DRAWING   |                 |
| ANGULAR TOL   | ± 3.0 ° |                        |         | DOCUMENT NUMBER  |                 |
| 4 PLACES  | ± 0.2   | EC NO: 720259          |         | 5054480003-SD  |                 |
| 3 PLACES  | ± 0.2   | DRWN: SOKUMURA01       |         | DOC TYPE   |                 |
| 2 PLACES  | ± 0.2   | 2022/11/09             |         | PSD  |                 |
| 1 PLACE   | ± 0.2   | CHK'D: SAKIYAMA        |         | DOC PART   |                 |
| 0 PLACES  | ± 0.2   | APPR: AIDA             |         | 000  |                 |
|   |         | 2022/11/30             |         | REVISION   |                 |
|   |         | INITIAL REVISION:      |         | C  |                 |
|   |         | DRWN: TAKAIKE          |         |  |                 |
|   |         | 2019/08/21             |         |  |                 |
|   |         | APPR: AIDA             |         |  |                 |
|   |         | 2019/12/26             |         |  |                 |
| DRAFT WHERE APPLICABLE<br>MUST REMAIN<br>WITHIN DIMENSIONS  |         | THIRD ANGLE PROJECTION | DRAWING | SERIES   | MATERIAL NUMBER |
|   |         |                        | A3-SIZE | 505448   | CUSTOMER        |
|   |         |                        |         | SEE SHEET 4  | SHEET NUMBER    |
|   |         |                        |         | GENERAL  | 3 OF 4          |

△ 505448\*\*9\* 発注番号一覧 ORDER NUMBER LIST


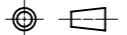
| GREEN   | BLUE       | RED        | BLACK      | NATURAL (BEIGE) | HOUSING COLOR      |
|---|------------|------------|------------|-----------------|--------------------|
| 5054484296  | 5054484294 | 5054484292 | 5054484291 | 5054484290      | 42                 |
| 5054484096  | 5054484094 | 5054484092 | 5054484091 | 5054484090      | 40                 |
| 5054483896  | 5054483894 | 5054483892 | 5054483891 | 5054483890      | 38                 |
| 5054483696  | 5054483694 | 5054483692 | 5054483691 | 5054483690      | 36                 |
| 5054483496  | 5054483494 | 5054483492 | 5054483491 | 5054483490      | 34                 |
| 5054483296  | 5054483294 | 5054483292 | 5054483291 | 5054483290      | 32                 |
| 5054483096  | 5054483094 | 5054483092 | 5054483091 | 5054483090      | 30                 |
| 5054482896  | 5054482894 | 5054482892 | 5054482891 | 5054482890      | 28                 |
| 5054482696  | 5054482694 | 5054482692 | 5054482691 | 5054482690      | 26                 |
| 5054482496  | 5054482494 | 5054482492 | 5054482491 | 5054482490      | 24                 |
| 5054482296  | 5054482294 | 5054482292 | 5054482291 | 5054482290      | 22                 |
| 5054482096  | 5054482094 | 5054482092 | 5054482091 | 5054482090      | 20                 |
| 5054481896  | 5054481894 | 5054481892 | 5054481891 | 5054481890      | 18                 |
| 5054481696  | 5054481694 | 5054481692 | 5054481691 | 5054481690      | 16                 |
| 5054481496  | 5054481494 | 5054481492 | 5054481491 | 5054481490      | 14                 |
| 5054481296  | 5054481294 | 5054481292 | 5054481291 | 5054481290      | 12                 |
| 5054481096  | 5054481094 | 5054481092 | 5054481091 | 5054481090      | 10                 |
| 5054480896  | 5054480894 | 5054480892 | 5054480891 | 5054480890      | 8                  |
| 発注番号 ORDER NUMBER   |            |            |            |                 | 極数<br>CIRCUIT SIZE |
| 梱包形態：エンボステープ梱包<br>PACKAGING STYLE：EMBOSSSED TAPE AND REEL |            |            |            |                 |                    |

△ 505448\*\*5\* 発注番号一覧 ORDER NUMBER LIST

| GREEN   | BLUE       | RED        | BLACK      | NATURAL (BEIGE) | HOUSING COLOR      |
|---|------------|------------|------------|-----------------|--------------------|
| 5054484256  | 5054484254 | 5054484252 | 5054484251 | 5054484250      | 42                 |
| 5054484056  | 5054484054 | 5054484052 | 5054484051 | 5054484050      | 40                 |
| 5054483856  | 5054483854 | 5054483852 | 5054483851 | 5054483850      | 38                 |
| 5054483656  | 5054483654 | 5054483652 | 5054483651 | 5054483650      | 36                 |
| 5054483456  | 5054483454 | 5054483452 | 5054483451 | 5054483450      | 34                 |
| 5054483256  | 5054483254 | 5054483252 | 5054483251 | 5054483250      | 32                 |
| 5054483056  | 5054483054 | 5054483052 | 5054483051 | 5054483050      | 30                 |
| 5054482856  | 5054482854 | 5054482852 | 5054482851 | 5054482850      | 28                 |
| 5054482656  | 5054482654 | 5054482652 | 5054482651 | 5054482650      | 26                 |
| 5054482456  | 5054482454 | 5054482452 | 5054482451 | 5054482450      | 24                 |
| 5054482256  | 5054482254 | 5054482252 | 5054482251 | 5054482250      | 22                 |
| 5054482056  | 5054482054 | 5054482052 | 5054482051 | 5054482050      | 20                 |
| 5054481856  | 5054481854 | 5054481852 | 5054481851 | 5054481850      | 18                 |
| 5054481656  | 5054481654 | 5054481652 | 5054481651 | 5054481650      | 16                 |
| 5054481456  | 5054481454 | 5054481452 | 5054481451 | 5054481450      | 14                 |
| 5054481256  | 5054481254 | 5054481252 | 5054481251 | 5054481250      | 12                 |
| 5054481056  | 5054481054 | 5054481052 | 5054481051 | 5054481050      | 10                 |
| 5054480856  | 5054480854 | 5054480852 | 5054480851 | 5054480850      | 8                  |
| 発注番号 ORDER NUMBER   |            |            |            |                 | 極数<br>CIRCUIT SIZE |
| 梱包形態：エンボステープ梱包<br>PACKAGING STYLE：EMBOSSSED TAPE AND REEL |            |            |            |                 |                    |

△ 505448\*\*3\* 発注番号一覧 ORDER NUMBER LIST

| GREEN   | BLUE       | RED        | BLACK      | NATURAL (BEIGE) | HOUSING COLOR      |
|---|------------|------------|------------|-----------------|--------------------|
| 5054484236  | 5054484234 | 5054484232 | 5054484231 | 5054484230      | 42                 |
| 5054484036  | 5054484034 | 5054484032 | 5054484031 | 5054484030      | 40                 |
| 5054483836  | 5054483834 | 5054483832 | 5054483831 | 5054483830      | 38                 |
| 5054483636  | 5054483634 | 5054483632 | 5054483631 | 5054483630      | 36                 |
| 5054483436  | 5054483434 | 5054483432 | 5054483431 | 5054483430      | 34                 |
| 5054483236  | 5054483234 | 5054483232 | 5054483231 | 5054483230      | 32                 |
| 5054483036  | 5054483034 | 5054483032 | 5054483031 | 5054483030      | 30                 |
| 5054482836  | 5054482834 | 5054482832 | 5054482831 | 5054482830      | 28                 |
| 5054482636  | 5054482634 | 5054482632 | 5054482631 | 5054482630      | 26                 |
| 5054482436  | 5054482434 | 5054482432 | 5054482431 | 5054482430      | 24                 |
| 5054482236  | 5054482234 | 5054482232 | 5054482231 | 5054482230      | 22                 |
| 5054482036  | 5054482034 | 5054482032 | 5054482031 | 5054482030      | 20                 |
| 5054481836  | 5054481834 | 5054481832 | 5054481831 | 5054481830      | 18                 |
| 5054481636  | 5054481634 | 5054481632 | 5054481631 | 5054481630      | 16                 |
| 5054481436  | 5054481434 | 5054481432 | 5054481431 | 5054481430      | 14                 |
| 5054481236  | 5054481234 | 5054481232 | 5054481231 | 5054481230      | 12                 |
| 5054481036  | 5054481034 | 5054481032 | 5054481031 | 5054481030      | 10                 |
| 5054480836  | 5054480834 | 5054480832 | 5054480831 | 5054480830      | 8                  |
| 発注番号 ORDER NUMBER   |            |            |            |                 | 極数<br>CIRCUIT SIZE |
| 梱包形態：エンボステープ梱包<br>PACKAGING STYLE：EMBOSSSED TAPE AND REEL |            |            |            |                 |                    |

|   |  |  |  |   |  |         |        |   |          |
|---|--|--|--|---|--|---------|--------|---|----------|
| THIS DRAWING CONTAINS INFORMATION THAT IS PROPRIETARY TO MOLEX ELECTRONIC TECHNOLOGIES, LLC AND SHOULD NOT BE USED WITHOUT WRITTEN PERMISSION |  |  |  |   |  |         |        |   |          |
| DIMENSION UNITS   |  | SCALE  |  | CURRENT REV DESC:   |  |         |        |  |          |
| mm  |  | NTS  |  |   |  |         |        |   |          |
| GENERAL TOLERANCES (UNLESS SPECIFIED)   |  |  |  | EC NO: 720259<br>DRWN: SOKUMURA01 2022/11/09<br>CHK'D: SAKIYAMA 2022/11/28<br>APPR: AIDA 2022/11/30 |  |         |        | MICRO-LOCK PLUS 1.25 W/B<br>DUAL ROW RIGHT ANGLE SMT PLUG ASSEMBLY<br>GOLD PLATING    |          |
| ANGULAR TOL ± 3.0 °   |  |  |  |   |  |         |        |   |          |
| 4 PLACES ± 0.2  |  | 3 PLACES ± 0.2                                       |  | INITIAL REVISION:<br>DRWN: TAKAIKE 2019/08/21<br>APPR: AIDA 2019/12/26                              |  |         |        | PRODUCT CUSTOMER DRAWING  |          |
| 2 PLACES ± 0.2  |  | 1 PLACE ± 0.2  |  |   |  |         |        | DOCUMENT NUMBER   |          |
| 0 PLACES ± 0.2  |  | DRAFT WHERE APPLICABLE MUST REMAIN WITHIN DIMENSIONS |  | THIRD ANGLE PROJECTION  |  | DRAWING | SERIES | MATERIAL NUMBER   | CUSTOMER |
|   |  |  |  |                |  | A3-SIZE | 505448 | SEE CHART   | GENERAL  |
|   |  |  |  |   |  |         |        | 4 OF 4  |          |