

**Ratings**

Voltage: 600 V  
 Temperature: -40~105 °C  
 Flammability: FT2

**Conductor**

Conductor count: 5  
 Gauge: 26 AWG 0.13 mm<sup>2</sup>  
 Material: tinned copper strands  
 Strand size:  $\varnothing 0.08 \times 26$   
 Resistance at 20 °C: 150  $\Omega$  /km max

**Insulator**

Material: mPPE  
 Color: red, black, white, yellow, blue  
 Diameter:  $\varnothing 1 \pm 0.10$  mm  
 Average thickness: 0.25 mm  
 Minimum thickness: 0.2 mm  
 Resistance at 20 °C: 100 M $\Omega$  /km min

**Shield**

Type: foil  
 Material: aluminum mylar  
 Coverage: 100%

**Filler**

Material: cotton rope

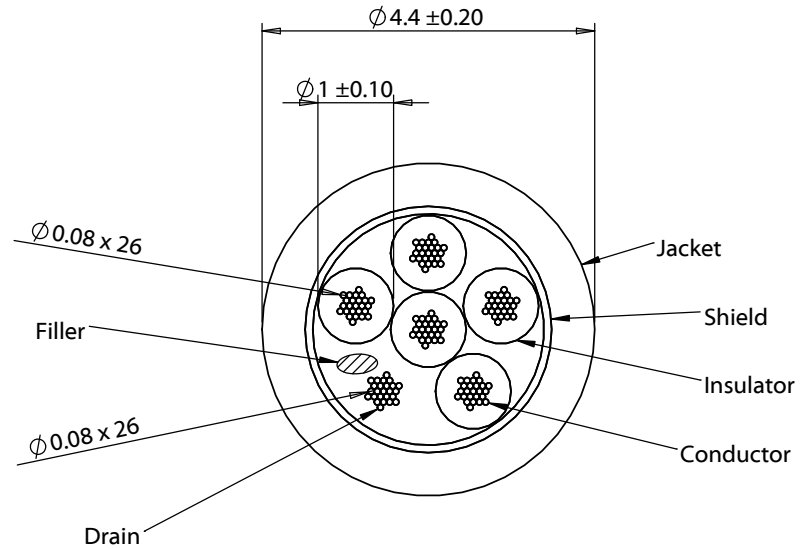
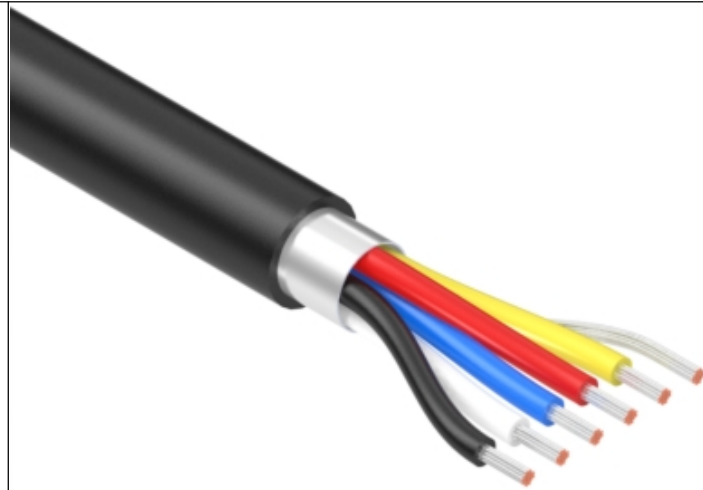
**Outer jacket**

Material: mPPE, 85A  
 Color: black  
 Diameter:  $\varnothing 4.4 \pm 0.20$  mm  
 Average thickness: 0.80 mm  
 Minimum thickness: 0.56 mm

**Wire marking:** E339579 UL AWM STYLE 21509 26 AWG 105°C 600V --- cUL AWM I A 105°C 600V FT2 TENSILITY

**Bend radius**

Minimum: 6 times diameter (26.4 mm)



Revision:	Date:	Description:	Prepared:	Notes:	<h1>TENSILITY</h1> <p>tel 1.541.323.3228 800 877.670.7118                  fax 1.541.323.4202 web tensility.com</p>
A	4/20/2020	Initial release	JC <small>Digitally signed by JC Date: 2020.04.21 16:55:54 -07'00'</small>		
			Verified:	Phthalate and halogen free	Size:
			AW <small>Digitally signed by AW Date: 2020.04.21 16:36:37 -07'00'</small>	Description:	A
			Dimensions are in millimeters.	Wire, 5C TS, 26 AWG, 21509, 600V, 105C, 4.4 mm, shielded, FT2, mPPE	Part number:
			Tolerances:		30-01458
			X: $\pm 0.5$ mm		Scale: 10:1
			X.X: $\pm 0.3$ mm		
			X.XX: $\pm 0.05$ mm		Sheet 1 of 1

5

4

3

2

1