

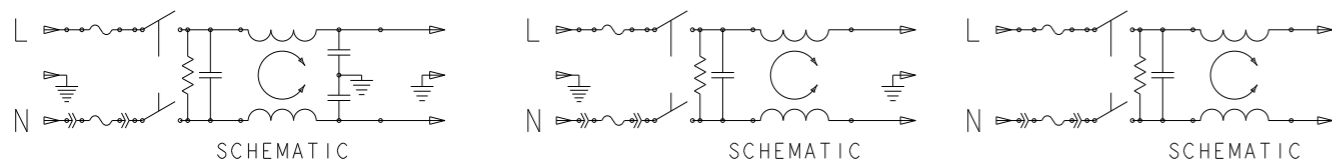
THIS DRAWING IS UNPUBLISHED.

RELEASED FOR PUBLICATION

REVISIONS

© COPYRIGHT BY - ALL RIGHTS RESERVED.

| P | LTR | DESCRIPTION | DATE | DWN | APVD |
|---|-----|-------------|------|-----|------|
| | | | | | |

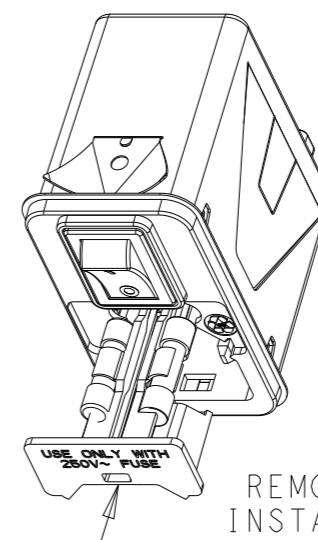
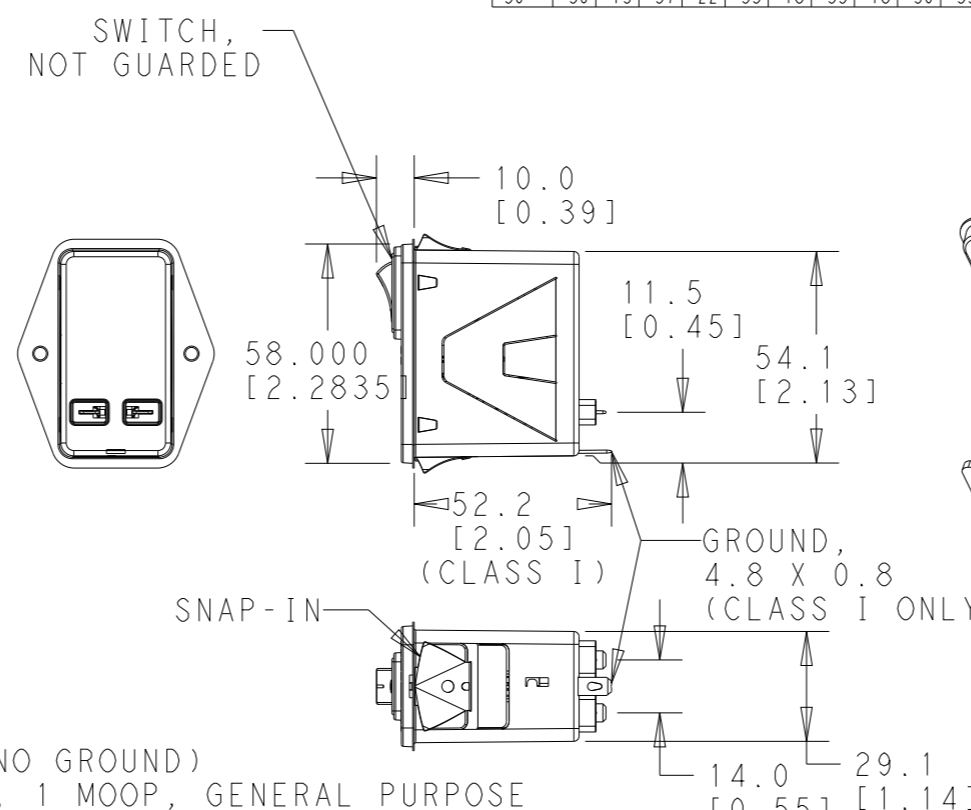
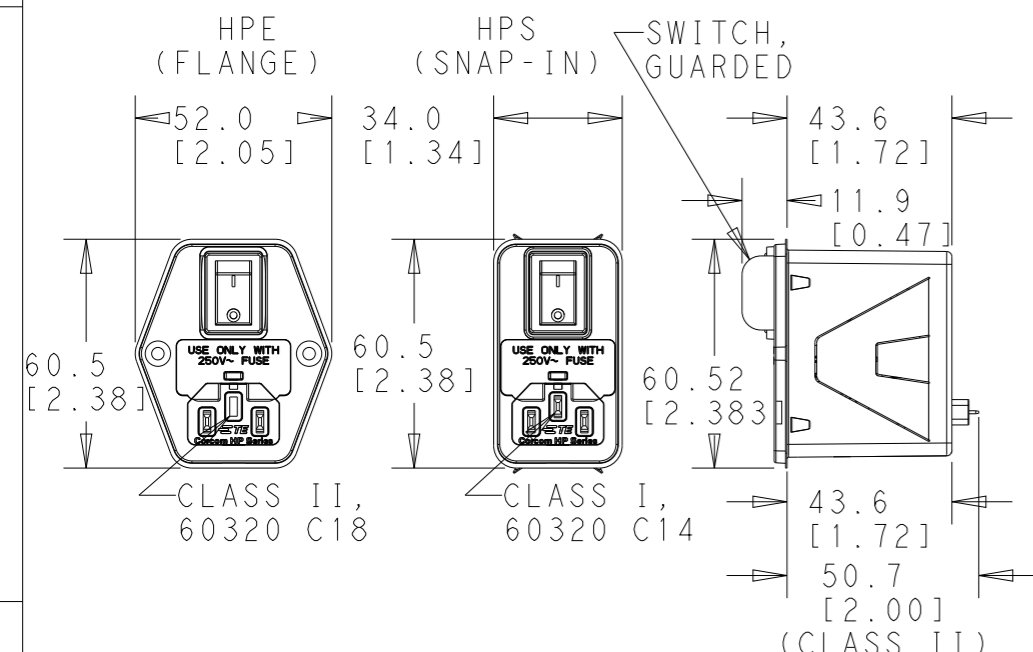


CLASS I, 1 MOOP GENERAL PURPOSE OPTION

CLASS I, 1 MOPP -HG OPTION

CLASS II, 2 MOOP -NG OPTION

| | | 50 OHM - 50 OHM INSERTION LOSS (dB) | | | | | | | | | | | | | | | |
|------|---------|-------------------------------------|---------|---------|---------|-------------------|---------|---------|---------|-------------|---------|---------|---------|-------------------|---------|---------|---------|
| | | COMMON MODE | | | | DIFFERENTIAL MODE | | | | COMMON MODE | | | | DIFFERENTIAL MODE | | | |
| | | 3A | 6A | 10A | 12A | 3A | 6A | 10A | 12A | 3A | 6A | 10A | 12A | 3A | 6A | 10A | 12A |
| MHz | TYP MIN | TYP MIN | TYP MIN | TYP MIN | TYP MIN | TYP MIN | TYP MIN | TYP MIN | TYP MIN | TYP MIN | TYP MIN | TYP MIN | TYP MIN | TYP MIN | TYP MIN | TYP MIN | TYP MIN |
| 0.05 | 9 3 | 0 0 | 0 0 | 0 0 | 0 0 | 14 8 | 13 7 | 14 8 | 14 8 | 0.05 | 9 3 | 0 0 | 0 0 | 0 0 | 14 8 | 14 8 | 14 8 |
| 0.15 | 18 12 | 3 0 | 1 0 | 1 0 | 1 0 | 23 17 | 23 17 | 23 17 | 23 17 | 0.15 | 18 12 | 3 0 | 1 0 | 1 0 | 23 17 | 23 17 | 23 17 |
| 0.3 | 24 18 | 7 1 | 3 0 | 3 0 | 3 0 | 29 23 | 29 23 | 29 23 | 29 23 | 0.3 | 24 18 | 7 1 | 3 0 | 3 0 | 29 23 | 29 23 | 29 23 |
| 0.5 | 29 23 | 12 6 | 6 0 | 6 0 | 6 0 | 33 27 | 34 28 | 34 28 | 34 28 | 0.5 | 28 22 | 11 5 | 6 0 | 6 0 | 33 27 | 34 28 | 34 28 |
| 1 | 34 24 | 17 7 | 10 0 | 10 0 | 10 0 | 37 27 | 39 29 | 40 30 | 40 30 | 1 | 31 21 | 14 4 | 9 0 | 9 0 | 38 28 | 40 30 | 40 30 |
| 3 | 45 35 | 26 16 | 19 9 | 19 9 | 19 9 | 38 28 | 47 37 | 56 46 | 56 46 | 3 | 34 24 | 18 8 | 12 2 | 12 2 | 41 31 | 48 38 | 53 43 |
| 5 | 53 43 | 30 20 | 24 14 | 24 14 | 24 14 | 44 34 | 47 37 | 56 46 | 56 46 | 5 | 33 23 | 18 8 | 12 2 | 12 2 | 41 31 | 50 40 | 60 50 |
| 10 | 49 34 | 36 21 | 30 15 | 30 15 | 30 15 | 60 45 | 59 44 | 35 20 | 35 20 | 10 | 30 15 | 16 1 | 10 0 | 10 0 | 40 25 | 51 36 | 51 36 |
| 30 | 30 15 | 37 22 | 33 18 | 33 18 | 33 18 | 50 35 | 49 34 | 47 32 | 47 32 | 30 | 24 9 | 14 0 | 9 0 | 9 0 | 39 24 | 46 31 | 43 28 |



CAUTION!
CORRECT FAULT BEFORE REPLACING BLOWN FUSES.
REMOVE PLUG TO INSTALL/REPLACE FUSE. USE TOOL TO GENTLY PRY FUSE DRAWER OPEN. PULL DRAWER STRAIGHT OUT TO POSITIVE STOP. DO NOT TWIST OR FLEX OR REMOVE DRAWER PAST POSITIVE STOP. INSERT/REPLACE FUSES AND GENTLY SLIDE FUSE DRAWER STRAIGHT IN.

3 HP S G D 1 - NG
CLASS (GROUND / NO GROUND)
[] - CLASS I, 1 MOOP, GENERAL PURPOSE
-HG - CLASS I, 1 MOPP
-NG - CLASS II, 2 MOOP*

OUTPUT STYLE
1 - 4.8 X 0.8 SPADE TERMINALS

FUSE HOLDER (Ø5 MM X 20 MM)
D - DUAL
S - SINGLE

SWITCH GUARD
G - GUARDED
N - NOT GUARDED

STYLE
E - FLANGES
S - SNAP-IN

HP SERIES

EXAMPLE: 12HPENS1
12 A
FLANGED
NO SWITCH GUARD
SINGLE-FUSE
GENERAL PURPOSE

HIPOT RATING (FOR 2 S)
L-G CLASS I : 2250 VAC
L-G CLASS II: 3000 VAC (-NG)*
LINE TO LINE: 1500 VDC

OPERATING FREQUENCY: 50-60 Hz
RATED VOLTAGE: 120/250 VAC
OPERATING AMBIENT TEMP: -40°C TO 40°C
STORAGE TEMPERATURE : -40°C TO 85°C
COMPATIBLE WITH V-LOCK PLUG.

MAX LEAKAGE PER LINE TO GROUND (I, 1MOOP)@ 120V,60Hz/250V,50Hz: 70/140µA
-HG, -NG @ 120V,60Hz/250V,50Hz: 2 / 5µA
HUMIDITY: 21 DAYS, 40°C @ 95%RH
CURRENT OVERLOAD: 2X RATED FOR 8 SEC
SWITCH: DOUBLE INS, 10,000 CYCLES, 51 A
SAFETY AGENCIES: UL RECOGNIZED, CSA CERTIFIED. UL-EU AND ENEC APPROVED.
STANDARDS: EN60939-3, C22.2#8, EN60601-1*

USE 14 AWG POWER CORD FOR > 6 A.
LIMIT FAULT CURRENT TO 12 A AT 40C.

THE BEST WAY TO SELECT AND QUALIFY A FILTER IS FOR YOUR ENGINEERING STAFF TO TEST THE UNIT IN YOUR EQUIPMENT.

| | | | | |
|----------------------------------------|--|------------------|---------|--------------------------------------------|
| THIS DRAWING IS A CONTROLLED DOCUMENT. | | DWN | 06JUL22 | TE Connectivity |
| | | EC | | |
| DIMENSIONS: mm | | CHK | - | NAME HP SERIES CUSTOMER DRAWING |
| TOLERANCES UNLESS OTHERWISE SPECIFIED: | | APVD | 06JUL22 | |
| 0 PLC ±2 | | EC | | PRODUCT SPEC - APPLICATION SPEC - |
| 1 PLC ±1.0 | | | | |
| 2 PLC ±0.40 | | | | SIZE A3 |
| 3 PLC ±0.200 | | | | |
| 4 PLC ±0.1000 | | | | CAGE CODE - |
| ANGLES ± | | | | |
| MATERIAL | | WEIGHT | - | DRAWING NO C-P-1609004-0 |
| | | | | |
| | | CUSTOMER DRAWING | | RESTRICTED TO - |
| | | | | |
| | | SCALE | 1:2 | SHEET 1 OF 1 REV A |
| | | | | |

* CLASS II WITH INSULATED FASTONS.
** RATED 12A UL/CSA, 10A ULEU/ENEC.