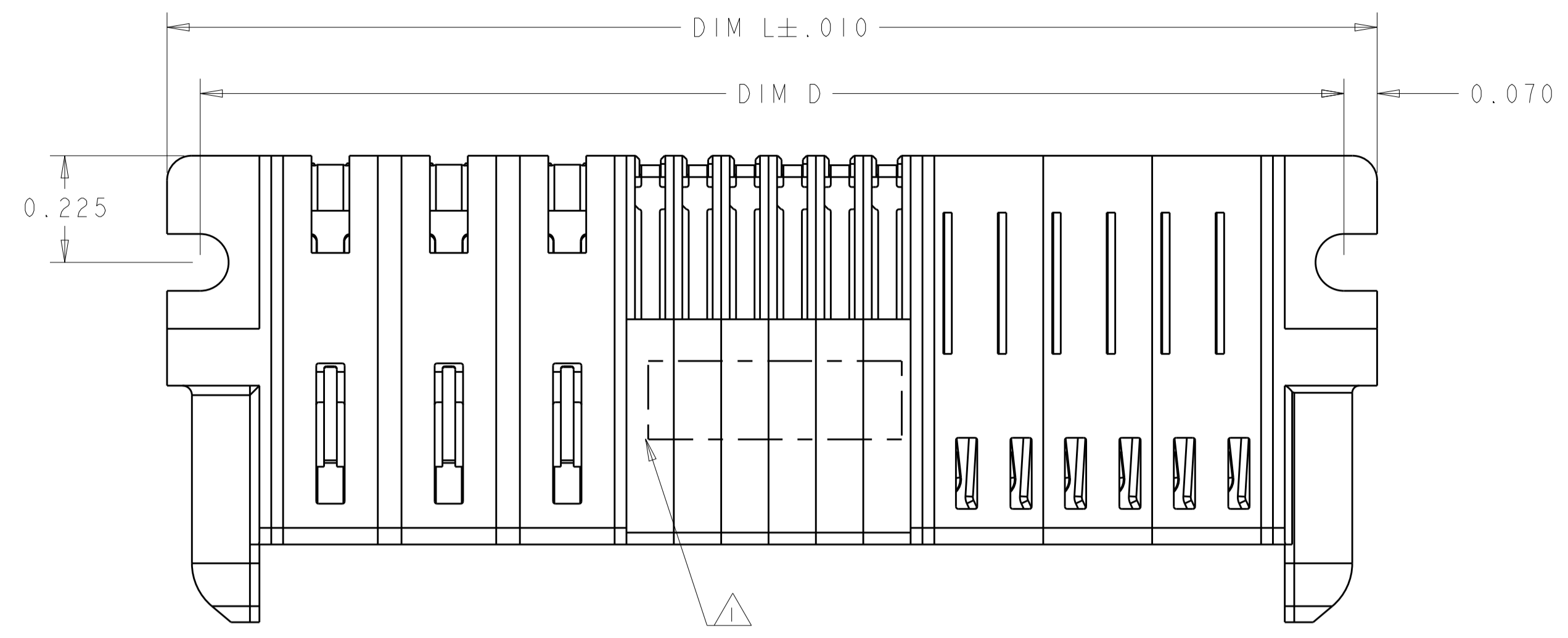
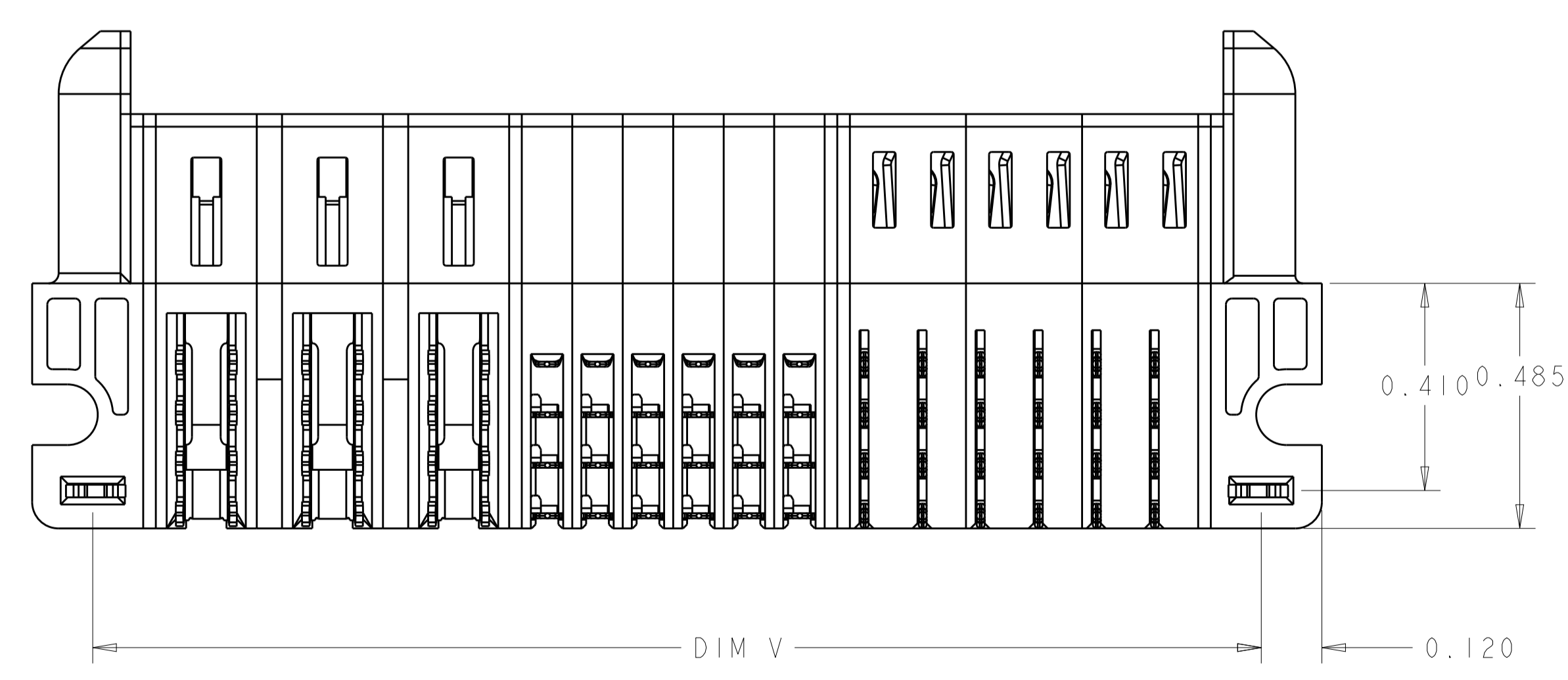
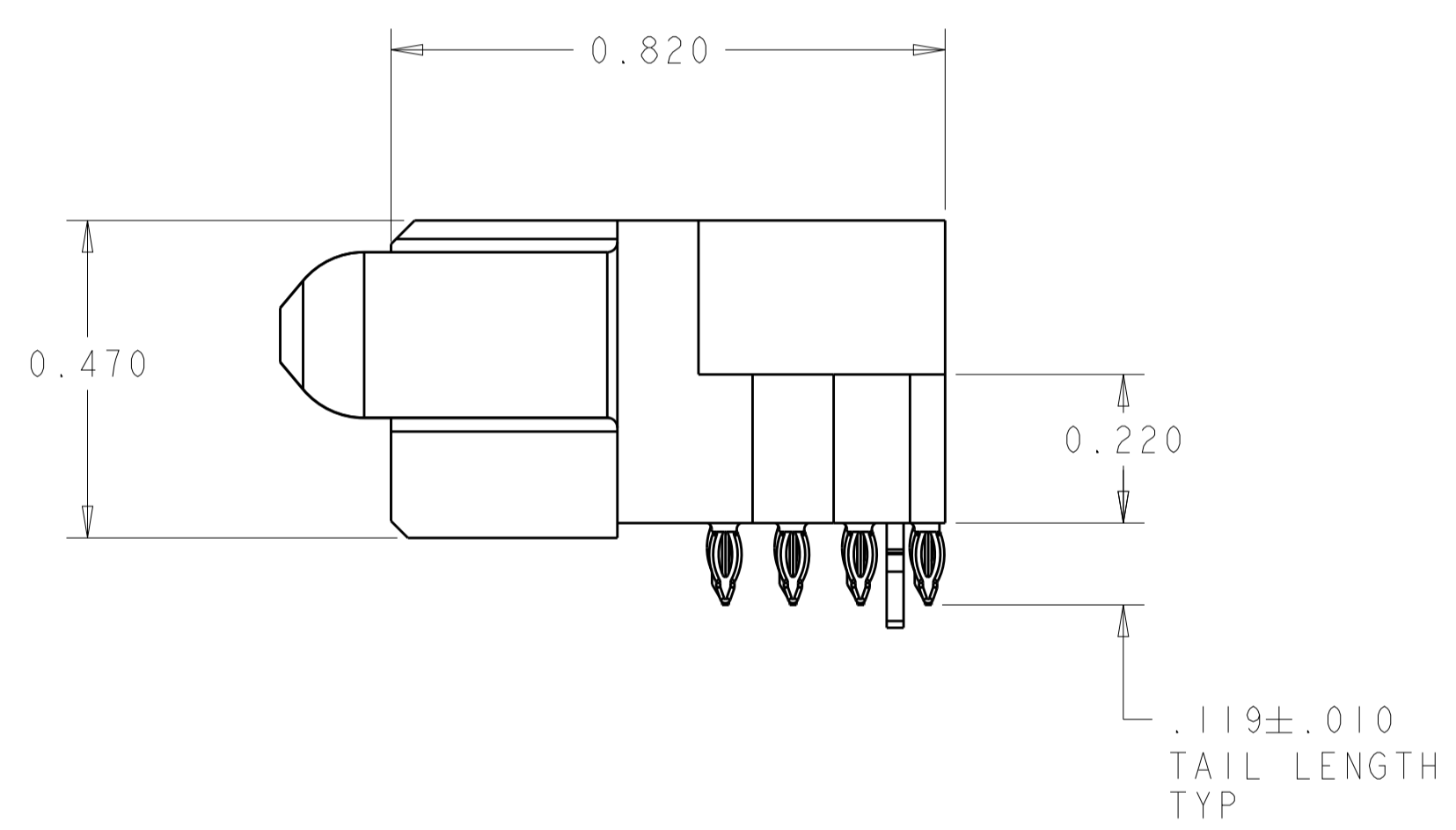
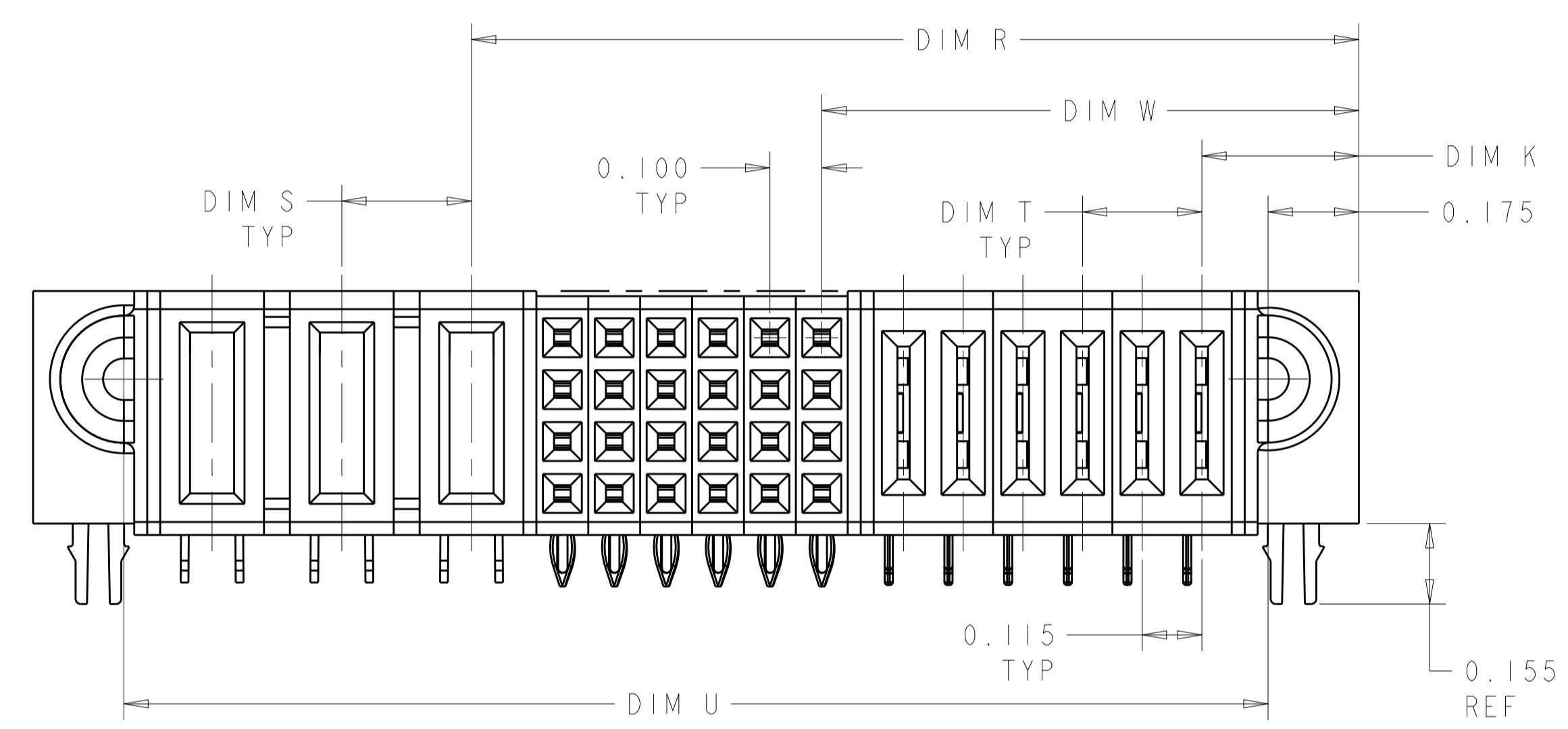


LOC	DIST	REVISIONS					
		P	LTN	DESCRIPTION	DATE	DMN	APVD
ES	00	F5		REMOVED 2-8			



- ① "AMP", PART NUMBER, AND DATE CODE TO BE MARKED IN AREA SHOWN PARTS UNDER 2.000 MAY BE MARKED ON BOTH SIDES.
- ② MATERIAL: HOUSING - GLASS FILLED HIGH TEMP THERMO PLASTIC, UL94 V-0
SIGNAL CONTACT - COPPER ALLOY
POWER CONTACT - HIGH CONDUCTIVITY COPPER ALLOY
- ③ CONTACT PLATING: NOBLE METAL PLATING ON CONTACT FUNCTIONAL AREA OF POWER AND SIGNAL CONTACTS
- ④ MECHANICAL CONNECTOR KEEP OUT ZONE
- ⑤ DATUM AND BASIC DIMENSIONS ESTABLISHED BY CUSTOMER
- ⑥ PCB - ALL HOLE DIAMETERS ARE FINISHED HOLE SIZES
- ⑦ PCB - .0453 ±.0010 DRILLED HOLE PLATED WITH .0003 MIN Sn OVER .001-.003 PLATING TO ACHIEVE A .040 HOLE
- ⑧ FOR P/S/P, P/S/LP CONFIGURATION, PLEASE REFER TO SHEET 2
- ⑨ CONTACTS LUBRICATED WITH HMI5 AFTER PLATING.



.240	.165	1.980	2.080	1.870	2.220	1.4225	.990	.2775	3LP + 16S + 4LP	⑧	2-6450880-7
.250	.250	1.750	1.850	1.640	1.990	1.345	.845	.395	2P + 16S + 2P	⑧	2-6450880-6
.230	.250	-	5.595	5.385	5.735	4.6025	3.345	.370	12P + 48S + 12LP	⑧	2-6450880-3
-	-	.880	.980	.770	1.120	.8425	.435	.2775	1LP + 16S + 1LP	⑧	2-6450880-0
.200	.200	2.350	2.450	2.240	2.590	1.670	1.095	.320	4HDP + 20S + 4HDP	⑧	1-6450880-9
.250	.250	3.900	4.000	3.790	4.140	2.820	1.520	.320	5P + 48S + 5P	⑧	1-6450880-8
.250	.250	3.300	3.400	3.190	3.540	2.195	1.520	.345	5P + 24S + 5P	⑧	1-6450880-7
.250	.250	1.750	1.850	1.640	1.990	1.370	.845	.370	2P + 16S + 2P	⑧	1-6450880-5
.250	.250	6.000	6.100	5.890	6.240	4.145	2.270	.345	8P + 72S + 8P	⑧	1-6450880-1
-	-	.600	.700	.490	.840	-	.270	-	16S	⑧	1-6450880-0
.230	.250	5.495	5.595	5.385	5.735	4.6025	3.345	.370	12P+ 48S+ 8LP	⑧ ⑨	6450880-8
.250	.250	4.400	4.500	4.290	4.640	2.545	2.270	.345	8P + 8S + 8P	⑧	6450880-7
.230	-	1.190	1.290	1.080	1.430	-	1.060	.3775	6LP + 8S	⑧	6450880-6
-	-	1.475	1.575	1.365	1.715	1.320	.595	.370	1P + 24S + 1P	⑧	6450880-5
.230	.250	-	5.595	5.385	5.735	4.6025	3.345	.370	12P+ 48S+ 8LP	⑧	6450880-4
.300	.200	5.150	5.250	5.040	5.390	2.845	1.520	.370	4ACP + 48S + 12HDP	⑧	6450880-3
.230	.250	2.315	2.415	2.205	2.555	1.710	1.035	.3025	6LP + 24S + 3P	⑧	6450880-1
DIM T	DIM S	DIM V	DIM D	DIM U	DIM L	DIM R	DIM W	DIM K	DESCRIPTION		PART NUMBER

THIS DRAWING IS A CONTROLLED DOCUMENT.

DMN: S. ZHAO 25MAY2007
CHK: S. ZHAO 25MAY2007
APVD: S. ZHAO 25MAY2007

DIMENSIONS: INCHES
TOLERANCES UNLESS OTHERWISE SPECIFIED:
0 PLC ±.1
1 PLC ±.01
2 PLC ±.005
3 PLC ±.002
4 PLC ±.002
ANGLES ±.002

MATERIAL: ②
FINISH: -

PRODUCT SPEC: 108-2292
APPLICATION SPEC: 114-13251

WEIGHT: -
CUSTOMER DRAWING

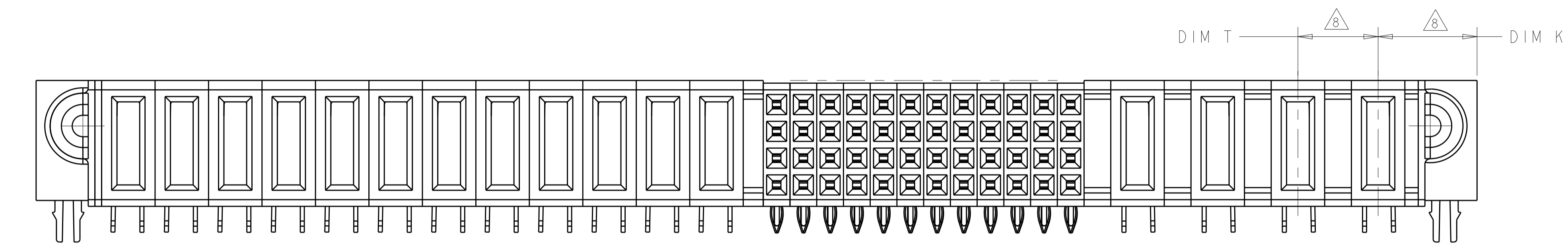
NAME: RIGHT ANGLE RECEPTACLE WITH LP CONTACT AND SHORT END MODULES MULTI-BEAM XLE

SIZE: A1
CAGE CODE: 6450880
DRAWING NO: 100779

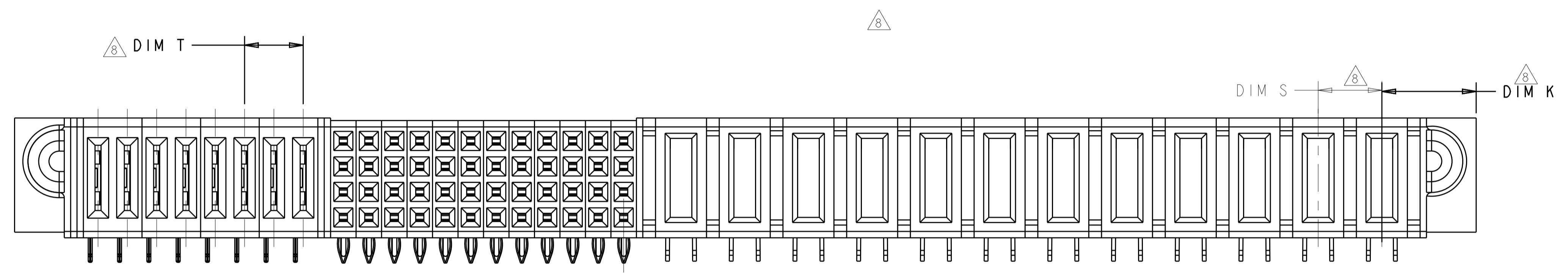
RESTRICTED TO: -
SCALE: 4:1
SHEET: 13 OF 13
REV: F5

TE Connectivity

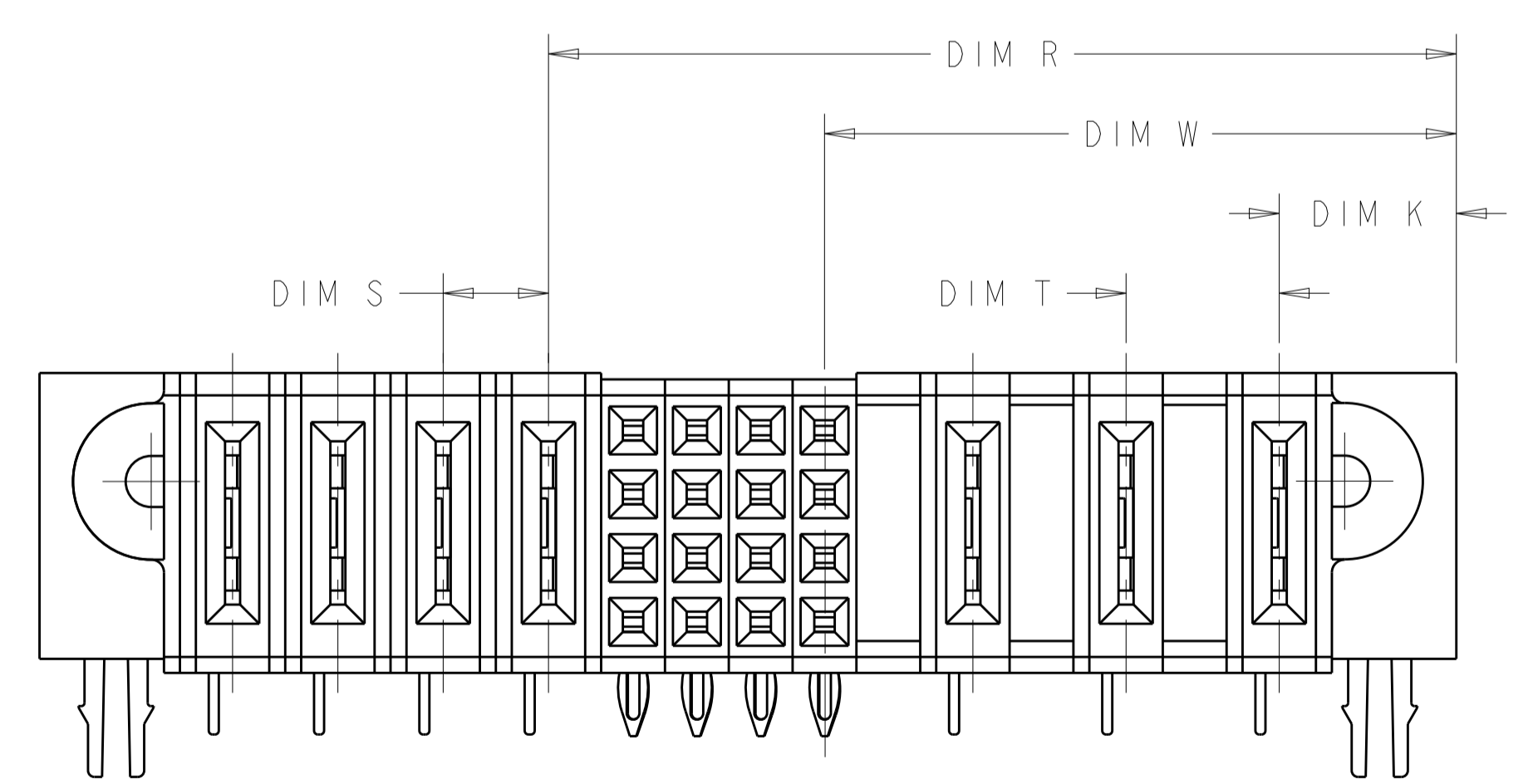
LOC	DIST	REVISIONS					
ES	00	P	LTN	DESCRIPTION	DATE	DWN	APVD
		-		SEE SHEET 1	-	-	-



PART NUMBER 6450880-3
 UNSPECIFIED DIM REFER TO SHEET 1
 SCALE 7:2



PART NUMBER 6450880-4, 2-6450880-3
 UNSPECIFIED DIM REFER TO SHEET 1
 SCALE 7:2

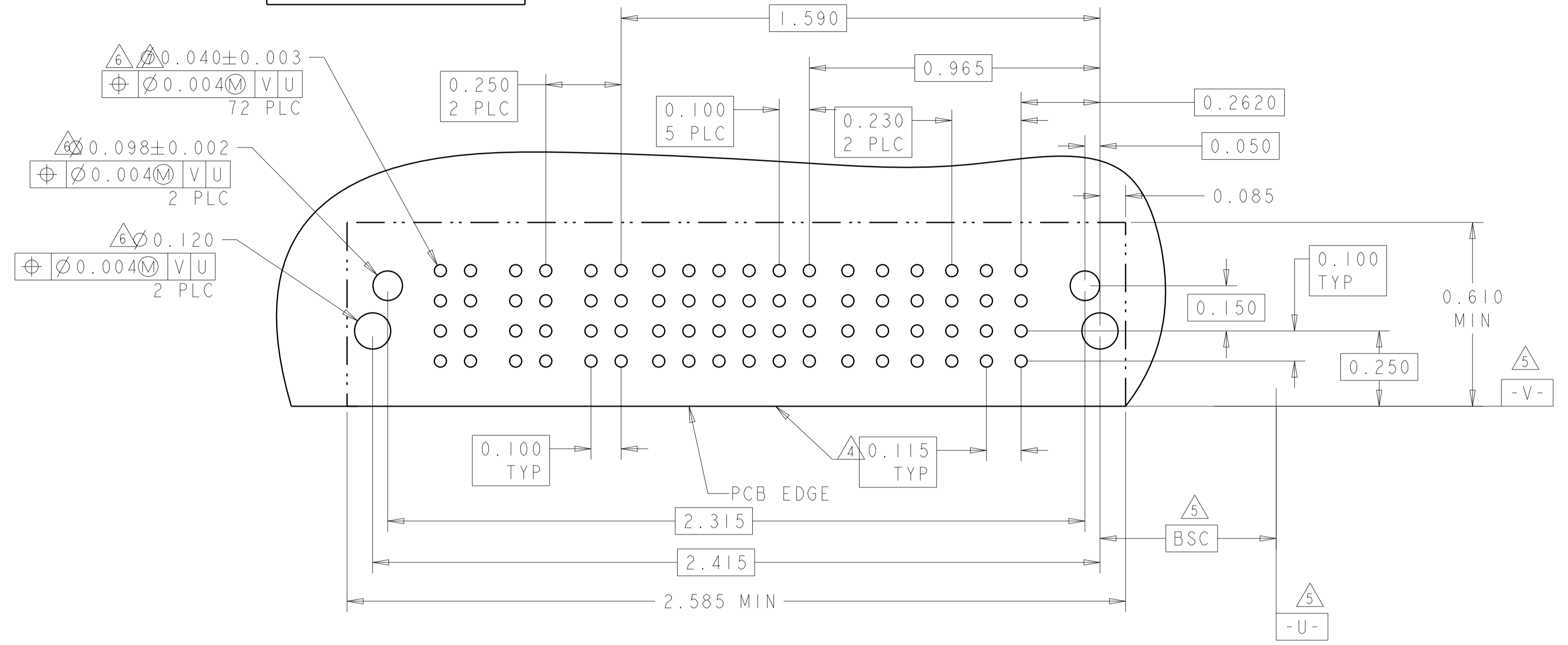


PART NUMBER 2-6450880-0, 2-6450880-7
 UNSPECIFIED DIM REFER TO SHEET 1
 FOR CONFIGURATION LP/S/LP

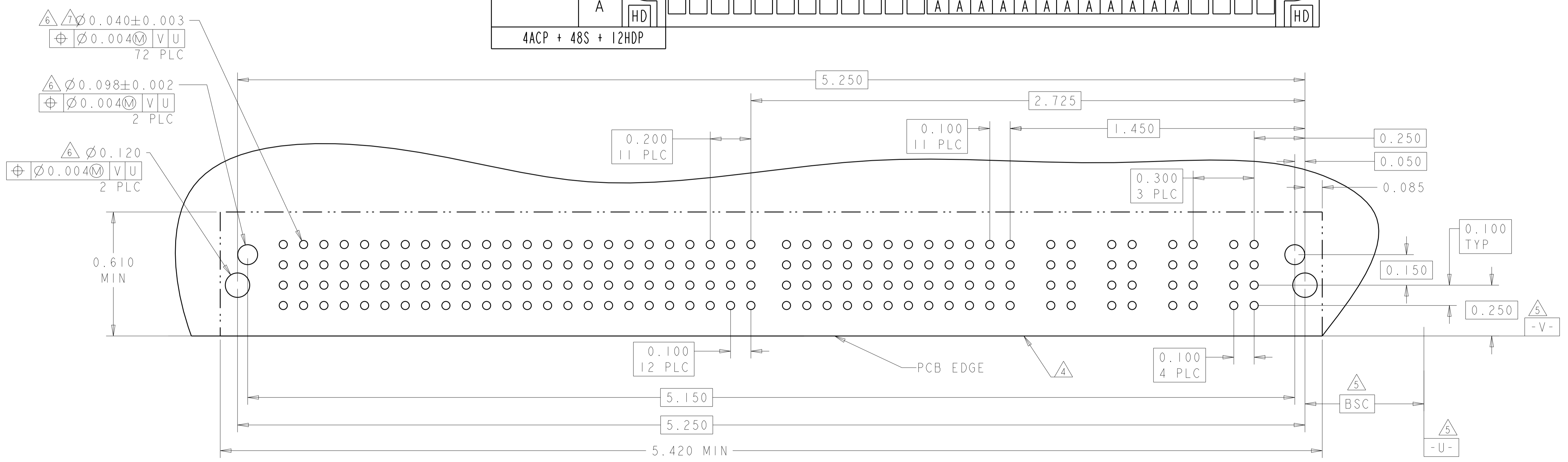
THIS DRAWING IS A CONTROLLED DOCUMENT.		DWN S. ZHAO 25MAY2007	
DIMENSIONS: INCHES		CHK S. ZHAO 25MAY2007	
		APVD S. ZHAO 25MAY2007	
TOLERANCES UNLESS OTHERWISE SPECIFIED: 0 PLC ±.1 1 PLC ±.01 2 PLC ±.005 3 PLC ±.002 4 PLC ±.0020 ANGLES ±.2° FINISH		PRODUCT SPEC 108-2292 APPLICATION SPEC 114-13251 WEIGHT CUSTOMER DRAWING	
MATERIAL		NAME RIGHT ANGLE RECEPTACLE WITH LP CONTACT AND SHORT END MODULES MULTI-BEAM XLE	RESTRICTED TO
		SIZE CAGE CODE DRAWING NO. A100779C=6450880	SCALE 4:1 SHEET 2 OF 13 REV F5

LOC	DIST	REVISIONS			
ES	00	REV	DATE	BY	APPV
		1			
		SEE SHEET 1			

PART NUMBER	ROWS	POWER						SIGNAL						POWER								
		P3	P2	P1	6	5	4	3	2	1	LP6	LP5	LP4	LP3	LP2	LP1	LP6	LP5	LP4	LP3	LP2	LP1
6450880-1	D	RP	RS	RS	D	D	D	D	D	D	LS	LS	LS	LS	LS	LS	LS	LS	LS	LS	LS	LS
	C				C	C	C	C	C	C												
	B				B	B	B	B	B	B												
	A				A	A	A	A	A	A												
6LP + 24S + 3P																						



PART NUMBER	ROWS	POWER												SIGNAL												POWER						
		P16	P15	P14	P13	P12	P11	P10	P9	P8	P7	P6	P5	12	11	10	9	8	7	6	5	4	3	2	1	P4	P3	P2	P1			
6450880-3	D	RS	RS	RS	RS	RS	RS	RS	RS	RS	RS	RS	RS	D	D	D	D	D	D	D	D	D	D	D	D	D	D	D	RS	RS	RS	RS
	C													C	C	C	C	C	C	C	C	C	C	C	C	C	C					
	B													B	B	B	B	B	B	B	B	B	B	B	B	B	B					
	A													A	A	A	A	A	A	A	A	A	A	A	A	A	A					
4ACP + 48S + 12HDP																																



SIGNAL CONTACT ROW D	D
SIGNAL CONTACT ROW C	C
SIGNAL CONTACT ROW B	B
SIGNAL CONTACT ROW A	A
STD LP CONTACT	LS
MFBL POWER CONTACT	RP
STD POWER CONTACT	RS
DESCRIPTION	CODE

THIS DRAWING IS A CONTROLLED DOCUMENT.

DIMENSIONS:	TOLERANCES UNLESS OTHERWISE SPECIFIED:	OWN S. ZHAO 25MAY2007	NAME
INCHES	0 PLC ±.1	CHK S. ZHAO 25MAY2007	RIGHT ANGLE RECEPTACLE WITH LP CONTACT AND SHORT END MODULES MULTI-BEAM XLE
	1 PLC ±.01	APPV S. ZHAO 25MAY2007	SIZE CAGE CODE DRAWING NO
	2 PLC ±.01		A100779C=6450880
	3 PLC ±.005		RESTRICTED TO
	4 PLC ±.002		
	ANGLES ±.020		
MATERIAL	FINISH	PRODUCT SPEC 108-2292	SCALE 4:1 SHEET 3 OF 13 REV F5
		APPLICATION SPEC 114-13251	
		WEIGHT	
		CUSTOMER DRAWING	

LOC		DIST		REVISONS	
P	LTN	DESCRIPTION	DATE	DMN	APVD
		SEE SHEET 1			

PART NUMBER	ROWS	POWER								SIGNAL											POWER											
		LP8	LP7	LP6	LP5	LP4	LP3	LP2	LP1	I2	I1	I0	9	8	7	6	5	4	3	2	1	PI2	PI1	PI0	P9	P8	P7	P6	P5	P4	P3	P2
6450880-4	D									D	D	D	D	D	D	D	D	D	D	D												
	C	LS	LS	LS	LS	LS	LS	LS	LS	C	C	C	C	C	C	C	C	C	C	RS	RS	RS	RS	RS	RS	RS	RS	RS	RS	RS	RS	
	B									B	B	B	B	B	B	B	B	B	B													
	A									A	A	A	A	A	A	A	A	A	A													

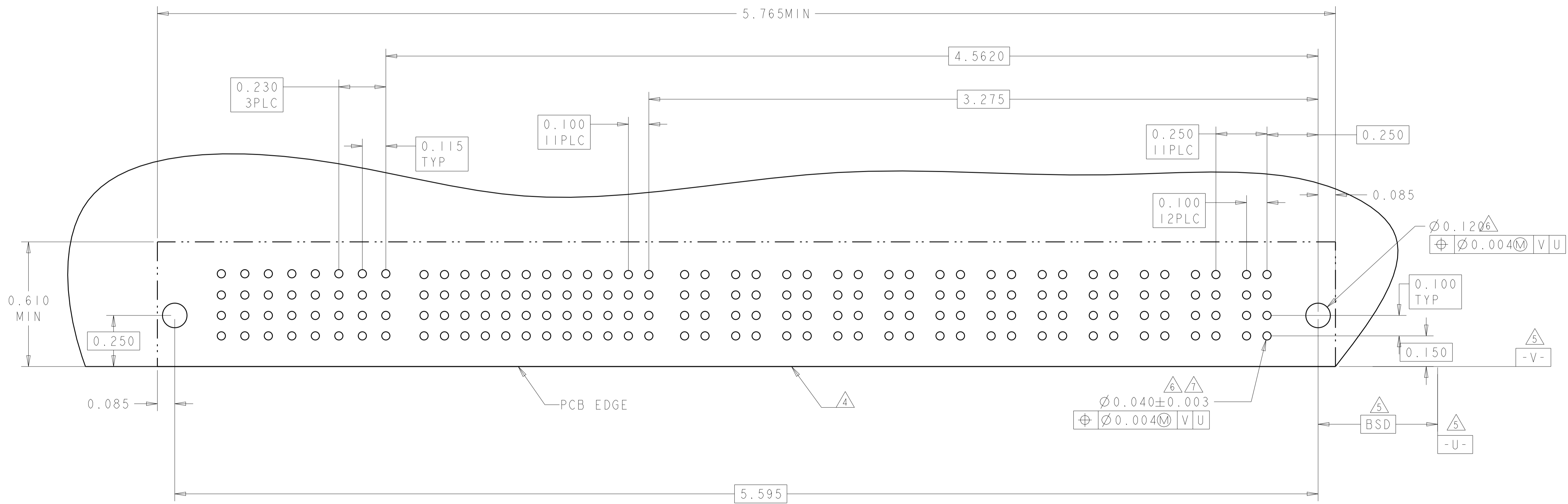
12P + 48S + 8LP

PART NUMBER	ROWS	POWER								SIGNAL											POWER										
		LP8	LP7	LP6	LP5	LP4	LP3	LP2	LP1	I2	I1	I0	9	8	7	6	5	4	3	2	1	PI2	PI1	PI0	P9	P8	P7	P6	P5	P4	P3
6450880-8	D									D	D	D	D	D	D	D	D	D	D												
	C	LS	LS	LS	LS	LS	LS	LS	LS	C	C	C	C	C	C	C	C	C	C	RS	RS	RS	RS	RS	RS	RS	RS	RS	RS	RS	RS
	B									B	B	B	B	B	B	B	B	B	B												
	A									A	A	A	A	A	A	A	A	A	A												

12P + 48S + 8LP

PART NUMBER	ROWS	POWER								SIGNAL											POWER										
		LP8	LP7	LP6	LP5	LP4	LP3	LP2	LP1	I2	I1	I0	9	8	7	6	5	4	3	2	1	PI2	PI1	PI0	P9	P8	P7	P6	P5	P4	P3
2-6450880-3	D									D	D	D	D	D	D	D	D	D	D												
	C	LS	LS	LS	LS	LS	LS	LS	LS	C	C	C	C	C	C	C	C	C	C	RS	RS	RS	RS	RS	RS	RS	RS	RS	RS	RS	RS
	B									B	B	B	B	B	B	B	B	B	B												
	A									A	A	A	A	A	A	A	A	A	A												

12P + 48S + 8LP



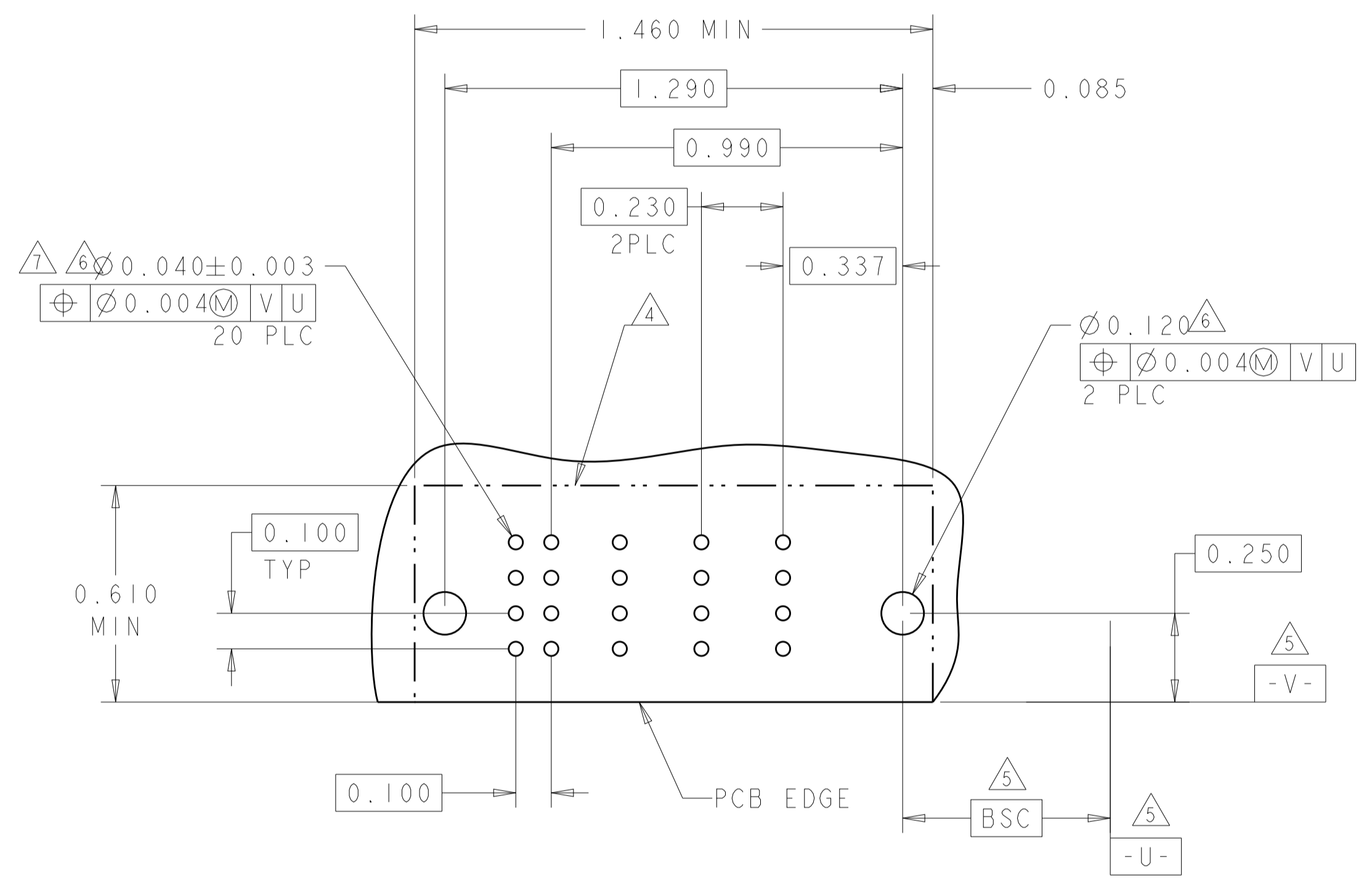
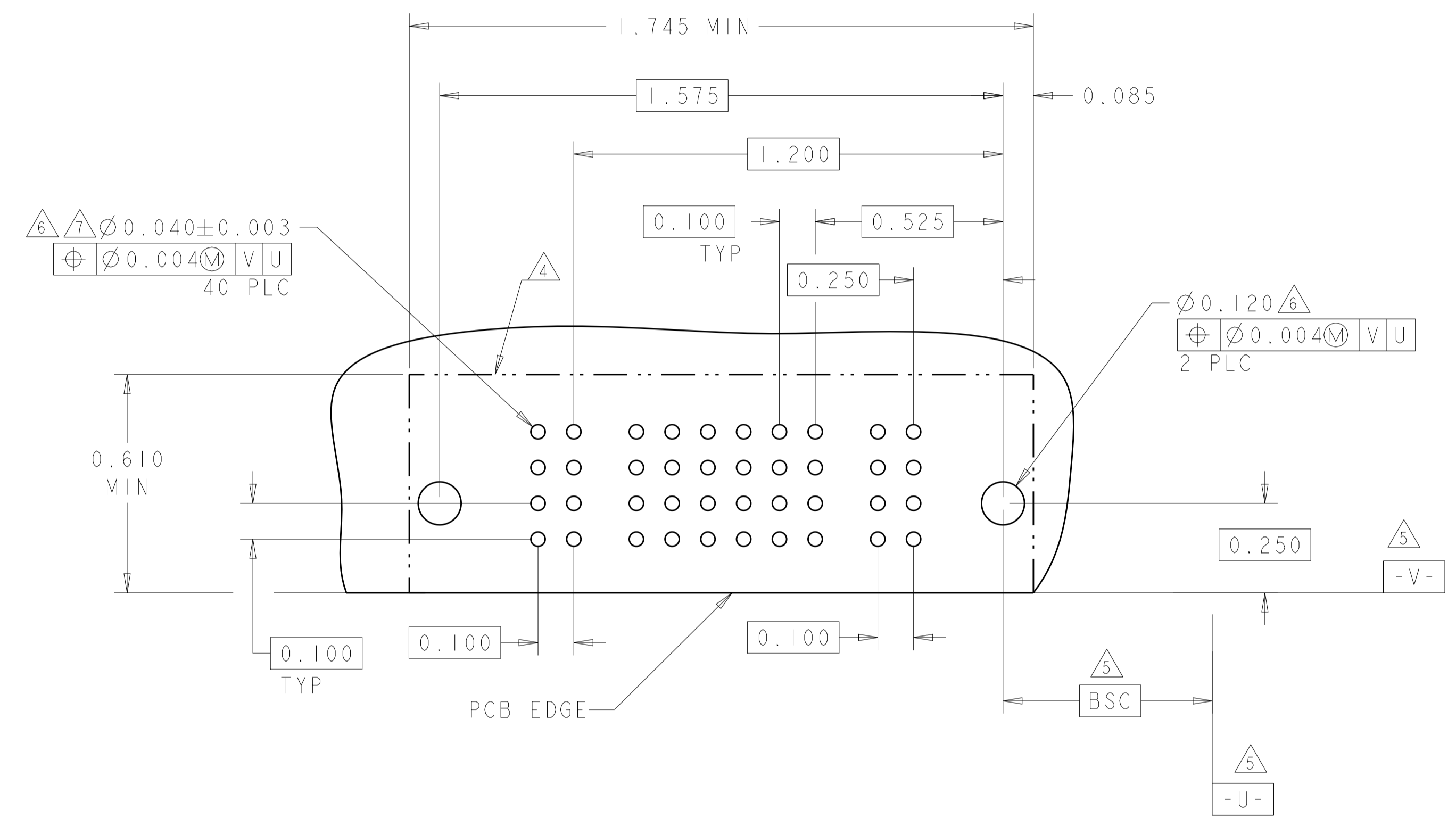
PCB LAYOUT FOR P/N: 6450880-4 ; 6450880-8 AND 2-6450880-3

THIS DRAWING IS A CONTROLLED DOCUMENT.		DMN	S. ZHAO	25MAY2007
		CHK	S. ZHAO	25MAY2007
DIMENSIONS:		APVD	S. ZHAO	25MAY2007
INCHES		NAME		
0 PLC ±.1 2 PLC ±.01 5 PLC ±.005 4 PLC ±.0020 ANGLES ±.7°		PRODUCT SPEC 108-2292 APPLICATION SPEC 114-13251		
TOLERANCES UNLESS OTHERWISE SPECIFIED:		RESTRICTED TO A100779C=6450880		
MATERIAL	FINISH	WEIGHT	SCALE 4:1 SHEET 4 OF 13 REV F5	
CUSTOMER DRAWING				

LOC		DIST		REVISIONS			
P	LTN	DESCRIPTION	DATE	DMN	APVD		
-	-	SEE SHEET 1	-	-	-		

PART NUMBER	ROWS	POWER		SIGNAL						POWER		
		P2	P1	6	5	4	3	2	1	P2	P1	
6450880-5	D	RS	RS	D	D	D	D	D	D	D	RS	RS
	C			C	C	C	C	C				
	B			B	B	B	B	B				
	A			A	A	A	A	A				
IP + 24S + IP												

PART NUMBER	ROWS	SIGNAL		POWER					
		2	1	LP6	LP5	LP4	LP3	LP2	LP1
6450880-6	D	D	D	LS	LS	LS	LS	LS	LS
	C	C							
	B	B							
	A	A							
6LP + 8S									



THIS DRAWING IS A CONTROLLED DOCUMENT.

DIMENSIONS: INCHES	TOLERANCES UNLESS OTHERWISE SPECIFIED:	DMN S. ZHAO 25MAY2007	CHK S. ZHAO 25MAY2007	APVD S. ZHAO 25MAY2007	NAME
	0 PLC ±.1 1 PLC ±.1 2 PLC ±.01 3 PLC ±.005 4 PLC ±.002 ANGLES ±.2°	PRODUCT SPEC	108-2292	APPLICATION SPEC	114-13251
MATERIAL	FINISH	WEIGHT	114-13251	CUSTOMER DRAWING	SCALE 4:1 SHEET 5 OF 13 REV F5

STE TE Connectivity

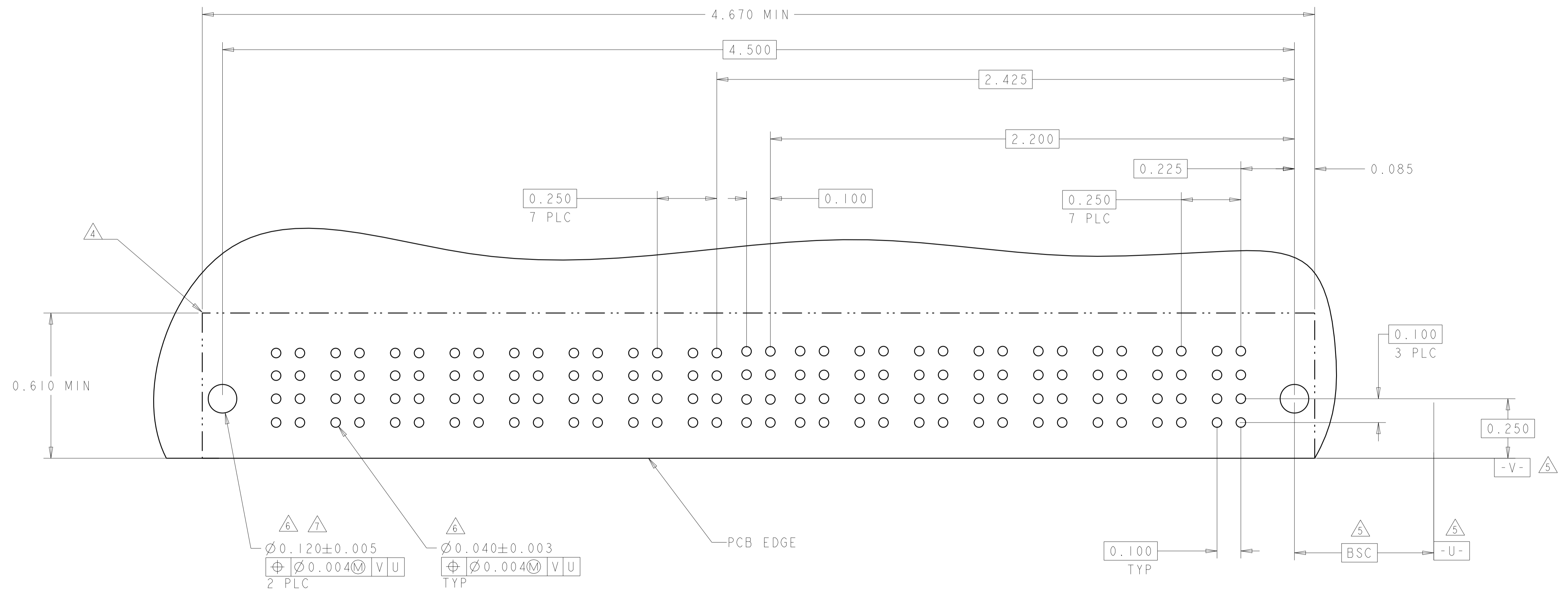
RIGHT ANGLE RECEPTACLE WITH LP CONTACT AND SHORT END MODULES MULTI-BEAM XLE

SIZE CAGE CODE DRAWING NO. RESTRICTED TO
 A100779C=6450880

LOC		DIST		REVISIONS			
ES	00	P	LTM	DESCRIPTION	DATE	DWN	APVD
		-		SEE SHEET 1			

PART NUMBER	ROWS	POWER									SIGNAL		POWER								
		P16	P15	P14	P13	P12	P11	P10	P9			P8	P7	P6	P5	P4	P3	P2	P1		
6450880-7	D C B A	RS	RS	RS	RS	RS	RS	RS	RS	RS	D	D	RS	RS	RS	RS	RS	RS	RS	RS	
											C	C									
												B	B								
												A	A								
8P + 8S + 8P																					

(DI)



THIS DRAWING IS A CONTROLLED DOCUMENT.

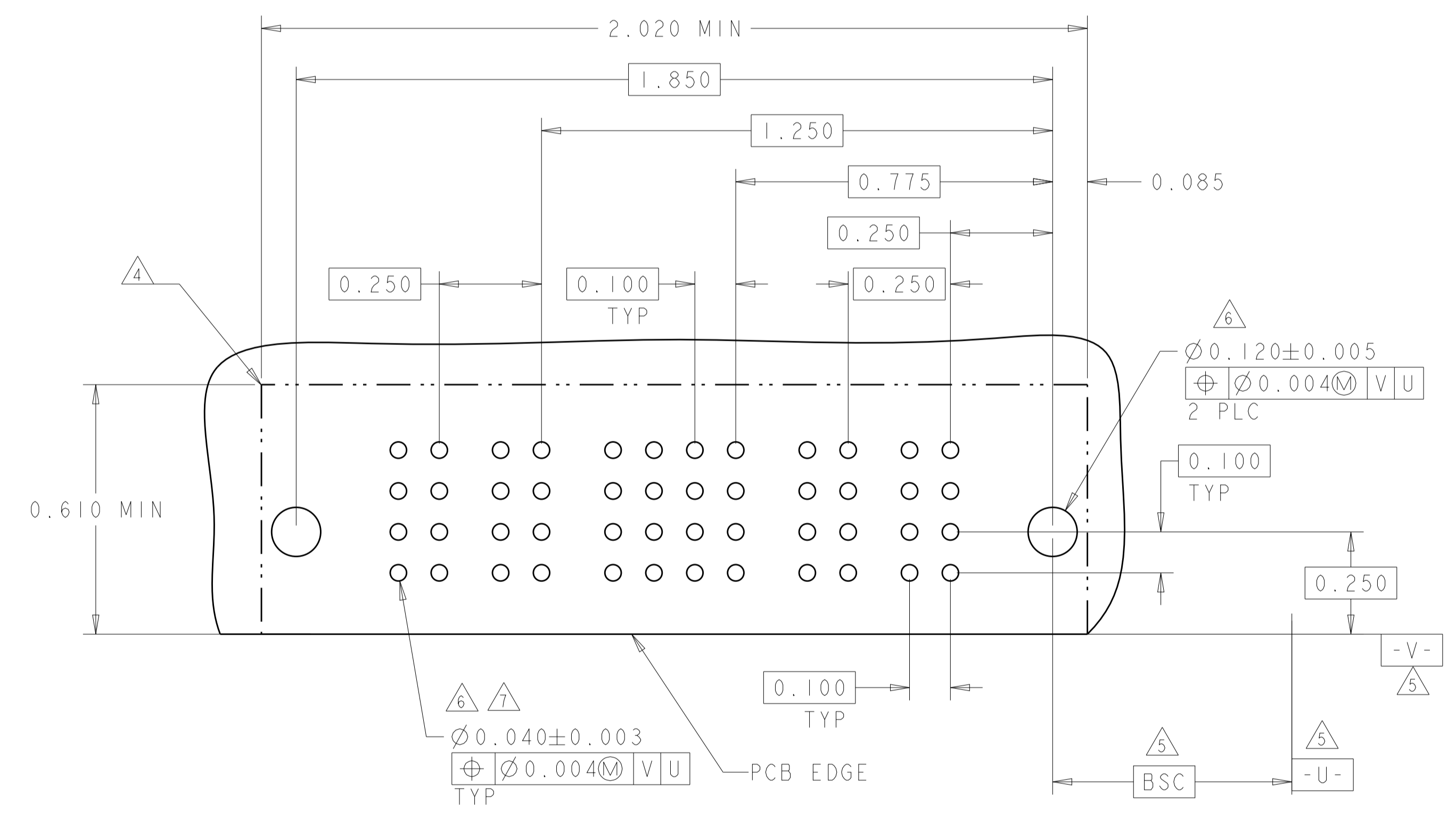
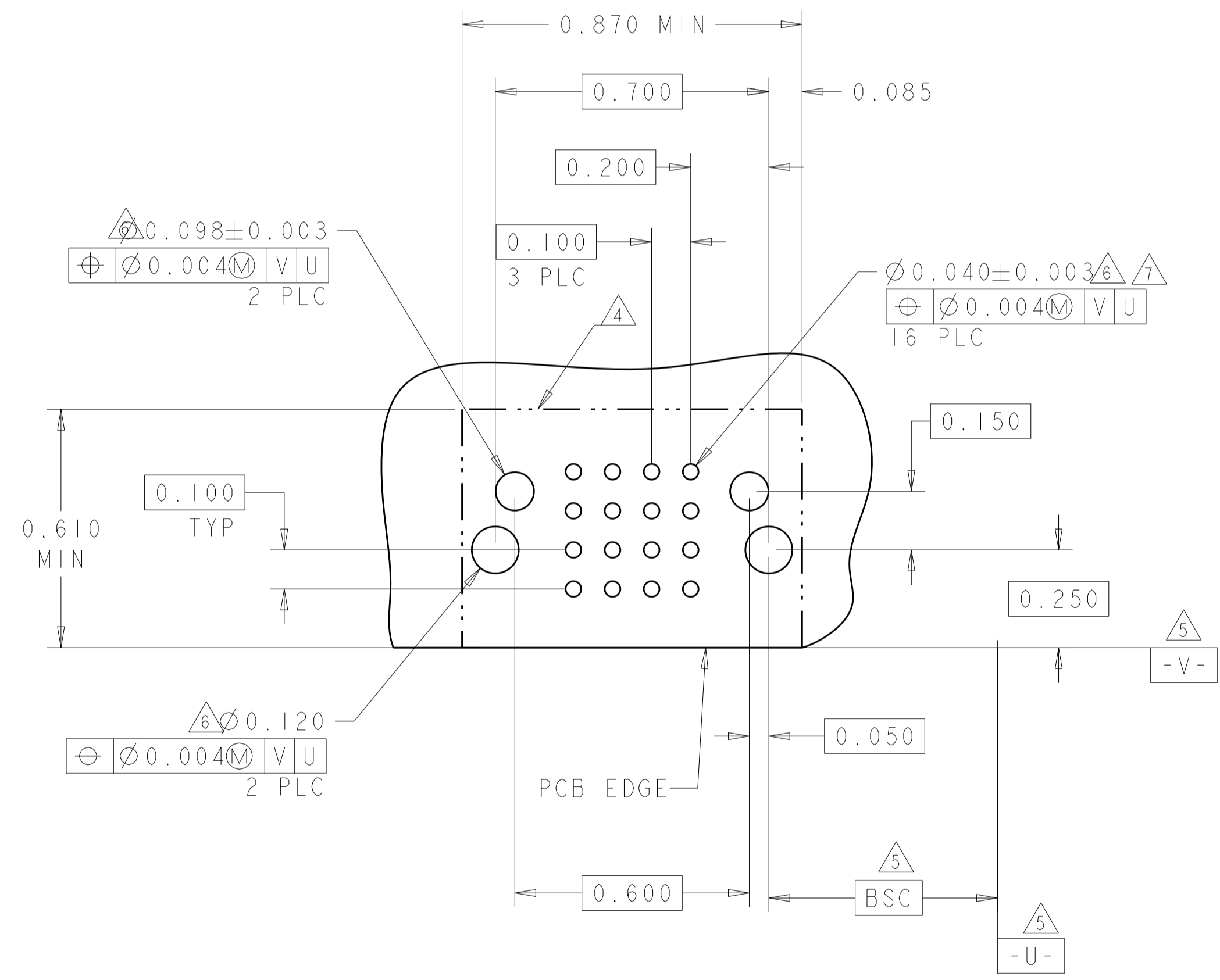
DWN: S. ZHAO	25MAY2007	TE Connectivity NAME: RIGHT ANGLE RECEPTACLE WITH LP CONTACT AND SHORT END MODULES MULTI-BEAM XLE
CHK: S. ZHAO	25MAY2007	
APPV: S. ZHAO	25MAY2007	
DATE: S. ZHAO	25MAY2007	
DIMENSIONS: INCHES	TOLERANCES UNLESS OTHERWISE SPECIFIED:	PRODUCT SPEC: 108-2292 APPLICATION SPEC: 114-13251 WEIGHT: - SCALE: 4:1 SHEET 6 OF 13 REV F5
0 PLC ±.1 1 PLC ±.01 2 PLC ±.01 3 PLC ±.005 4 PLC ±.002 ANGLES ±.020 FINISH: -	0 PLC ±.1 1 PLC ±.01 2 PLC ±.01 3 PLC ±.005 4 PLC ±.002 ANGLES ±.020 FINISH: -	SIZE: A1 CAGE CODE: 00779 DRAWING NO: C=6450880 RESTRICTED TO: -

CUSTOMER DRAWING

LOC	DIST	REVISIONS			
P	LTN	DESCRIPTION	DATE	DMN	APVD
-	-	SEE SHEET 1	-	-	-

PART NUMBER	ROWS	SIGNAL			
		4	3	2	1
I-6450880-0	D	D	D	D	D
	C	C	C	C	C
	B	B	B	B	B
	A	A	A	A	A
16S		HD			HD

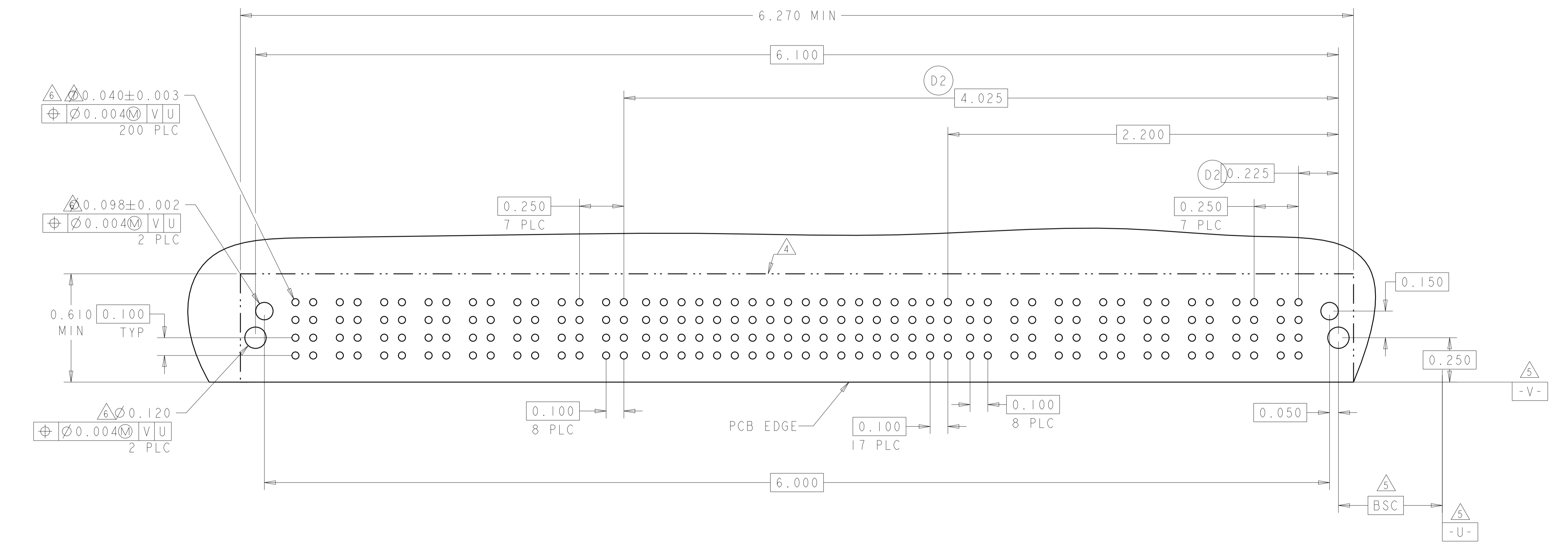
PART NUMBER	ROWS	POWER		SIGNAL				POWER	
		P4	P3	4	3	2	1	P2	P1
I-6450880-5	D	RS	RS	D	D	D	D	RS	RS
	C			C	C	C			
	B			B	B	B			
	A			A	A	A			
2P + 16S + 2P									



THIS DRAWING IS A CONTROLLED DOCUMENT.		DMN S. ZHAO 25MAY2007	 TE Connectivity
DIMENSIONS: INCHES		CHK S. ZHAO 25MAY2007	
TOLERANCES UNLESS OTHERWISE SPECIFIED:		APVD S. ZHAO 25MAY2007	
0 PLC ±.1 1 PLC ±.1 2 PLC ±.01 3 PLC ±.005 4 PLC ±.002 ANGLES ±.020		NAME RIGHT ANGLE RECEPTACLE WITH LP CONTACT AND SHORT END MODULES MULTI-BEAM XLE PRODUCT SPEC 108-2292 APPLICATION SPEC 114-13251 WEIGHT CUSTOMER DRAWING	
MATERIAL	FINISH	SIZE CAGE CODE DRAWING NO. A100779C=6450880	RESTRICTED TO
		SCALE 4:1 SHEET 7 OF 13	REV F5

PART NUMBER	ROWS	POWER							SIGNAL														POWER														
		P16	P15	P14	P13	P12	P11	P10	P9	18	17	16	15	14	13	12	11	10	9	8	7	6	5	4	3	2	1	P8	P7	P6	P5	P4	P3	P2	P1		
I-6450880-1	D								D	D	D	D	D	D	D	D	D	D	D	D	D	D	D	D	D	D											
	C								C	C	C	C	C	C	C	C	C	C	C	C	C	C	C	C	C	C											
	B								B	B	B	B	B	B	B	B	B	B	B	B	B	B	B	B	B	B											
	A	HD							A	A	A	A	A	A	A	A	A	A	A	A	A	A	A	A	A	A											

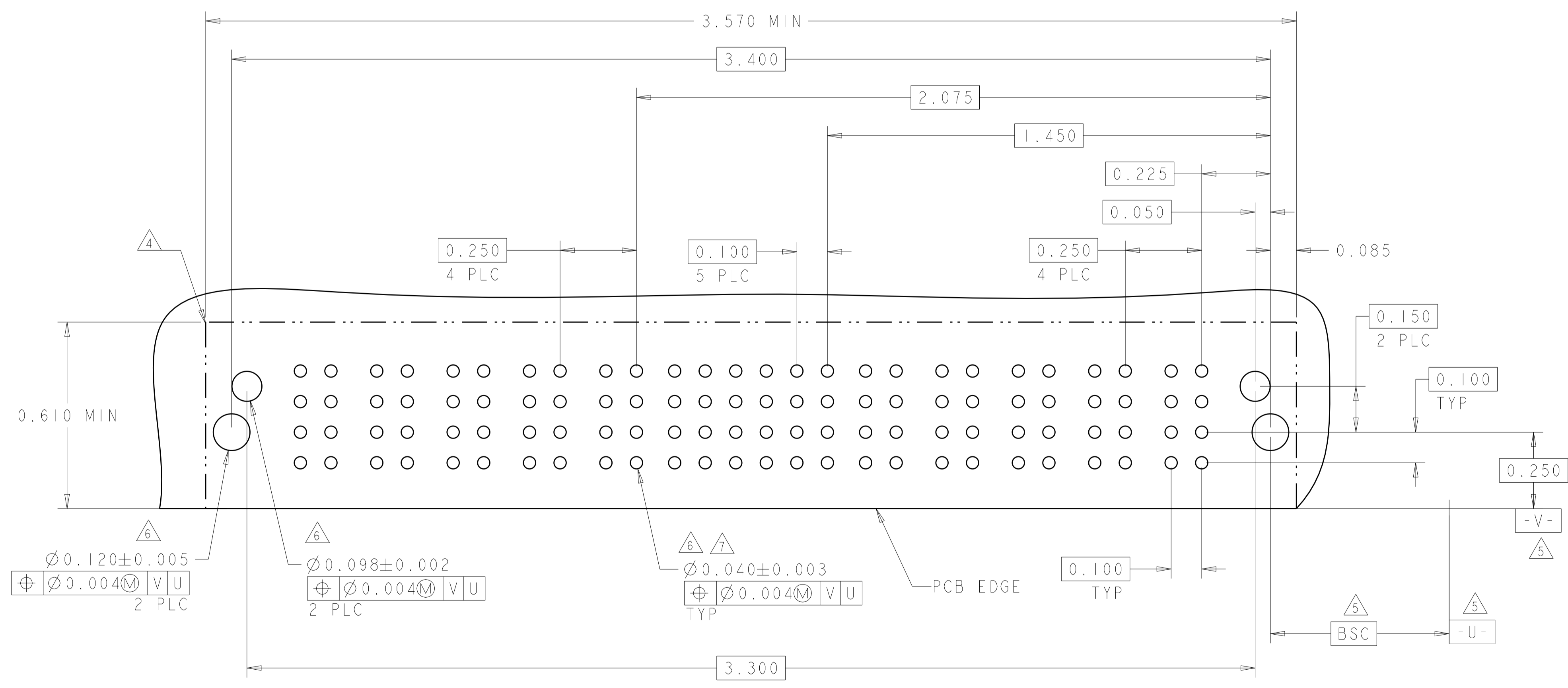
8P + 72S + 8P



THIS DRAWING IS A CONTROLLED DOCUMENT. DWN: S. ZHAO 25MAY2007, CHK: S. ZHAO 25MAY2007, APVD: S. ZHAO 25MAY2007. DIMENSIONS: INCHES. TOLERANCES UNLESS OTHERWISE SPECIFIED: 0 PLC ±.1, 1 PLC ±.1, 2 PLC ±.01, 3 PLC ±.005, 4 PLC ±.0020. MATERIAL: FINISH: 4895 (3/11). THIS DRAWING IS A CONTROLLED DOCUMENT. DWN: S. ZHAO 25MAY2007, CHK: S. ZHAO 25MAY2007, APVD: S. ZHAO 25MAY2007. DIMENSIONS: INCHES. TOLERANCES UNLESS OTHERWISE SPECIFIED: 0 PLC ±.1, 1 PLC ±.1, 2 PLC ±.01, 3 PLC ±.005, 4 PLC ±.0020. MATERIAL: FINISH: 4895 (3/11). CUSTOMER DRAWING. SCALE: 4:1, SHEET: 8 OF 13, REV: F5.

LOC	DIST	REVISIONS					
		P	LTN	DESCRIPTION	DATE	DMN	APVD
ES	00	-	-	SEE SHEET 1	-	-	-

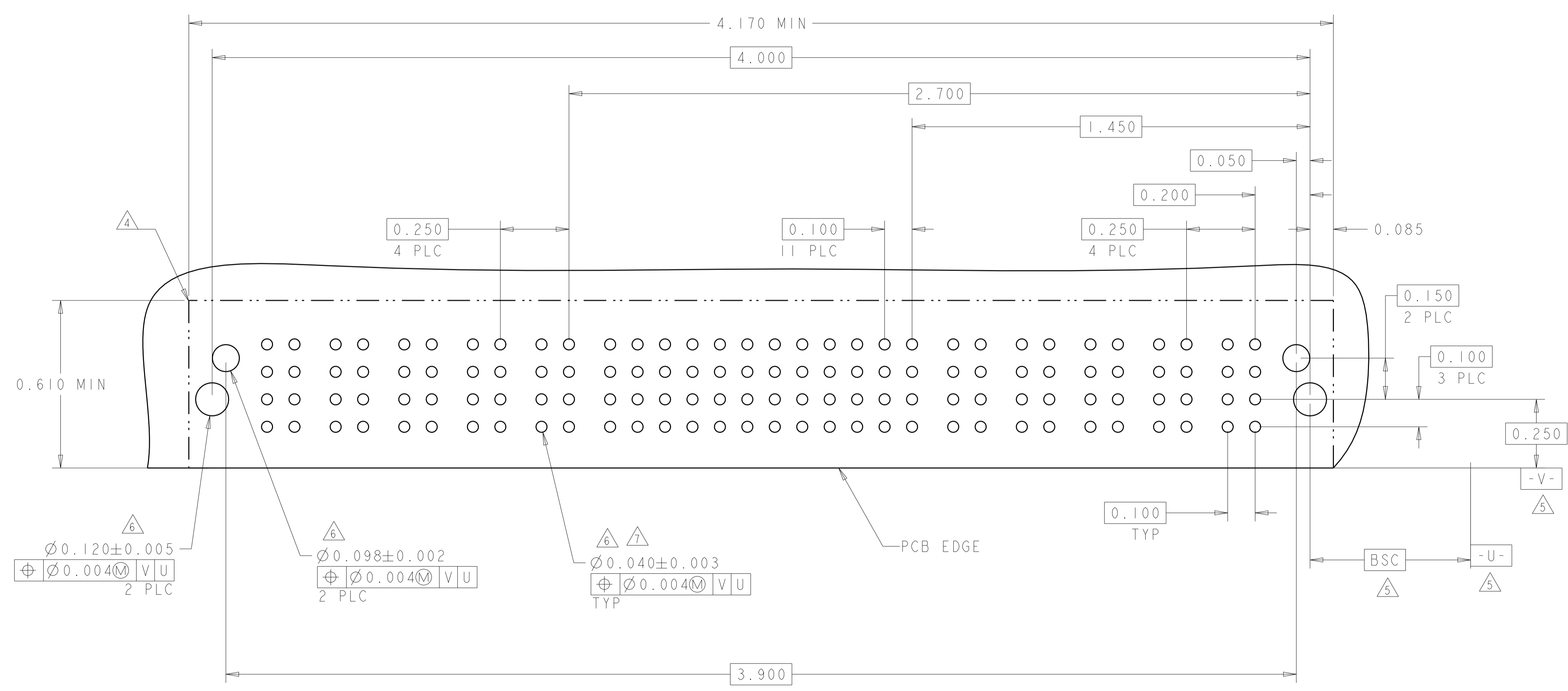
PART NUMBER	ROWS	POWER					SIGNAL						POWER				
		P10	P9	P8	P7	P6	6	5	4	3	2	1	P5	P4	P3	P2	P1
1-6450880-7	D C B A	RS	RS	RS	RS	RS	D	D	D	D	D	D	RS	RS	RS	RS	RS
							C	C	C	C	C	C					
							B	B	B	B	B	B					
							A	A	A	A	A	A					
5P + 24S + 5P																	



THIS DRAWING IS A CONTROLLED DOCUMENT.		DMN: S. ZHAO 25MAY2007	STE TE Connectivity												
DIMENSIONS: INCHES		CHK: S. ZHAO 25MAY2007													
TOLERANCES UNLESS OTHERWISE SPECIFIED:		APVD: S. ZHAO 25MAY2007	NAME: RIGHT ANGLE RECEPTACLE WITH LP CONTACT AND SHORT END MODULES MULTI-BEAM XLE												
<table border="1"> <tr><td>0 PLC</td><td>±</td></tr> <tr><td>1 PLC</td><td>±.1</td></tr> <tr><td>2 PLC</td><td>±.01</td></tr> <tr><td>3 PLC</td><td>±.005</td></tr> <tr><td>4 PLC</td><td>±.0020</td></tr> <tr><td>ANGLES</td><td>±.2°</td></tr> </table>		0 PLC	±	1 PLC	±.1	2 PLC	±.01	3 PLC	±.005	4 PLC	±.0020	ANGLES	±.2°	PRODUCT SPEC: 108-2292	SIZE: A1
0 PLC	±														
1 PLC	±.1														
2 PLC	±.01														
3 PLC	±.005														
4 PLC	±.0020														
ANGLES	±.2°														
MATERIAL: -		APPLICATION SPEC: 114-13251	CAGE CODE: -												
FINISH: -		WEIGHT: -	DRAWING NO: 6450880												
		CUSTOMER DRAWING	SCALE: 4:1 SHEET 9 OF 13 REV: F5												

LOC	DIST	REVISIONS					
		P	LTN	DESCRIPTION	DATE	DWN	APVD
ES	00	-	-	SEE SHEET 1	-	-	-

PART NUMBER	ROWS	POWER					SIGNAL										POWER										
		P10	P9	P8	P7	P6	12	11	10	9	8	7	6	5	4	3	2	1	P5	P4	P3	P2	P1				
I-6450880-8	D C B A	RS	RS	RS	RS	RS	D	D	D	D	D	D	D	D	D	D	D	D	D	RS	RS	RS	RS	RS			
							C	C	C	C	C	C	C	C	C	C	C	C	C						C	C	
							B	B	B	B	B	B	B	B	B	B	B	B	B						B	B	B
							A	A	A	A	A	A	A	A	A	A	A	A	A						A	A	A
5P + 48S + 5P		HD																									

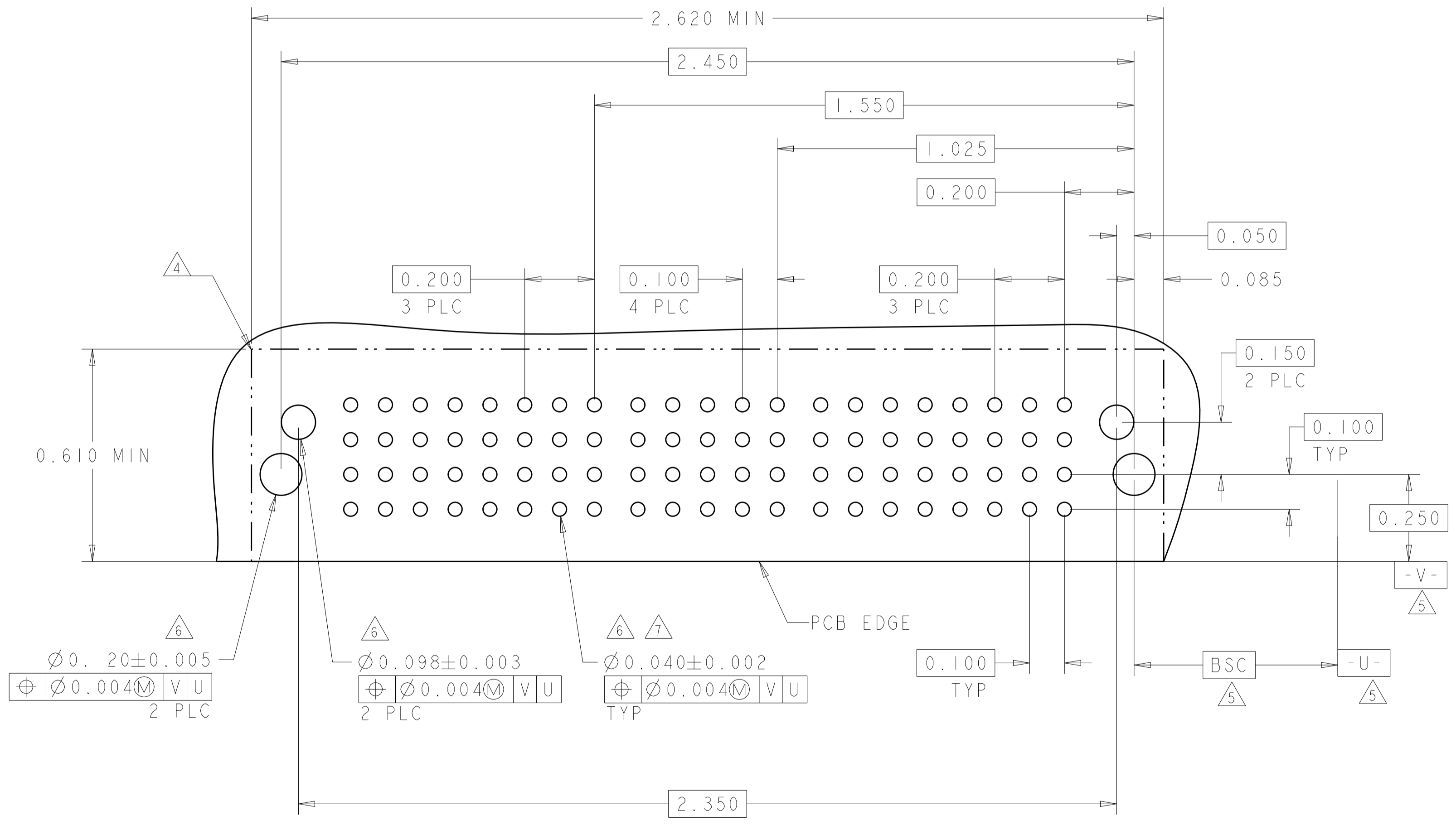


THIS DRAWING IS A CONTROLLED DOCUMENT.

DWN: S. ZHAO	25MAY2007	TE Connectivity NAME: RIGHT ANGLE RECEPTACLE WITH LP CONTACT AND SHORT END MODULES MULTI-BEAM XLE SIZE: A1 CAGE CODE: 100779 DRAWING NO: C=6450880 RESTRICTED TO: -
CHK: S. ZHAO	25MAY2007	
APPD: S. ZHAO	25MAY2007	
APVD: S. ZHAO	25MAY2007	
DIMENSIONS: INCHES	TOLERANCES UNLESS OTHERWISE SPECIFIED:	PRODUCT SPEC: 108-2292 APPLICATION SPEC: 114-13251 WEIGHT: - SCALE: 4:1 SHEET: 10 OF 13 REV: F5
0 PLC ±. 1 PLC ±.1 2 PLC ±.01 3 PLC ±.005 4 PLC ±.002 ANGLES ±.7°	MATERIAL: - FINISH: -	CUSTOMER DRAWING

LOC		DIST		REVISIONS				
ES	00	P	LTH	DESCRIPTION	DATE	DWN	APVD	
-	-	-	-	SEE SHEET 1	-	-	-	

PART NUMBER	ROWS	POWER				SIGNAL					POWER			
		P8	P7	P6	P5	5	4	3	2	1	P4	P3	P2	P1
1-6450880-9	D	RS	RS	RS	RS	D	D	D	D	D	RS	RS	RS	RS
	C					C	C	C	C					
	B					B	B	B	B					
	A					A	A	A	A					
4HDP + 20S + 4HDP														



THIS DRAWING IS A CONTROLLED DOCUMENT.

DIMENSIONS: INCHES	TOLERANCES UNLESS OTHERWISE SPECIFIED:	DWN S. ZHAO 25MAY2007	CHK S. ZHAO 25MAY2007	APVD S. ZHAO 25MAY2007	NAME
	0 PLC ±.1 1 PLC ±.1 2 PLC ±.01 3 PLC ±.005 4 PLC ±.002 ANGLES ±.7°	PRODUCT SPEC	108-2292	APPLICATION SPEC	114-13251
MATERIAL	FINISH	WEIGHT	114-13251	CAGE CODE	DRAWING NO
				A100779	C=6450880
CUSTOMER DRAWING		SCALE	4:1	SHEET	11 OF 13
		REV	F5		

STE TE Connectivity

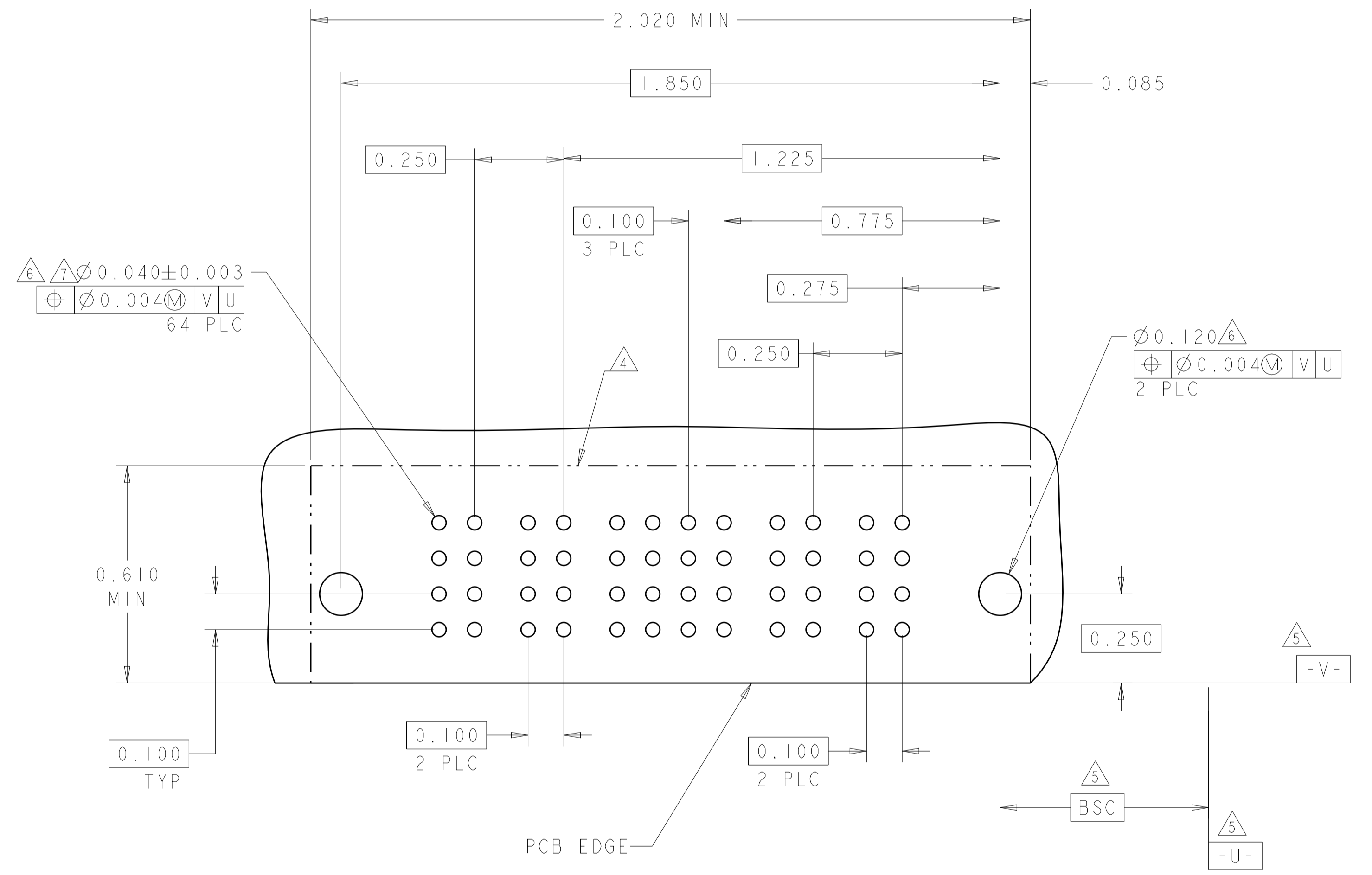
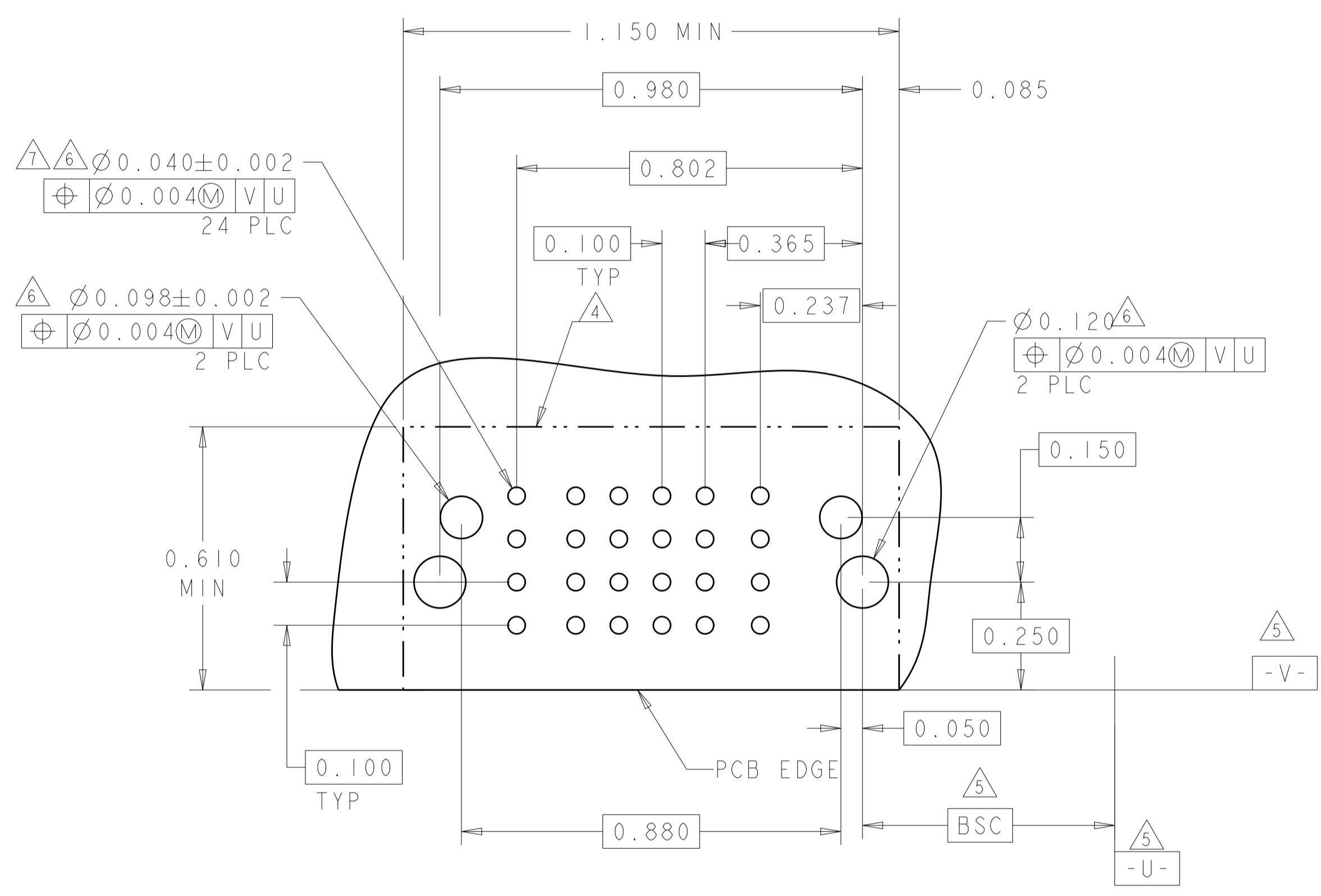
RIGHT ANGLE RECEPTACLE WITH LP CONTACT AND SHORT END MODULES MULTI-BEAM XLE

LOC	DIST	REVISIONS			
P	LTH	DESCRIPTION	DATE	DNW	APVD
-	-	SEE SHEET 1	-	-	-

PART NUMBER	ROWS	POWER	SIGNAL				POWER
			P2	4	3	2	
2-6450880-0	D	LS	D	D	D	D	LS
	C		C	C	C		
	B		B	B	B		
	A		A	A	A		
ILP + 16S + ILP							

PART NUMBER	ROWS	POWER	SIGNAL				POWER
			P4	P3	4	3	
2-6450880-6	D	RS	D	D	D	D	RS
	C		C	C	C		
	B		B	B	B		
	A		A	A	A		
2P + 16S + 2P							

E7



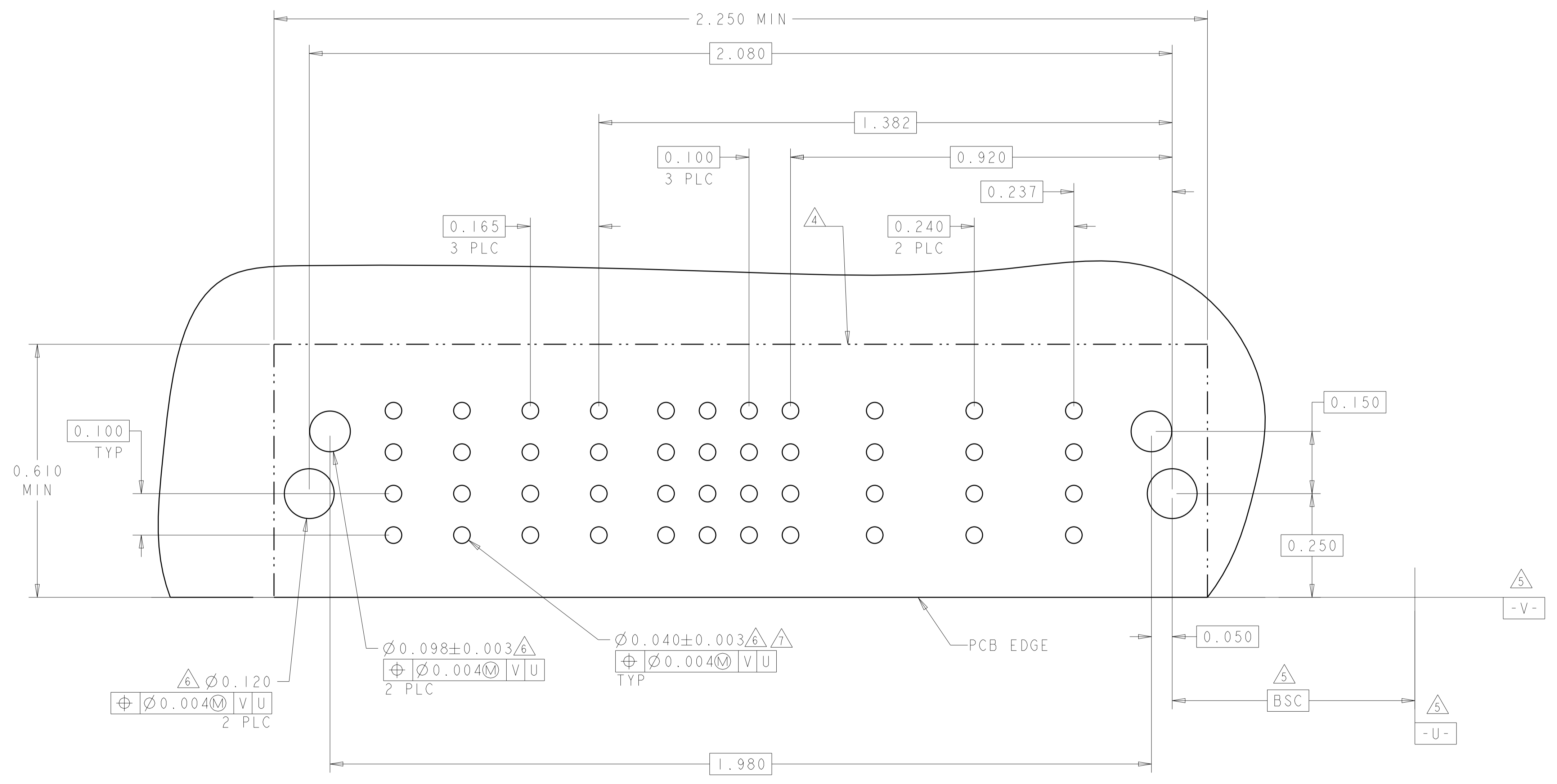
THIS DRAWING IS A CONTROLLED DOCUMENT.

DIMENSIONS: INCHES	TOLERANCES UNLESS OTHERWISE SPECIFIED: 0 PLC ±.1 1 PLC ±.1 2 PLC ±.01 3 PLC ±.005 4 PLC ±.002 ANGLES ±.2°	FINISH	DNW S. ZHAO 25MAY2007 CHK S. ZHAO 25MAY2007 APVD S. ZHAO 25MAY2007	NAME RIGHT ANGLE RECEPTACLE WITH LP CONTACT AND SHORT END MODULES MULTI-BEAM XLE	RESTRICTED TO
MATERIAL			PRODUCT SPEC 108-2292 APPLICATION SPEC 114-13251 WEIGHT	SIZE CAGE CODE DRAWING NO A100779C=6450880	
CUSTOMER DRAWING			SCALE 4:1	SHEET 12 OF 13	REV F5

STE TE Connectivity

LOC		DIST		REVISIONS			
ES	00	P	LTH	DESCRIPTION	DATE	DWN	APVD
		-		SEE SHEET 1			

PART NUMBER	ROWS	POWER				SIGNAL				POWER		
		LP7	LP6	LP5	LP4	4	3	2	1	LP3	LP2	LP1
2-6450880-7	D	LS	LS	LS	LS	D	D	D	D	LS	LS	LS
	C					C	C	C				
	B					B	B	B				
	A					A	A	A				
3LP + 16S + 4LP		HD										



THIS DRAWING IS A CONTROLLED DOCUMENT.		DWN S. ZHAO 25MAY2007	STE TE Connectivity
DIMENSIONS: INCHES		CHK S. ZHAO 25MAY2007	
TOLERANCES UNLESS OTHERWISE SPECIFIED:		APVD S. ZHAO 25MAY2007	NAME
0 PLC ±.1		PRODUCT SPEC	RIGHT ANGLE RECEPTACLE WITH LP CONTACT AND SHORT END MODULES MULTI-BEAM XLE
2 PLC ±.01		108-2292	SIZE
3 PLC ±.005		APPLICATION SPEC	A100779C=6450880
4 PLC ±.0020		114-13251	RESTRICTED TO
ANGLES ±.2°	FINISH	WEIGHT	
MATERIAL		CUSTOMER DRAWING	SCALE 4:1 SHEET 13 OF 13 REV F5