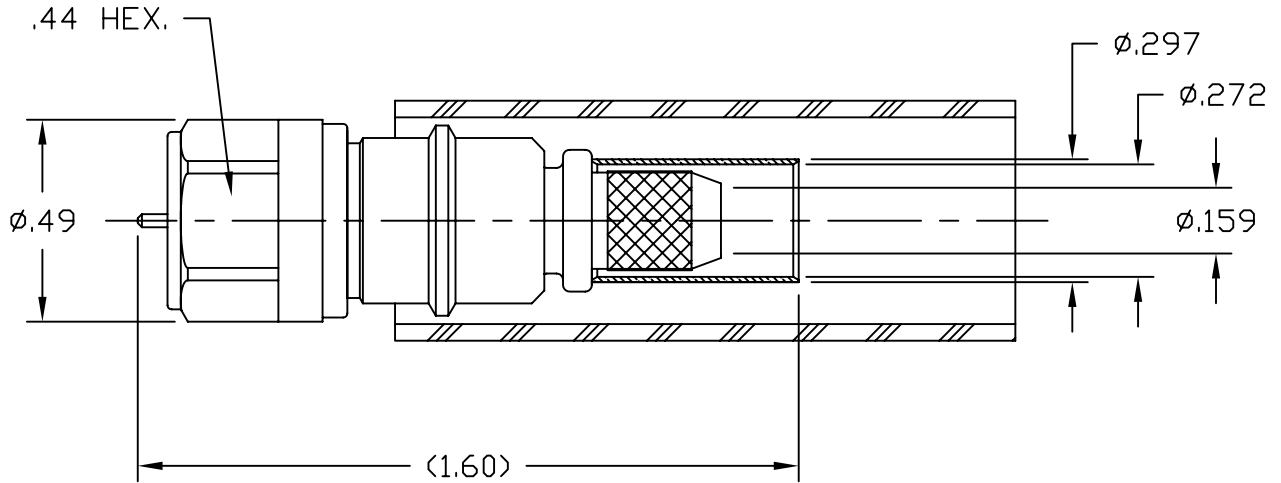


SYM	REVISION DESCRIPTION	DFTM	DATE	APPD	DATE
-	RELEASED FOR PRODUCTION	J. C. L.	3/22/04	J. C. L.	3/22/04
A	CHANGED PER CDC #27492	D. J. H.	10/22/07	J. D. B.	10/23/07



- 1.0 PERFORMANCE
- 1.1 FREQUENCY RANGE: DC-1.5GHz
- 1.2 VOLTAGE RATING: 1000V RMS (sea level)
- 1.3 NOMINAL IMPEDANCE: 75 OHMS
- 1.4 DWV: 1000V RMS @ 60Hz (sea level)
- 1.5 TEMPERATURE RANGE: -40°C TO +70°C
- 1.6 VSWR: 1.35:1 (max) up to 1.5GHz
- 1.7 INSERTION LOSS:  $0.15 \times \sqrt{f_{ghz}}$
- 2.0 MATERIALS
- 2.1 DIELECTRIC: TEFLON, ASTM-D-1710
- 2.2 CENTER CONTACT: BERYLLIUM COPPER PER ASTM-B-196
- 2.3 CRIMP FERRULE: DHP SOFT COPPER, CDA 122, SOFT TEMPER
- 2.4 LOCKING RING: PHOSPHOR BRONZE, ASTM-B-159, ALLOY 510
- 2.5 ALL OTHER METAL PARTS: BRASS, ASTM-B-16
- 2.6 GASKET: SILICON RUBBER, ZZ-R-765, GR. 50, RED
- 2.7 SHRINK SLEEVE: THICK WALL POLYOLEFIN, MIL-I-25053/4, CLASS 3, BLACK
- 3.0 FINISHES
- 3.1 CENTER CONTACT: GOLD
- 3.2 ALL OTHER METAL PARTS: NICKEL
- 4.0 MECHANICAL
- 4.1 INTERFACE IN ACCORDANCE WITH EIA STD. 550 THIS IS A 75 OHM CONNECTOR WHICH WILL ACCEPT AN LMR-240-75 CABLE

MATL:	UNLESS OTHERWISE SPECIFIED		DFTM. J. C. L.	TIMES MICROWAVE SYSTEMS
	ALL DIMENSIONS ARE IN INCHES MACHINED SURFACES FINISH N/A RMS MAX. REMOVE ALL BURRS .005 MAX. BREAK MACHINE CORNERS .005 MAX. FILLET R. TOLERANCES ON DECIMALS .XX ± .03 .XXX ± .005 ANGLES ± 1° FRACTIONS ± 1/32		DATE 3/22/04	
USED ON: A			CHKD. J. C. L.	TYPE F MALE STRAIGHT PLUG FOR LMR-240-75 CABLE (EZ-240-FMH-75)
			DATE 3/22/04	
SCALE: N/A	DWG. SIZE A	DO NOT SCALE DRAWING	APPD. J. C. L.	
		CODE IDENT 68999	DATE 3/22/04	1 of 1 SD3190-1613 REV A