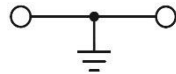


Part number: **10134283-001LF**

Screw ground terminal blocks - yellowgreen  
 Screw connection - 6mm<sup>2</sup> / 8AWG - Width 8 mm



### GENERAL DATA

Item	<b>10134283</b>
Weight/Piece	<b>56.8 g</b>
Colour	<b>YellowGreen</b>
Q.ty p.pck.	<b>25</b>

### TECHNICAL DATA / DIMENSIONS

#### Dimensions

Width mm (in.)	12 (0.47)
Length mm (in.)	58 (2.28)
Height mm (in.)	49 (1.93)
Mounting type (EN 60715)	Omega TH35

#### Technical data

Maximum load current	-
Insulating material	PA
Self-extinguishing degree acc. to UL94	V2
Rated surge voltage	6KV
Pollution degree	3
Surge voltage category	III
Insulating material group	I
Nominal Voltage	-
Nominal Current	-
Temperature index, insulating material – Elec. UL 746 B - RTI	130°C
Static insulating material lower permissible temperature	-60°C

#### Connection data

Conductor cross-section solid min/max	1.5 / 25 mm <sup>2</sup>
Conductor cross-section stranded min/max	1.5 / 16 mm <sup>2</sup>

AWG min/max	14-4 AWG
Max conductor cross-section stranded with ferrule with plastic sleeve	16 mm <sup>2</sup> / L=12mm
Stripping length	max 14 mm
Screw	M5 – Zinc plated steel
Tightening torque	2Nm / 30 Lb-In
Earth Screw	M3.5 – Zinc plated steel
Tightening torque	0.8Nm / 10 Lb-In
Clamp	Zinc plated steel
Metal part	Zinc plated steel

## APPROVALS

### RINA

**EN60947-7-2**      25mm<sup>2</sup>

**EN60068-2-11**      Salt mist test for 96 hours

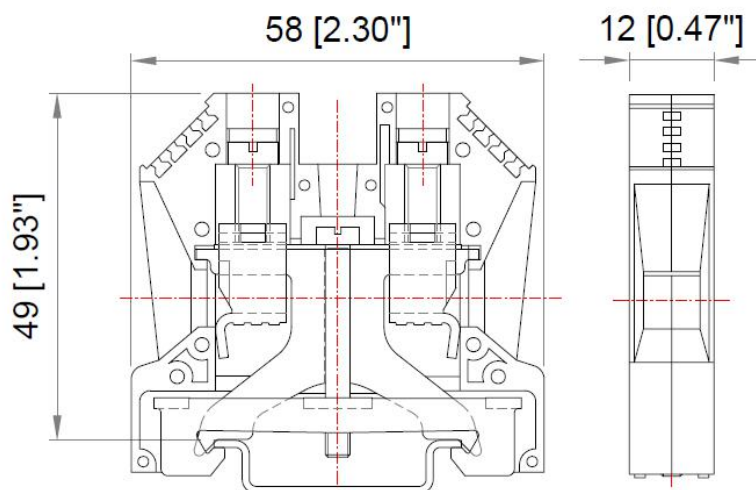
**ENEL DV27**



**UL1059**  
E203985

AWG 14-4

## TECHNICAL DRAWINGS



## ACCESSORIES

### Marking

Item	Description
<b>10134398-001LF</b>	Single-digit marking tag (5 x 3 mm) - white
<b>10134398-002LF ~ 10134398-011LF</b>	Single-digit marking tag (5 x 3 mm) – with marking: 0 ~ 9
<b>10134398-012LF ~ 10134398-041LF</b>	Single-digit marking tag (5 x 3 mm) – with marking: A ~ Z
<b>10134401-001LF</b>	Marking tags (6 x 12 mm) - white ( <i>special marking on request</i> )

### DIN RAIL system - Mounting and Installation material

Item	Description
<b>10134389-001LF</b>	End bracket width 9
<b>10134390-001LF</b>	End bracket width 6
<b>10134391-001LF</b>	Snap-on end bracket width 6