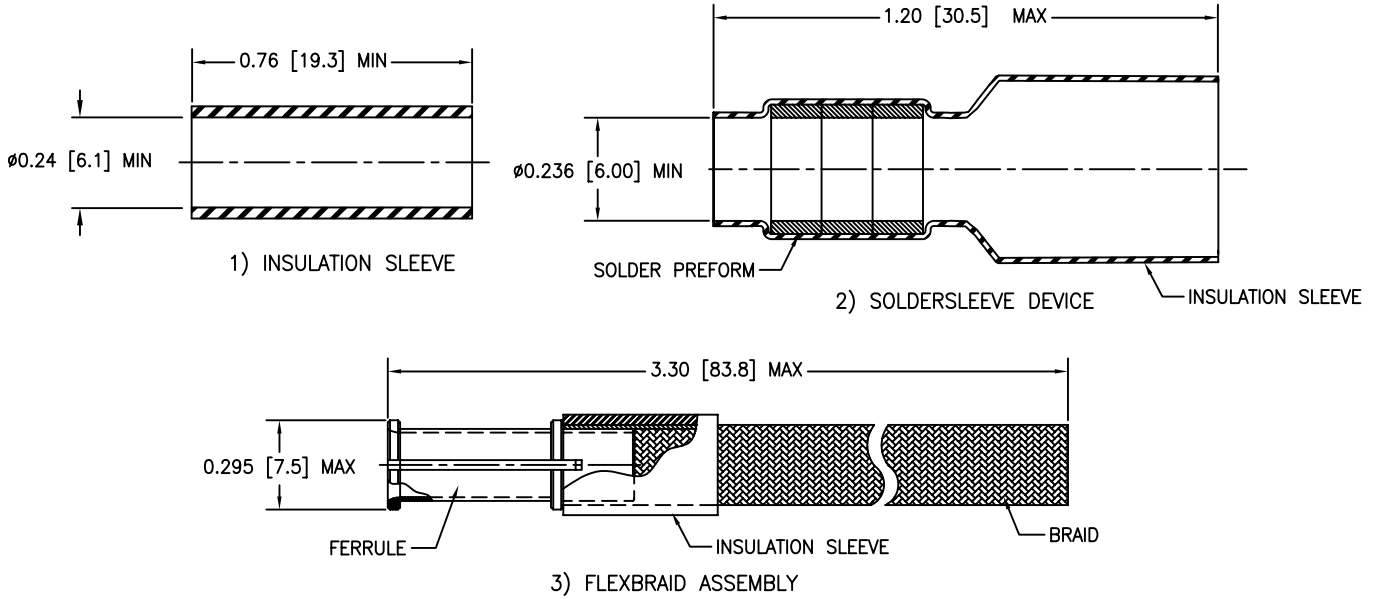


THIS DRAWING AND THE INFORMATION SET FORTH HEREON ARE THE PROPERTY OF TYCO ELECTRONICS CORPORATION, AND ARE TO BE HELD IN TRUST AND CONFIDENCE. PUBLICATION, DUPLICATION, DISCLOSURE, OR USE FOR ANY PURPOSE NOT EXPRESSLY AUTHORIZED IN WRITING BY TYCO ELECTRONICS IS PROHIBITED.

REVISIONS			
LTR	DESCRIPTION	DATE	APPROVED
A1	PRELIMINARY		
B	REVISED PER ECO-09-015832	07/07/09	A. BUI



MATERIALS:

- INSULATION SLEEVE: HEAT-SHRINKABLE, TRANSPARENT BLUE, RADIATION CROSS-LINKED POLYVINYLIDENE FLUORIDE.
- SOLDERSLEEVE DEVICE:
 INSULATION SLEEVE: HEAT-SHRINKABLE, TRANSPARENT BLUE, RADIATION CROSS-LINKED POLYVINYLIDENE FLUORIDE.
 SOLDER PREFORM WITH FLUX:
 SOLDER: Sn96Ag4 PER ANSI/J-STD-006.
 FLUX: ROM1 PER ANSI/J-STD-004.
- FLEXBRAID ASSEMBLY:
 FERRULE: BASE METAL - ALLOY C17200 OR C17300 PER ASTM B196/-196M
 PLATINGS - ELECTROLESS NICKEL CONFORMING TO SAE AMS-C-26074, CLASS 3, GRADE C
 - CADMIUM OLIVE DRAB CONFORMING TO SAE AMS-QQ-P-416 TYPE II CLASS 3 (500 HOUR SALT SPRAY)

 INSULATION SLEEVE: HEAT-SHRINKABLE, RADIATION CROSS-LINKED POLYVINYLIDENE FLUORIDE.
 BRAID: SILVER PLATED COPPER.

APPLICATION:

- THIS DEVICE IS DESIGNED TO BE USED IN A HEXASHIELDF EMI TERMINATION SYSTEM.

PART NUMBERING: **FLX40-04X-01**



© 2007-2009 Tyco Electronics Corporation. All rights reserved.

CUSTOMER DRAWING

UNLESS OTHERWISE SPECIFIED DIMENSIONS ARE IN INCHES. METRIC DIMENSIONS ARE IN BRACKETS.

DECIMALS
 .XXX ± _____
 .XX ± _____
 ANGLES _____

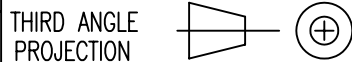
DRAWN	K. YEE	11/21/07
CHECKED		
APPROVED	MPIOZET	11/21/07
REVISED		
CAD NAME:	FLX40-04X-01	



Raychem Interconnect
 300 Constitution Drive
 Menlo Park, CA 94025 U.S.A

TITLE
**FLEXBRAID KIT
 HEXASHIELDF EMI TERMINATION
 SYSTEM**

WEIGHT



SIZE	CODE IDENT. NO.	DWG. NO.	REV
A	06090	FLX40-04X-01	B

DO NOT SCALE THIS DRAWING SHEET 1 OF 1