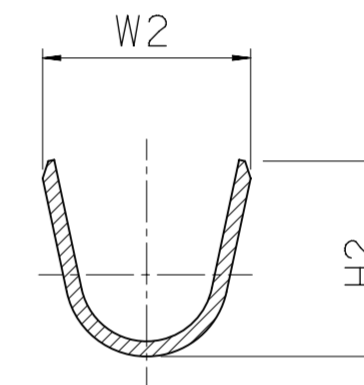
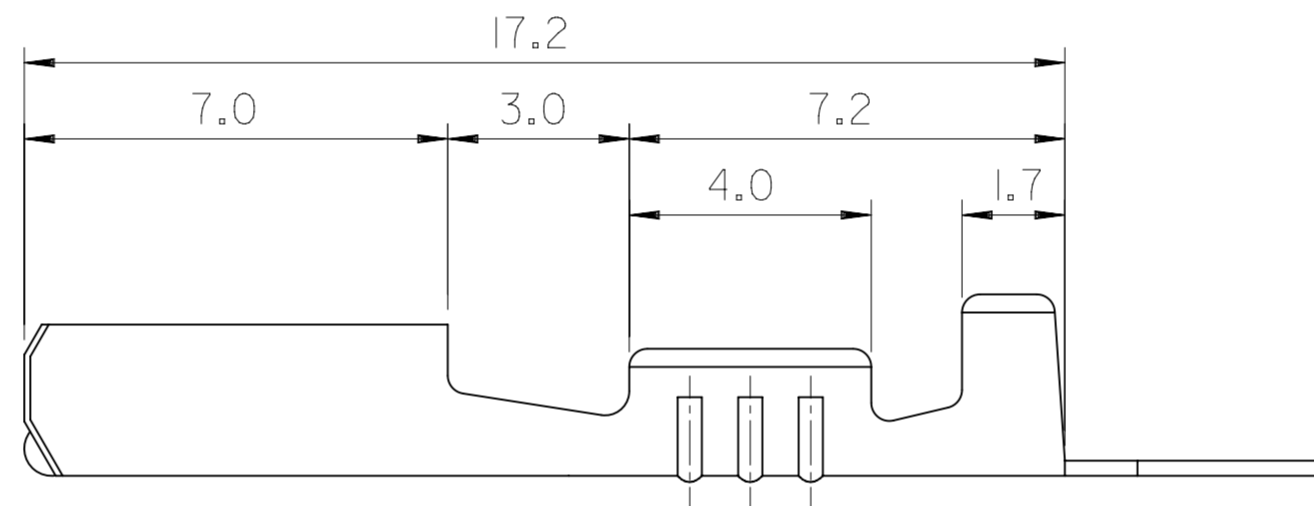
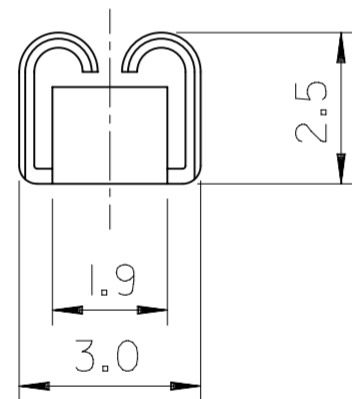


SECTION: A-A"



SECTION: B-B"



NO.	ENG-NO.	TYPE	MATERIAL	WIRE SIZE (mm ²)	DIMENSION			
					W1	H1	W2	H2
1	35768-0120	(S)	COPPER ALLOY	0.3 - 0.5	2.3	2.1	3.4	3.0
2	35768-0220	(L)	COPPER ALLOY	0.85 - 1.25	3.8	3.1	4.0	4.3

NOTE

- MATERIAL: THICK=0.25
 1-1)BRASS(35982-5017):35768-0110
 1-2)COPPER ALLOY(35981-0005):35768-0120,35768-0220
- FINISH: PRE-TIN PLATED
- RECOMMENDED LENTH OF WIRE STRIP: 5.0-6.0mm

THIS DRAWING CONTAINS INFORMATION THAT IS PROPRIETARY TO MOLEX ELECTRONIC TECHNOLOGIES, LLC AND SHOULD NOT BE USED WITHOUT WRITTEN PERMISSION

DIMENSION UNITS IN/MM		SCALE 1:1		CURRENT REV DESC:				molex							
GENERAL TOLERANCES (UNLESS SPECIFIED)				EC NO: 624787											
4 PLACES ±		MM		INCH		DRWN: RPRABHUM 2019/05/20		090 SLIP-ON REC. TERMINAL							
3 PLACES ±						CHK'D: GGA 2019/11/11									
2 PLACES ±						APPR: GGA 2019/11/11		PRODUCT CUSTOMER DRAWING							
1 PLACE ±						INITIAL REVISION:									
0 PLACES ±						DRWN:		DOCUMENT NUMBER		DOC TYPE		DOC PART		REVISION	
ANGULAR TOL ± °						APPR:		SD-35768-001		PSD		001		C1	
DRAFT WHERE APPLICABLE MUST REMAIN WITHIN DIMENSIONS				THIRD ANGLE PROJECTION		DRAWING A2-SIZE		SERIES 35768		MATERIAL NUMBER SEE TABLE		CUSTOMER GENERAL MARKET		SHEET NUMBER 1 OF 1	